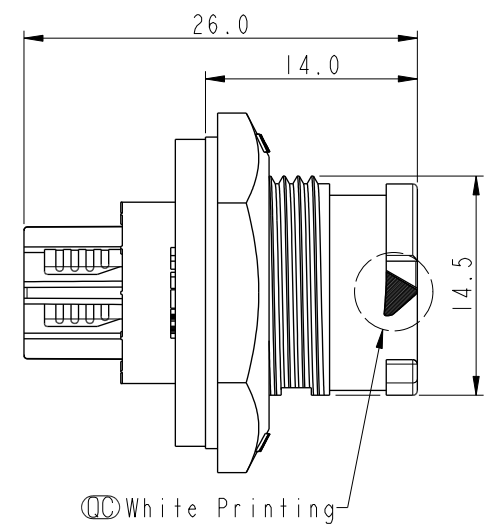
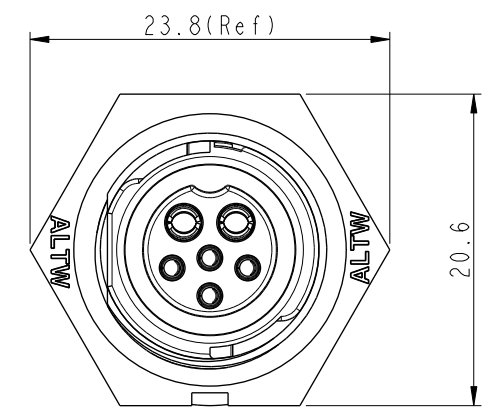
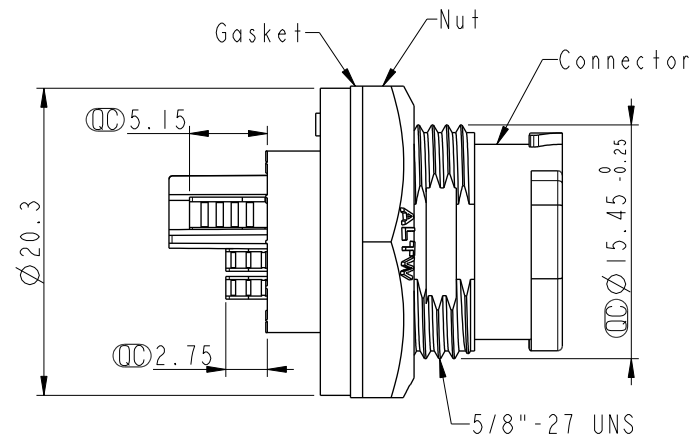


THIS DOCUMENT IS SUBJECT TO CHANGE WITHOUT NOTICE. IT IS CONFIDENTIAL AND A PROPERTY OF Amphenol LTW. DISCLOSURE TO THIRD PARTY HAS TO BE AUTHORIZED BY Amphenol LTW.

REV.	ECN NO.	DATE	SIGN	DESCRIPTION
B	C190411	2019/03/14	Vicky	Change Note
C	C220644	2022/04/27	Ruru	$\triangle C$ X4
D	C230086	2023/01/31	Ruru	$\triangle D$ XI

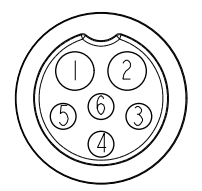
$\triangle C$   
BBD-XXPMFS-QC8001

XX: No. Of Pin



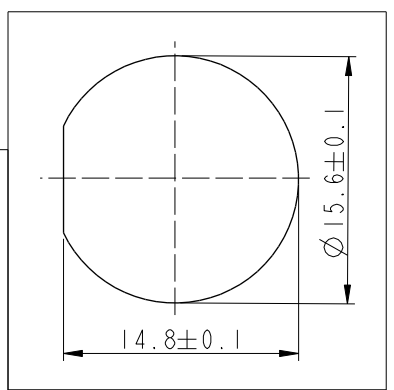
Note:  $\triangle B$   $\triangle C$

- \* RoHS Compliant
- \*  $\text{CC}$  Important dimension
- $\triangle D$  \* Waterproof rate: IP68, unmated 1m/24h
- \* Connector
- Housing: Thermoplastic, Black
- Pin: Copper alloy, Gold plated
- \* Nut: Thermoplastic, Black
- \* Gasket: Rubber, Gray
- \* Use with waterproof cap or dust cap
- Panel thickness max: 3.0mm
- \* Use without waterproof cap or dust cap
- Panel thickness max: 4.0mm
- \* Gasket and nut are packed separately in pe bag



6P

Pin Assignment  
Front View



Recommended  
Panel Cut-out

UNIT:mm TOLERANCE $\pm 0.25$ mm	TITLE XLOK, B-10A+5A, FRONT FASTENED M, F, SOLDER, PUSH LOCK $\triangle C$		
	SCALE 2:1	SIZE A4	SHEET 1 OF 1
	REV. D	WC-REV. A.4	$\text{CC}$ : Inspection item

**Amphenol LTW**  
安費諾亮泰企業股份有限公司

ITEM NO	DRAWN BY Vicky	DATE 2019-03-14
DWG NO BBD-XXPMFS-QC8001 $\triangle C$	CHECKED BY Rita	DATE 2019-03-14
CUSTOMER ALTW	APPROVED BY Max	DATE 2019-03-14