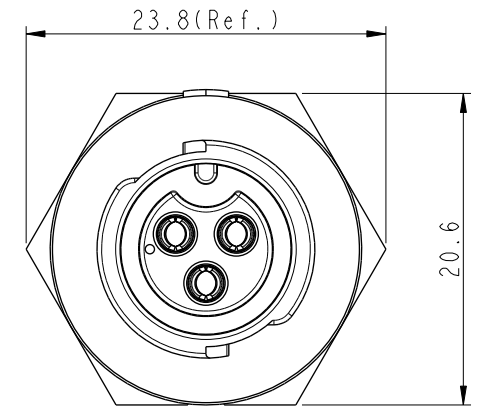
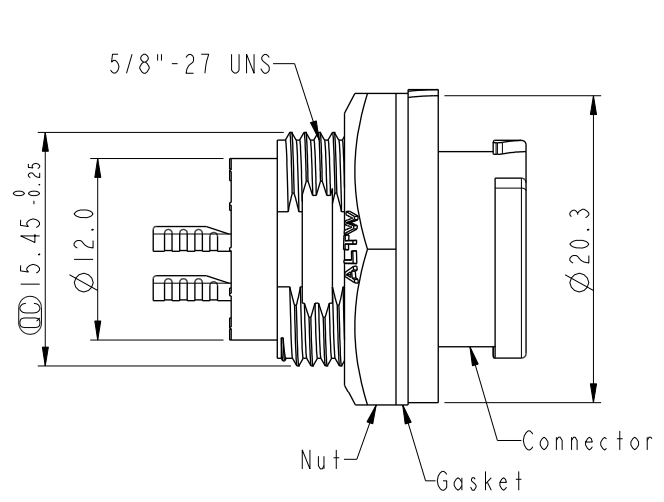
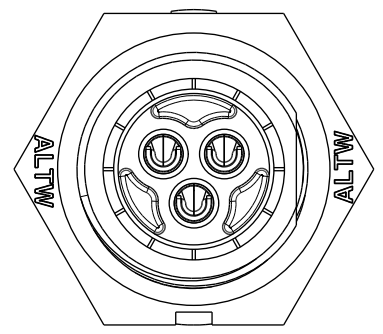
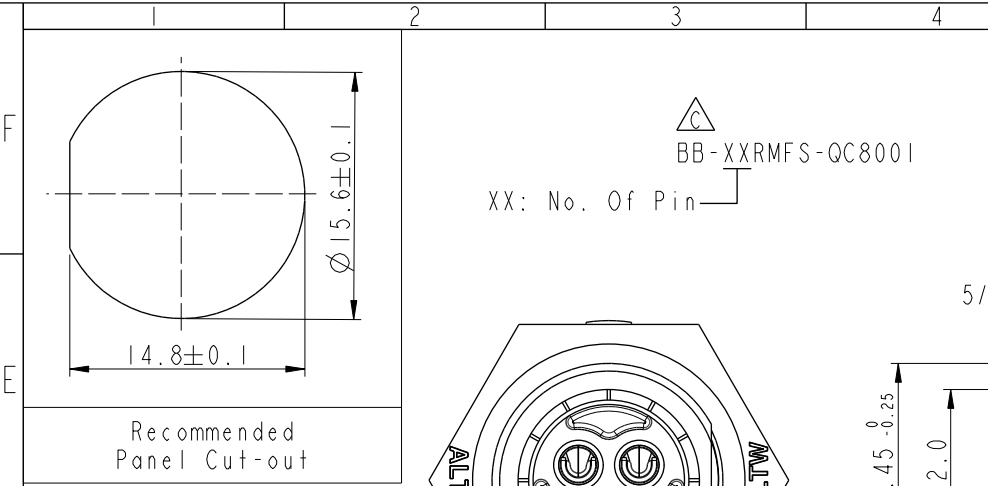
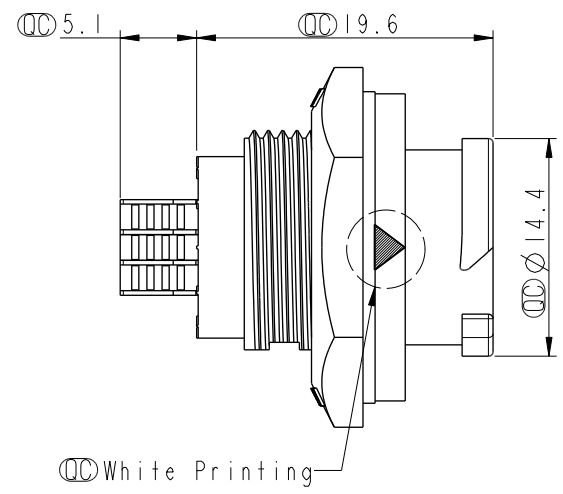
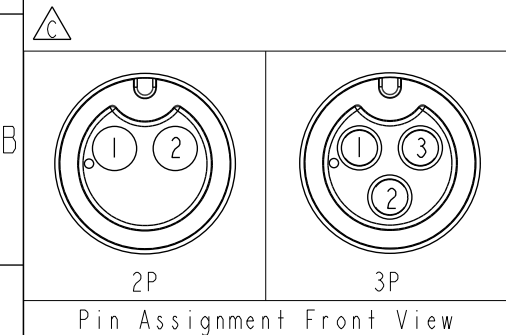


THIS DOCUMENT IS SUBJECT TO CHANGE WITHOUT NOTICE. IT IS CONFIDENTIAL AND A PROPERTY OF Amphenol LTW. DISCLOSURE TO THIRD PARTY HAS TO BE AUTHORIZED BY Amphenol LTW.

REV.	ECN NO.	DATE	SIGN	DESCRIPTION
B	C190411	2019/03/14	Vicky	Change Note
C	C220466	2022/04/13	Ruru	$\triangle C$ X5
D	C230086	2023/01/31	Ruru	$\triangle D$ XI



Recommended Panel Cut-out



- Note: $\triangle B$ $\triangle C$
- * RoHS Compliant
 - * CC Important dimension
 - $\triangle D$ * Waterproof rate: IP68, unmated 1m/24h
 - * Connector
 - Housing: Thermoplastic, Black
 - Pin: Copper alloy, Gold plated
 - * Nut: Thermoplastic, Black
 - * Gasket: Rubber, Gray
 - * For panel thickness max: 4.5mm
 - * Gasket and nut are packed separately in pe bag

UNIT:mm TOLERANCE .X ± 0.25 mm	TITLE XLOK, B-10A, REAR FASTENED M, F, SOLDER, PUSH LOCK $\triangle C$	
	SCALE 2:1	SIZE A4
	REV. D	WC-REV. A.3
	CC : Inspection item	

Amphenol LTW
安費諾亮泰企業股份有限公司

ITEM NO.	DRAWN BY Vicky	DATE 2019-03-14
DWG NO. BB-XXRMFS-QC8001 $\triangle C$	CHECKED BY Rita	DATE 2019-03-14
CUSTOMER ALTW	APPROVED BY Max	DATE 2019-03-14