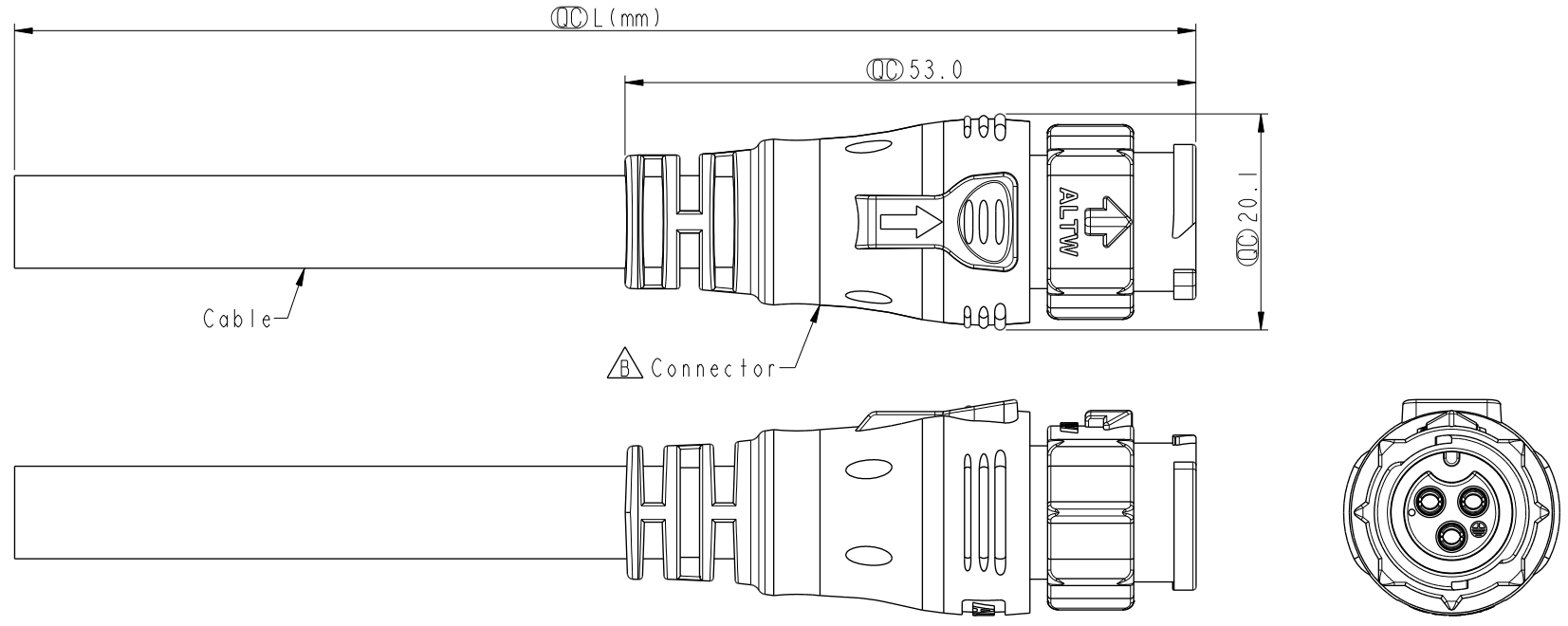


THIS DOCUMENT IS SUBJECT TO CHANGE WITHOUT NOTICE. IT IS CONFIDENTIAL AND A PROPERTY OF AMPHENOL LTW. DISCLOSURE TO THIRD PARTY HAS TO BE AUTHORIZED BY AMPHENOL LTW.

REV.	ECN NO.	DATE	SIGN	DESCRIPTION
B	LE31680197	2016/07/30	Tom Gu	Change Part No. of Half Finished
C	C220458	2022/04/06	Ruru	$\triangle C$ X8
D	C230120	2023/02/03	Ruru	$\triangle D$ XI



Note: $\triangle C$
 * RoHS Compliant
 * CC Important dimension
 $\triangle D$ * Waterproof rate: IP68, mated 1m/24h
 * Connector
 Housing: Thermoplastic, Black
 Pin: Copper Alloy, Gold Plated
 Outer mold: Thermoplastic, Black
 * Cable: UL21388, PVC Jacket, Black
 * Cable length tolerance: IM: +50/-0 mm
 1M < L \leq 3M: +100/-0 mm
 3M < L \leq 5M: +150/-0 mm
 5M < L \leq 10M: \pm 100 mm
 10M < L \leq 20M: \pm 200 mm
 20M < L \leq 30M: \pm 300 mm
 30M < L \leq 99M: \pm 500 mm

UNIT: mm		
TOLERANCE	± 0.5 mm	

TITLE XLOK, B-10A, CABLE W/SR M, F, MOLDING, PUSH LOCK $\triangle C$		
SCALE 3:2	SIZE A4	SHEET 1 OF 2
REV. D	WC-REV. A.2	CC : Inspection item

Amphenol LTW
 安費諾亮泰企業股份有限公司

ITEM NO	DRAWN BY Tom Gu	DATE 2016-07-30
DWG NO BB-XXAMFM-QL8EXX $\triangle C$	CHECKED BY Spring Liu	DATE 2016-07-30
CUSTOMER ALTW	APPROVED BY Kevin Hu	DATE 2016-07-30

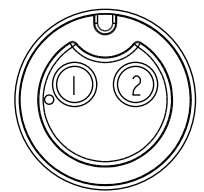
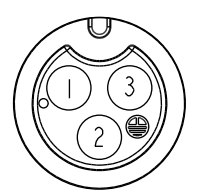
THIS DOCUMENT IS SUBJECT TO CHANGE WITHOUT NOTICE. IT IS CONFIDENTIAL AND A PROPERTY OF Amphenol LTW. DISCLOSURE TO THIRD PARTY HAS TO BE AUTHORIZED BY Amphenol LTW.

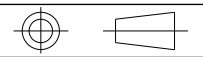
3P		PVC	8.6	16	BB-03AMFM-QL8EXX
2P			8.2		BB-02AMFM-QL8EXX
Contacts	Cable Jacket	Cable OD	AWG	Item No.	

△
BB-XXAMFM-QL8EXX

XX: No. Of Pin

- XX : 01~99Meters
- 01 : 01Meter
- 02 : 02Meters
- ...
- 99 : 99Meters

Pin Out	2 White 白	3 White 白
	1 Black 黑	2 Green 綠
	1 Black 黑	1 Black 黑
	Pin # Wire	Pin # Wire
Conn.		
	2P	3P △
Pin Assignments Front View		

UNIT:mm		TITLE
TOLERANCE	±0.5 mm	XLOK, B-10A, CABLE W/SR M, F, MOLDING, PUSH LOCK △
SCALE	3:2	SIZE A4
REV.	D	WC-REV. A.2
		SHEET 2 OF 2
		QC: Inspection item

Amphenol LTW
安費諾亮泰企業股份有限公司

ITEM NO	DRAWN BY	DATE
DWG NO	CHECKED BY	DATE
CUSTOMER	APPROVED BY	DATE
BB-XXAMFM-QL8EXX △	Tom Gu	2016-07-30
ALTW	Spring Liu	2016-07-30
	Kevin Hu	2016-07-30