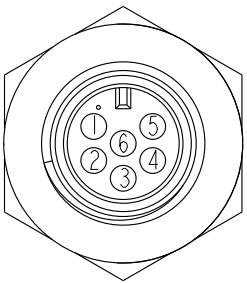
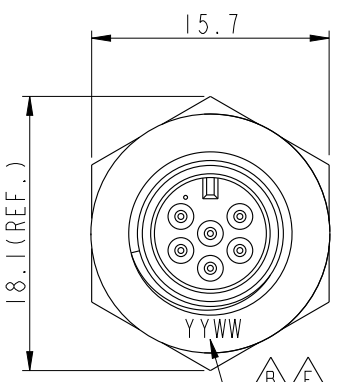
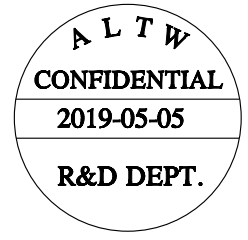
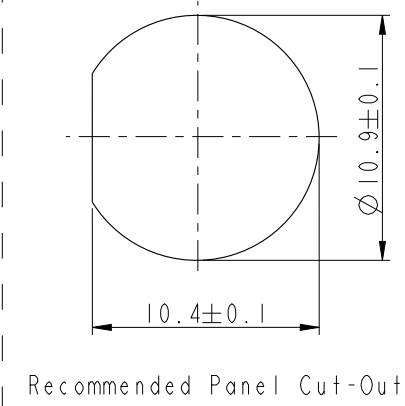
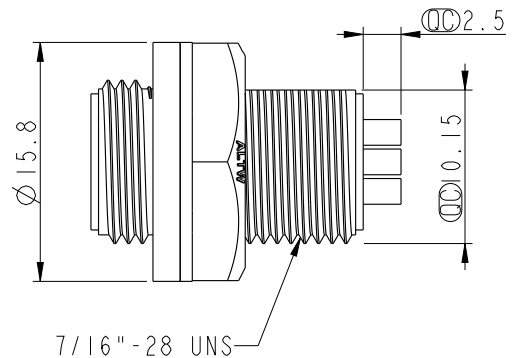


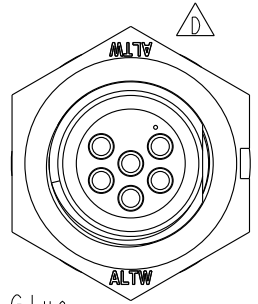
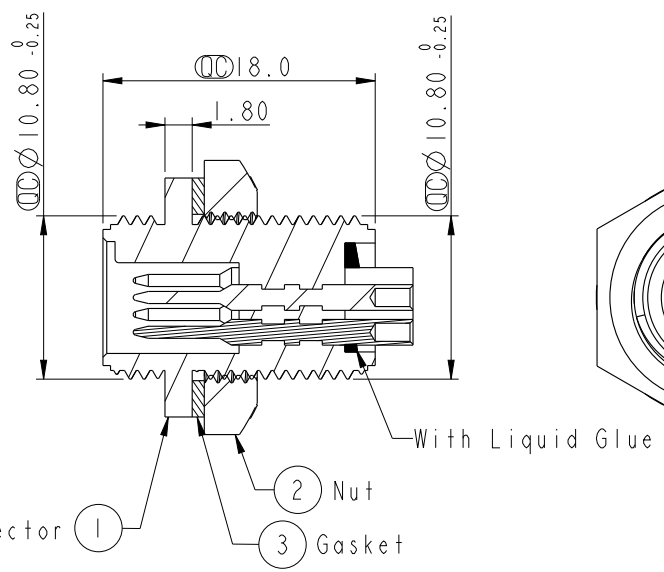
REV.	ECN NO.	DATE	SIGN	DESCRIPTION
D	LEN1741247	2017/04/13	Ruru	Change Logo
E	C190268	2019/02/19	Ruru	Modify Note
F	C190680	2019/05/05	Nan_Su	Change Laser Mark



Pin Assignments  
Front View



Laser Mark



- Note:  $\triangle$
- \*  $\text{CC}$  Important Dimension To Check
  - \* Waterproof Rate: IP67
  - \* Housing: Nylon+GF, Black
  - \* Pin: Copper Alloy, Gold Plated
  - \* Gasket: EPDM, Black
  - \* Nut: Nylon+GF, Black
  - \* Liquid Glue: Clear
  - $\triangle$  \* Use with waterproof cap or dust cap  
Panel Thickness max: 4.0mm
  - $\triangle$  \* Use without waterproof cap or dust cap  
Panel Thickness max: 5.0mm
  - $\triangle$   $\triangle$  \* Laser Mark: YYWW (年+周, 4碼)  
字型 Simplex; 字高 1.2mm.
  - \* Gasket and Nut are packed separately  
in PE bags.

UNIT: mm		
TOLERANCE	.X ±0.25	
.XX	±0.1	
.XXX	±0.05	
ANGLES	±1°	

TITLE Mini Panel Screw 6Pin M Conn. M Pin			
SCALE 2:1	SIZE A4	SHEET 1 OF 1	
REV. F	WC-REV. A.2	$\text{CC}$ : Inspection item	

**Amphenol LTW**  
安費諾亮泰企業股份有限公司

ITEM NO. AU-06RMMS-SC7001	DRAWN BY Nan_Su	DATE 2019-05-05
DWG NO. AU-06RMMS-SC7001	CHECKED BY Feng_Li	DATE 2019-05-05
CUSTOMER ALTW	APPROVED BY Jerry	DATE 2019-05-05

THIS DOCUMENT IS SUBJECT TO CHANGE WITHOUT NOTICE. IT IS CONFIDENTIAL AND A PROPERTY OF AMPHENOL LTW. DISCLOSURE TO THIRD PARTY HAS TO BE AUTHORIZED BY AMPHENOL LTW.