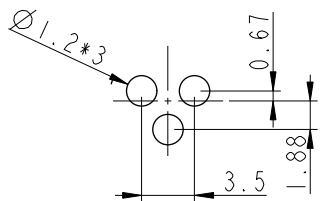
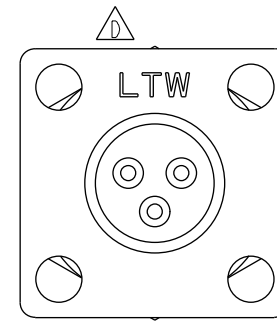
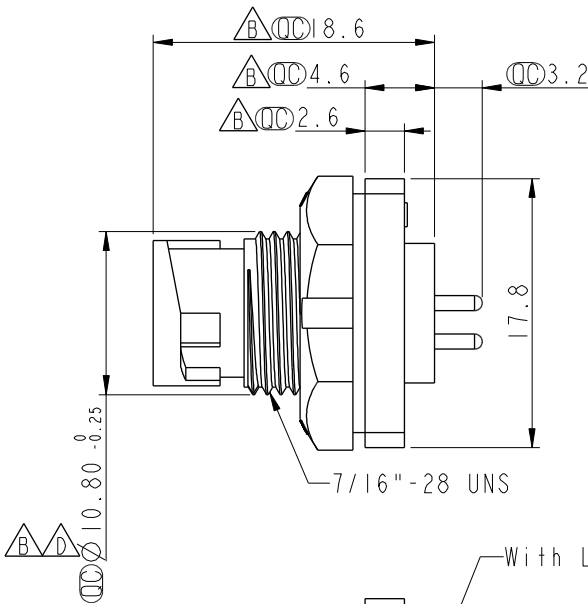
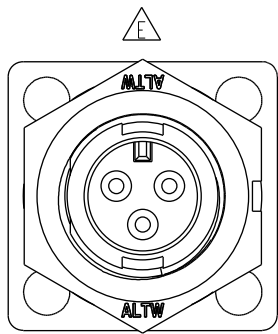
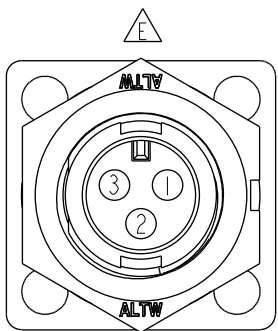


REV.	ECN NO.	DATE	SIGN	DESCRIPTION
D	LEN-9C0090	2009/12/15	Vicky	REF. TO ECR/N. NOTE.
E	LEN1741232	2017/04/13	Ruru	Change Logo
F	CI90268	2019/02/18	Ruru	Modify Note

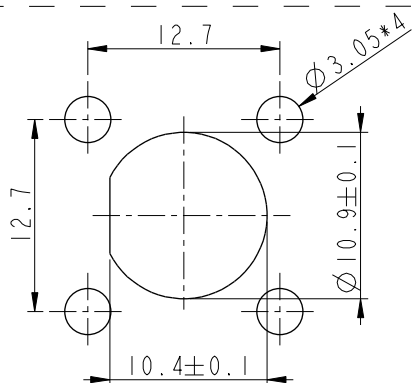
ALTW
CONFIDENTIAL
 2019-02-18
 R&D DEPT.



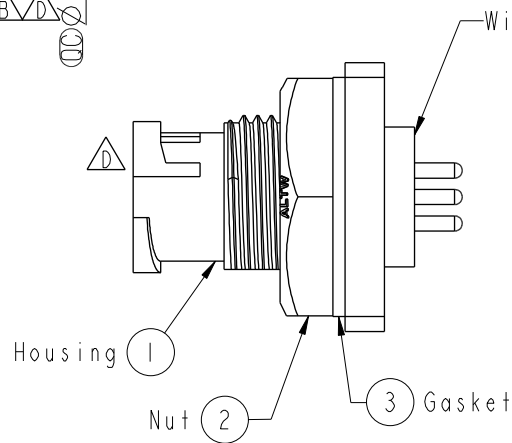
PCB Layout



Pin Assignments
Front View



Recommended Panel Cut-Out



Note: \triangle

- * CC Important Dimension.
- * Waterproof Rate: IP67, Unmated
- * Housing: Thermoplastic, Black
- * Pin: Copper Alloy, Gold Plated
- \triangle * Shield: Metal, Nickel Plated
- * Nut: Thermoplastic, Black
- * Gasket: Rubber, Black
- \triangle * Use with waterproof cap or dust cap
Panel Thickness Max. 2.5mm.
- \triangle * Use without waterproof cap or dust cap
Panel Thickness Max. 3.5mm.
- * Gasket and Nut are packed separately in PE bags.

UNIT:mm		
TOLERANCE		
.X	±0.25	
.XX	±0.1	
.XXX	±0.05	
ANGLES	±1°	

TITLE Mini Panel Lock 3Pin M Conn. M Pin			
SCALE 2:1	SIZE A4	SHEET 1 OF 1	
REV. F	WC-REV. A.2	CC : Inspection item	

Amphenol LTW
 安費諾亮泰企業股份有限公司

ITEM NO. ASD-03PMMP-LS7001	DRAWN BY Ruru	DATE 2019-02-18
DWG NO. ASD-03PMMP-LS7001	CHECKED BY Rita	DATE 2019-02-18
CUSTOMER ALTW	APPROVED BY Max	DATE 2019-02-18

THIS DOCUMENT IS SUBJECT TO CHANGE WITHOUT NOTICE. IT IS CONFIDENTIAL AND A PROPERTY OF Amphenol LTW. DISCLOSURE TO THIRD PARTY HAS TO BE AUTHORIZED BY Amphenol LTW.