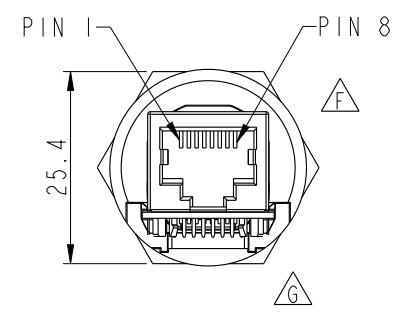
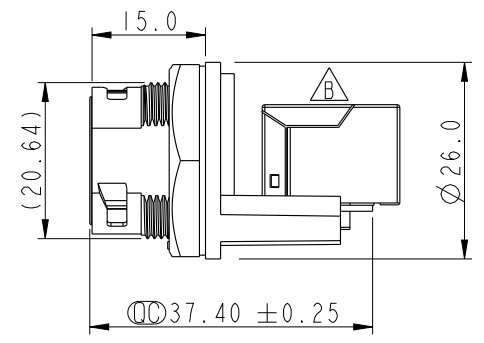
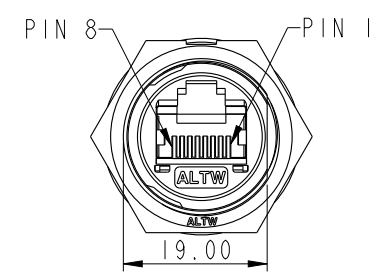
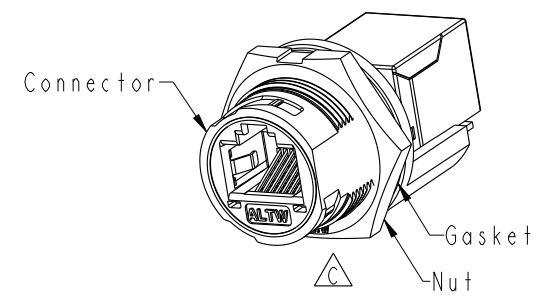
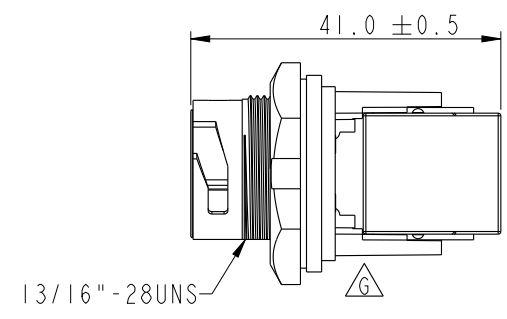
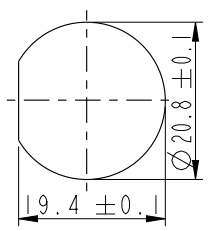


THIS DOCUMENT IS SUBJECT TO CHANGE WITHOUT NOTICE. IT IS CONFIDENTIAL AND A PROPERTY OF AMPHENOL LTW. DISCLOSURE TO THIRD PARTY HAS TO BE AUTHORIZED BY AMPHENOL LTW.

REV.	ECN NO.	DATE	SIGN	DESCRIPTION
E	C220799	2022/05/25	Vicky	△E X2
F	C230022	2023/01/07	Zhi Cheng	△E X2
G	C231529	2023/12/07	Lavy	△G X2



- △F △D △E Note:
- * RoHS Compliant
 - * ⌀ Important dimension
 - * Waterproof rate: IP67, mated
 - * Connector
 - Housing: Thermoplastic, Black, RJ45 jack, shielded
 - * Nut: Thermoplastic, Black
 - * Gasket: Rubber, Gray
 - * Use with waterproof cap or dust cap
 - Panel thickness max: 3.0mm
 - * Use without waterproof cap or dust cap
 - Panel thickness max: 4.2mm
 - * Gasket and nut are packed separately in pe bag



Recommended Panel Cut-Out

UNIT: mm	 	TITLE			ITEM NO	DRAWN BY	DATE
		RJ, C PLASTIC, C5E SHLD FRONT FASTENED, F, PNL JACK S, 3LOCK					
TOLERANCE		SCALE	SIZE	SHEET	DWG NO	CHECKED BY	DATE
.X ±0.25		1:1	A4	1 OF 1	RCP-5SPFFH-TCM7001	Jerry	2023-12-07
.XX ±0.1		REV.	WC-REV.	⌀ Inspection item	CUSTOMER	APPROVED BY	DATE
.XXX ±0.05		G	B.3		ALTW	Fred	2023-12-07
ANGLES ±1°							

Amphenol LTW
安費諾亮泰企業股份有限公司