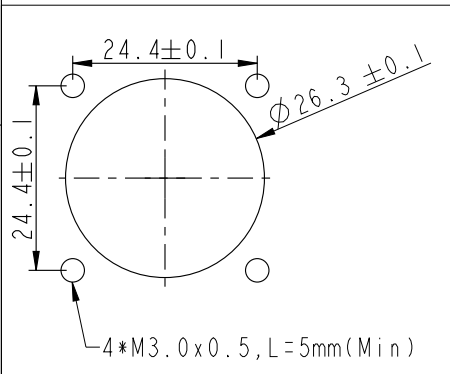
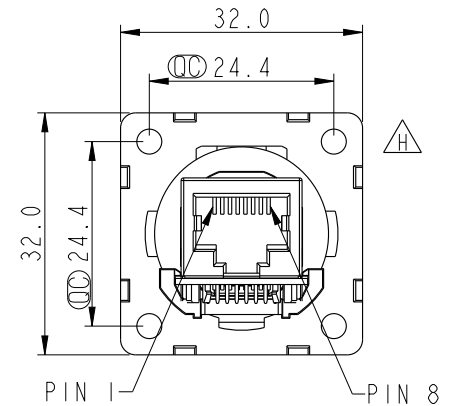
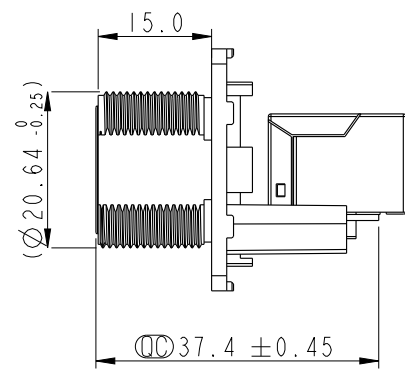
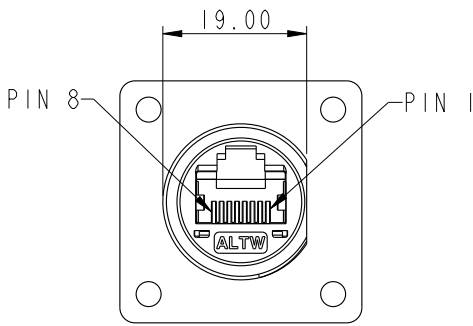
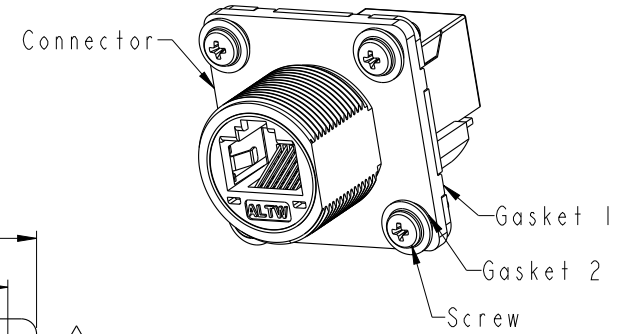
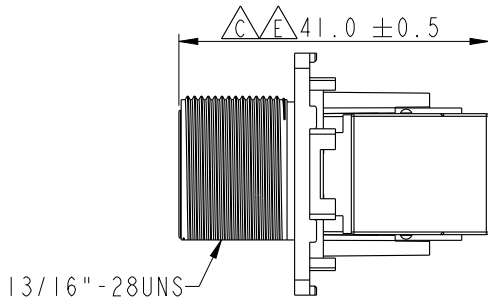


REV.	ECN NO.	DATE	SIGN	DESCRIPTION
F	C190405	2019/03/14	Ruru	Modify Note
G	C220799	2022/05/27	Vicky	$\triangle G$ *3
H	C230022	2023/01/07	Zhi Cheng	$\triangle H$ *2



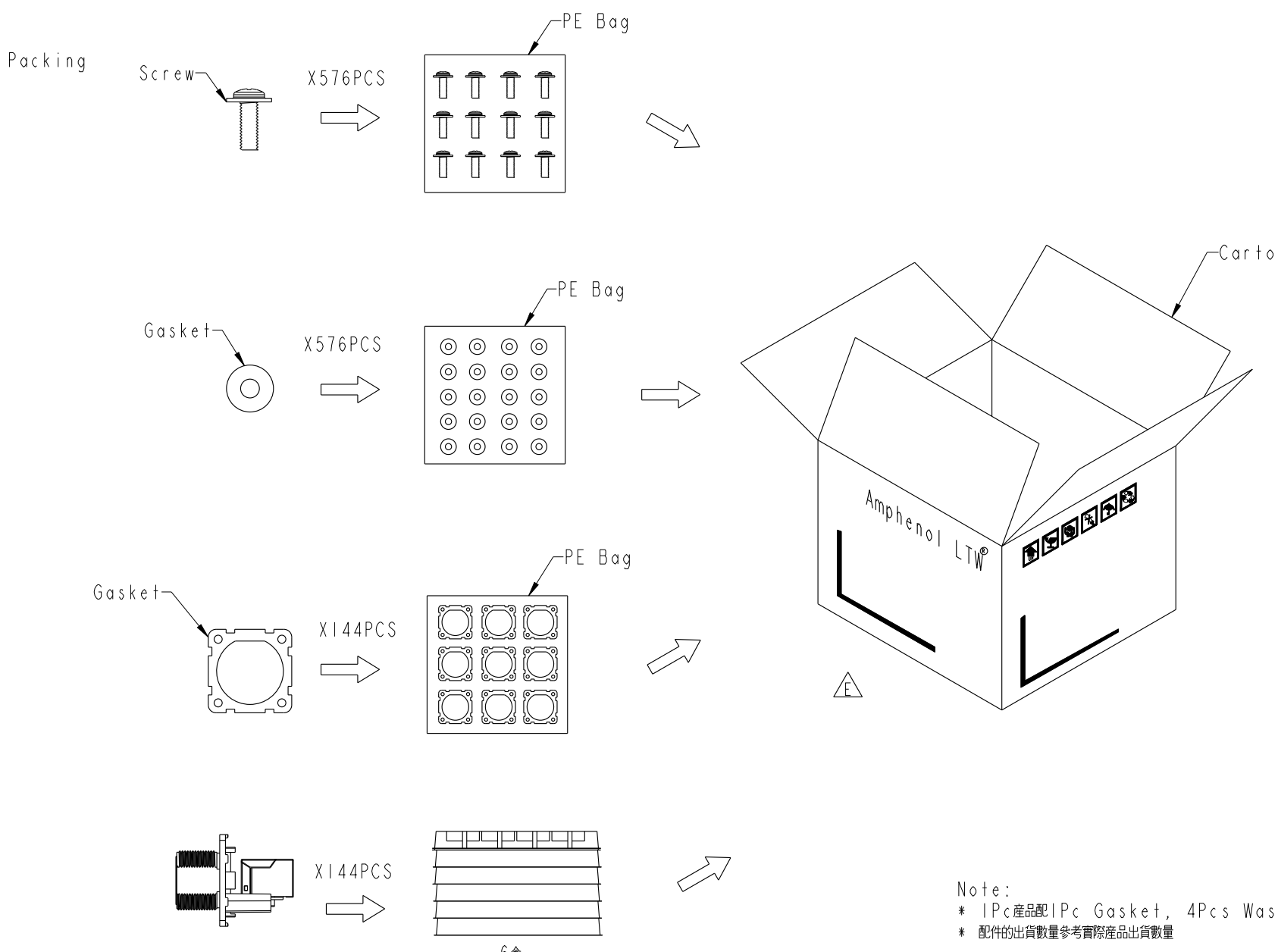
Recommended Panel Cut-Out

- $\triangle H$ $\triangle F$ $\triangle G$ Note:
- * RoHS Compliant
 - * ⌀ Important dimension
 - * Waterproof rate: IP67, mated
 - * Connector
 - Housing: Thermoplastic, Black, RJ45 jack, shielded
 - * Gasket 1: Rubber, Gray
 - * Gasket 2: Rubber, Black
 - * Screw: Metal

UNIT: mm		TITLE			ITEM NO.	DRAWN BY	DATE
		RJ, C PLASTIC, C5E SHLD FRONT FASTENED, F, PNL JACK S, SCREW			RCP-5SPFFH-SSM7001	Ruru	2019-03-14
TOLERANCE		SCALE	SIZE	SHEET	DWG NO.	CHECKED BY	DATE
.X ±0.25		1:1	A4	1 OF 2	RCP-5SPFFH-SSM7001	Rita	2019-03-14
.XX ±0.1		REV.	WC-REV.		CUSTOMER	APPROVED BY	DATE
.XXX ±0.05		H	C.5	⌀ : Inspection item	ALTW	Max	2019-03-14
ANGLES ±1°							

Amphenol LTW
安費諾亮泰企業股份有限公司

THIS DOCUMENT IS SUBJECT TO CHANGE WITHOUT NOTICE. IT IS CONFIDENTIAL AND A PROPERTY OF Amphenol LTW. DISCLOSURE TO THIRD PARTY HAS TO BE AUTHORIZED BY Amphenol LTW.



Note:
 * 1Pc產品配1Pc Gasket, 4Pcs Washer, 4Pcs Screw
 * 配件的出貨數量參考實際產品出貨數量

A	UNIT: mm		TITLE RJ, C PLASTIC, C5E SHLD FRONT FASTENED, F, PNL JACK S, SCREW		<h1 style="margin: 0;">Amphenol LTW</h1> <p style="margin: 0;">安費諾亮泰企業股份有限公司</p>	ITEM NO RCP-5SPFFH-SSM7001	DRAWN BY Ruru	DATE 2019-03-14
	TOLERANCE .X ±0.25 .XX ±0.1 .XXX ±0.05 ANGLES ±1°		SCALE 1:1	SIZE A4	SHEET 2 OF 2	DWG NO RCP-5SPFFH-SSM7001	CHECKED BY Rita	DATE 2019-03-14
			REV. H	WC-REV. C.5	QC: Inspection item	CUSTOMER ALTW	APPROVED BY Max	DATE 2019-03-14