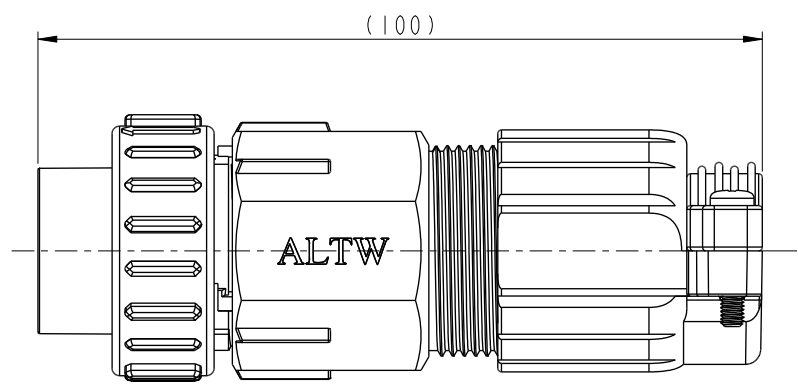
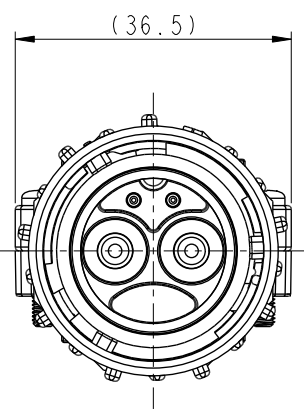
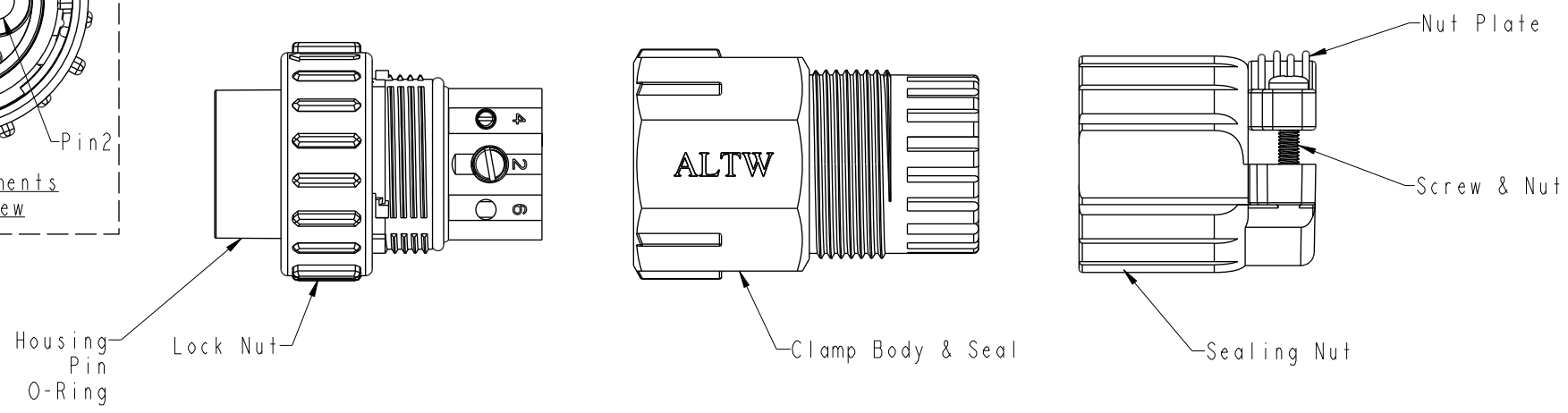
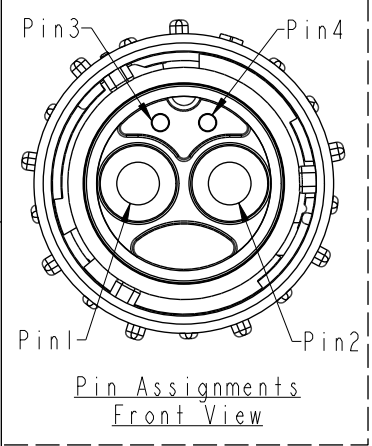


THIS DOCUMENT IS SUBJECT TO CHANGE WITHOUT NOTICE. IT IS CONFIDENTIAL AND A PROPERTY OF Amphenol LTW. DISCLOSURE TO THIRD PARTY HAS TO BE AUTHORIZED BY Amphenol LTW.

REV.	ECN NO.	DATE	SIGN	DESCRIPTION
B	C200846	2020/06/16	Bovan Lu	△B XI
C	C220306	2022/02/25	Kyle Huang	△C XI
D	C231296	2023/10/12	Vicky	△D XI



- △B Note:
- * Waterproof Rate: IP67(Mated).
 - * Housing: Thermoplastic, Black.
 - * Pin: Copper Alloy, Silver Plated. △C
 - * O-Ring: Rubber.
 - * Lock Nut: Thermoplastic, Black.
 - * Clamp Body: Thermoplastic, Black.
 - * Seal: Rubber.
 - * Sealing Nut: Thermoplastic, Black.
 - * Nut Plate: Thermoplastic, Black.
 - * Screw&Nut: Metal.
 - * Other:
- Recommended Cable OD: $\varnothing 14.5 \sim \varnothing 19.0\text{mm}$.
 Recommended Wire Spec:
 Conductor: 8 AWG(8.37mm)
 Insulation OD: 6.8mm Max.
 Recommended Wire Spec(Signal):
 Conductor: 20 AWG~22 AWG(0.52mm ~0.32mm)
 Insulation OD: 3.0mm Max.
 Current Rating: 50A(Power), 2A(Signal).
 Voltage Rating: 600V(Power), 30V(Signal).
- △D* One set unassembled in one pe bag

UNIT:mm			TITLE PWR, 50+2A, 04P, CABLE W/O SR F, M, FISCREWIN, 3LOCK
TOLERANCE $\pm 0.5\text{ mm}$	SCALE 1:1	SIZE A4	SHEET 1 OF 1
REV. D	WC-REV. .0	QC: Inspection item	

Amphenol LTW
安費諾亮泰企業股份有限公司

ITEM NO PWMU-04BFMB-TL7001	DRAWN BY NianPing Yu	DATE 2019/11/29
DWG NO PWMU-04BFMB-TL7001	CHECKED BY Fisher Wang	DATE 2019/11/29
CUSTOMER ALTW	APPROVED BY Max Yang	DATE 2019/11/29