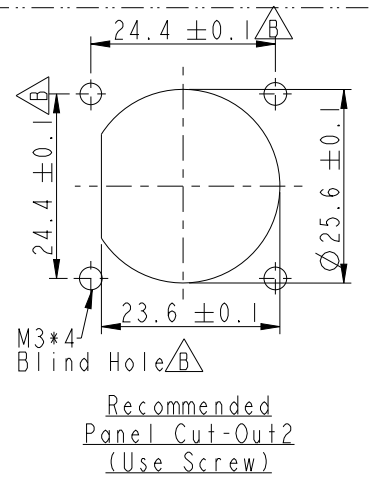
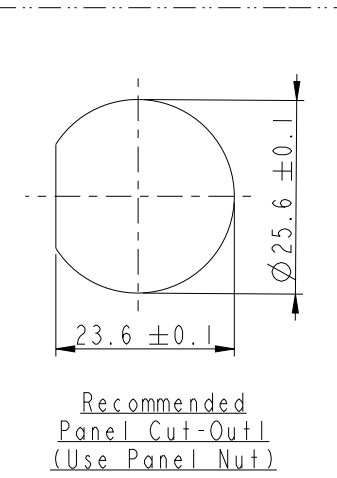
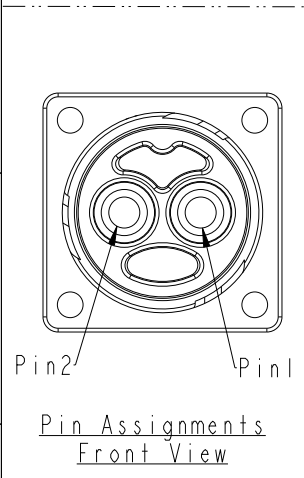
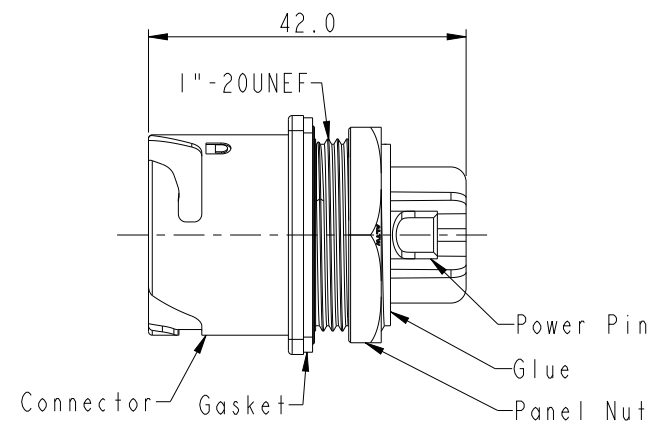
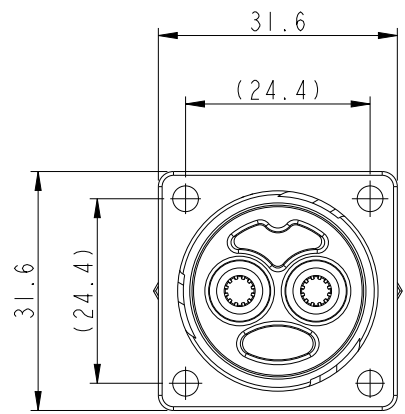


REV.	ECN NO.	DATE	SIGN	DESCRIPTION
A		2019/11/29	NianPing Yu	New initial
B	C200846	2020/06/16	Bovan Lu	$\triangle B$ X4
C	C220306	2022/02/25	Kyle Huang	$\triangle C$ X1



- $\triangle B$ Notes:
- * Waterproof Rate: IP67(Mated).
 - * Connector: Thermoplastic, Black.
 - * Power Pin: Copper Alloy, Silver Plated. $\triangle C$
 - * Gasket: Rubber.
 - * Panel Nut: Thermoplastic, Black.
 - * Use Waterproof Cap or Dust Cap
 - Panel Thickness Max.: 3.0mm.
 - * Without Waterproof Cap or Dust Cap
 - Panel Thickness Max.: 4.0mm.
 - * Other:
 - Recommended Wire Spec(Power):
Conductor: 8 AWG(8.37mm²)
 - Current Rating: 50A.
 - Voltage Rating: 600V.
 - Un-assembly Nut Shipment.

A	UNIT:mm			TITLE	PWR 50A 02P REAR FASTENED M F SOLDER 3LOCK		ITEM NO	PWM-02RMFS-TS7001	DRAWN BY	NianPing Yu	DATE	2019/11/29	
	TOLERANCE ± 0.5 mm			SCALE	1:1	SIZE	A4	DWG NO	PWM-02RMFS-TS7001	CHECKED BY	Fisher Wang	DATE	2019/11/29
	REV.	C	WC-REV.	.0	SHEET	1	OF	1	CUSTOMER	ALTW	APPROVED BY	Max Yang	DATE

Amphenol LTW
安費諾亮泰企業股份有限公司

THIS DOCUMENT IS SUBJECT TO CHANGE WITHOUT NOTICE. IT IS CONFIDENTIAL AND A PROPERTY OF Amphenol LTW. DISCLOSURE TO THIRD PARTY HAS TO BE AUTHORIZED BY Amphenol LTW.