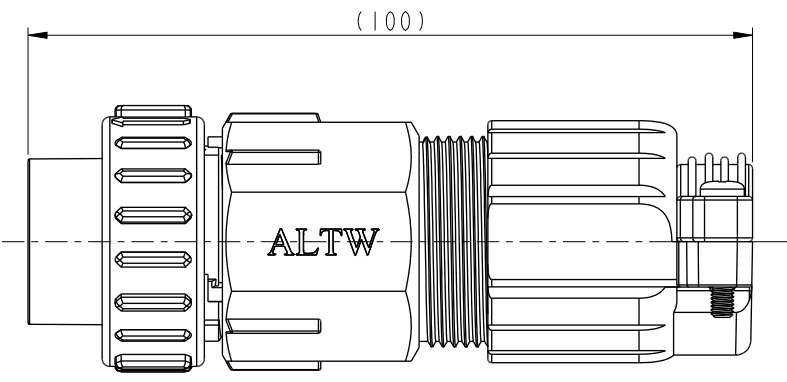
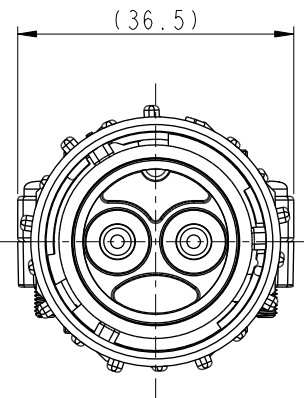
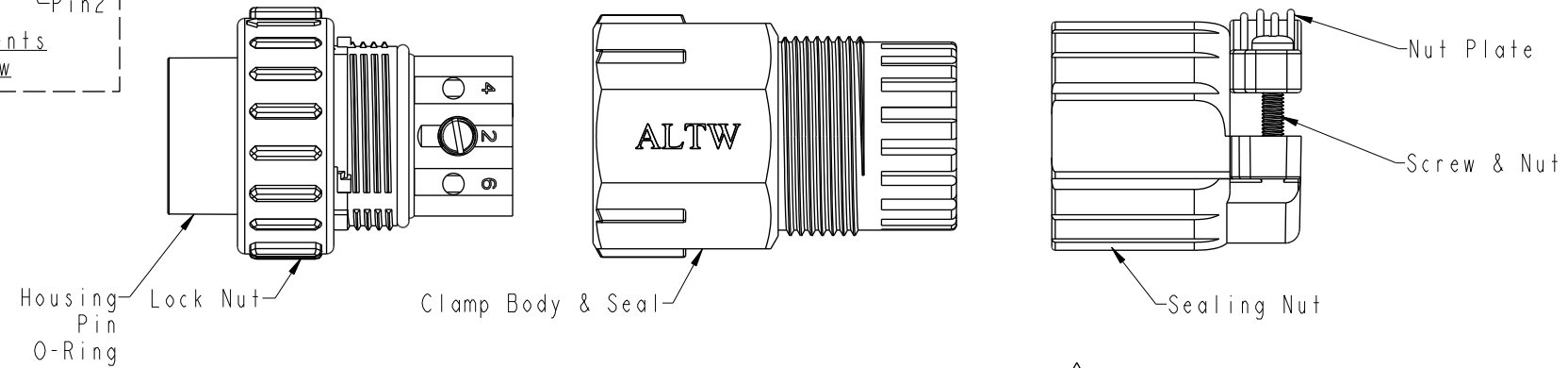
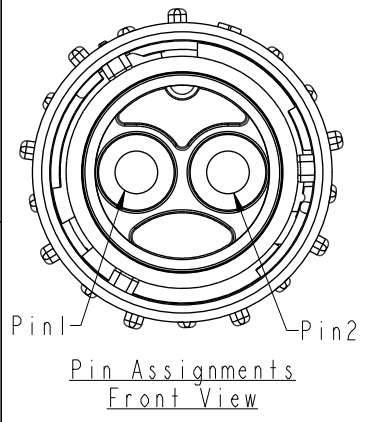


THIS DOCUMENT IS SUBJECT TO CHANGE WITHOUT NOTICE. IT IS CONFIDENTIAL AND A PROPERTY OF AMPHENOL LTW. DISCLOSURE TO THIRD PARTY HAS TO BE AUTHORIZED BY AMPHENOL LTW.

REV.	ECN NO.	DATE	SIGN	DESCRIPTION
B	C200846	2020/06/16	Bovan Lu	$\triangle B$ X1
C	C220306	2022/02/25	Kyle Huang	$\triangle C$ X1
D	C231296	2023/10/12	Vicky	$\triangle D$ X2



- $\triangle B$ Notes:
- * Waterproof Rate: IP67(Mated).
 - * Housing: Thermoplastic, Black.
 - * Pin: Copper Alloy, Silver Plated. $\triangle C$
 - * O-Ring: Rubber.
 - * Lock Nut: Thermoplastic, Black.
 - * Clamp Body: Thermoplastic, Black.
 - * Seal: Rubber.
 - * Sealing Nut: Thermoplastic, Black.
 - * Nut Plate: Thermoplastic, Black.
 - * Screw&Nut: Metal.
 - * Other:
 - Recommended Cable OD: $\varnothing 14.5 \sim \varnothing 19.0$ mm.
 - Recommended Wire Spec:
 - Conductor: 8 AWG(8.37mm)
 - Insulation OD: 6.28mm Max.
 - Current Rating: 50A.
 - Voltage Rating: 600V.
- $\triangle D$ * One set unassembled in one pe bag

UNIT:mm		
TOLERANCE		
±0.5 mm		

TITLE PWR, 50A, CABLE W/O SR F, M, FI/RC SCREW IN, 3LOCK $\triangle D$			
SCALE 1:1	SIZE A4	SHEET 1 OF 1	
REV. D	WC-REV. .0	QC: Inspection item	

Amphenol LTW
安費諾亮泰企業股份有限公司

ITEM NO PWM-02BFMB-TL7001	DRAWN BY NianPing Yu	DATE 2019/11/27
DWG NO PWM-02BFMB-TL7001	CHECKED BY Fisher Wang	DATE 2019/11/27
CUSTOMER ALTW	APPROVED BY Max Yang	DATE 2019/11/27