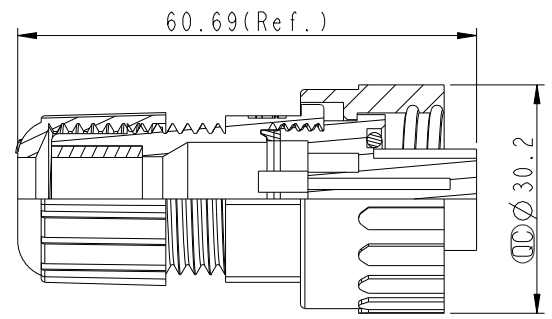
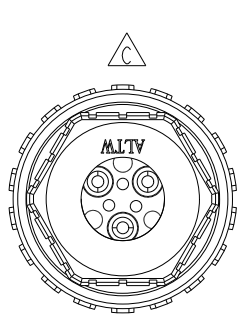
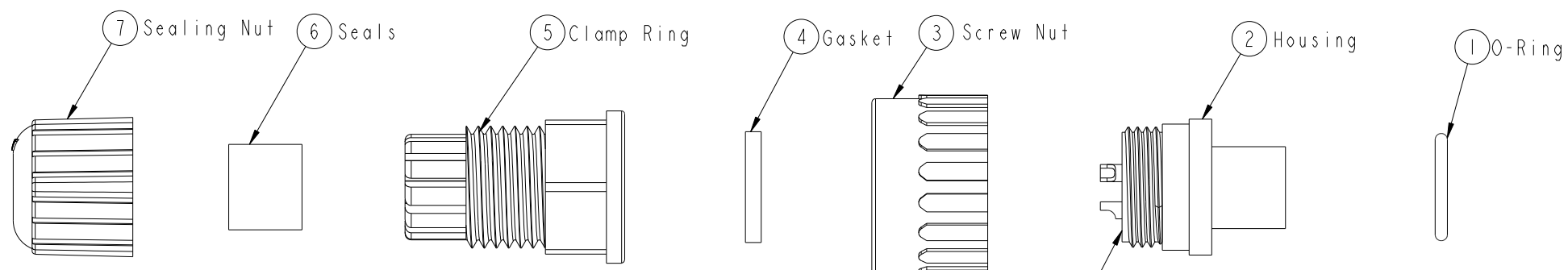


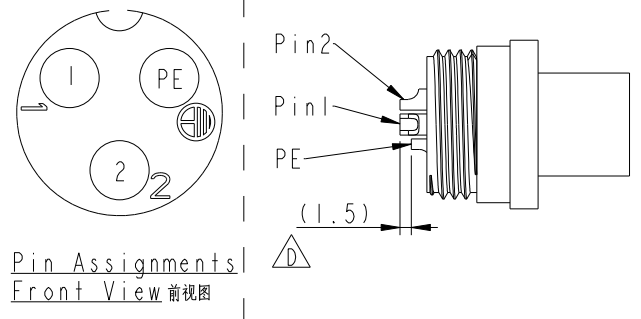
THIS DOCUMENT IS SUBJECT TO CHANGE WITHOUT NOTICE. IT IS CONFIDENTIAL AND A PROPERTY OF Amphenol LTW. DISCLOSURE TO THIRD PARTY HAS TO BE AUTHORIZED BY Amphenol LTW.

REV.	ECN NO.	DATE	SIGN	DESCRIPTION
B	LEN-870143	2008/07/25	Yuri	Update Drawing
C	LEN1580262	2015/05/28	Jinhai	Change Logo
D	C211621	2021/11/30	Li Dai	△DXI

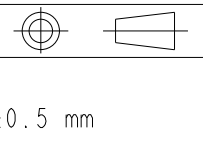


With Liquid Glue
点防水胶

- Note:
- * Waterproof Rate : IP67
 - * \varnothing Important Dimension.
(\varnothing 为重点检验尺寸)
 - * Seals for Cable OD: $\varnothing 5.5\text{mm} \sim \varnothing 10.8\text{mm}$
(防水垫圈限用线径: $\varnothing 5.5\text{mm} \sim \varnothing 10.8\text{mm}$)
 - * One Set Unassembled in One LTW Sealed Bag
(每一组未组装, 放置於一个LTW封口袋)
 - * Housing: Nylon+GF, Black
 - * Female Pin: Copper Alloy, Gold Plated
 - * O-ring: EPDM, Black
 - * Screw Nut: Nylon+GF, Black
 - * Gasket: Silicone, Black
 - * Clamp Ring: Nylon, Black
 - * Seals: EPDM, Black
 - * Sealing Nut: Nylon, Black



UNIT:mm
TOLERANCE
 $\pm 0.5 \text{ mm}$



TITLE Power, Assy Screw 3Pin F Conn F Pin			
SCALE 1:1	SIZE A4	SHEET 1 OF 1	
REV. D	WC-REV. A.2	\varnothing : Inspection item	

Amphenol LTW
安費諾亮泰企業股份有限公司

ITEM NO PWF-03BFFA-SL7001	DRAWN BY Jinhai	DATE 2015-05-28
DWG NO PWF-03BFFA-SL7001	CHECKED BY Tom	DATE 2015-05-28
CUSTOMER ALTW	APPROVED BY Jerry	DATE 2015-05-28