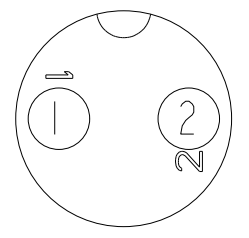
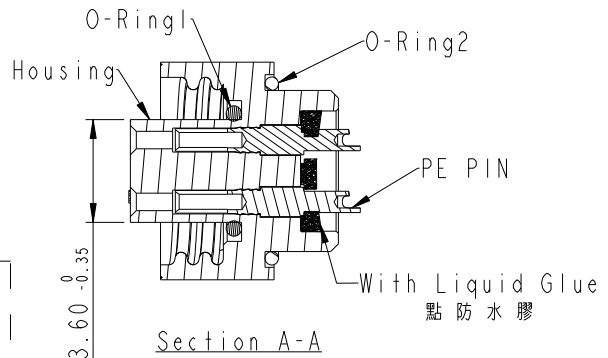
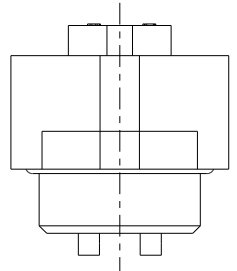
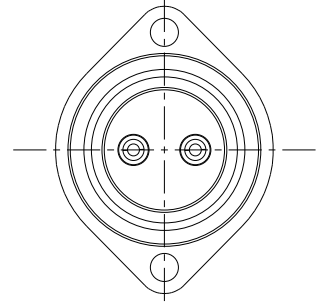
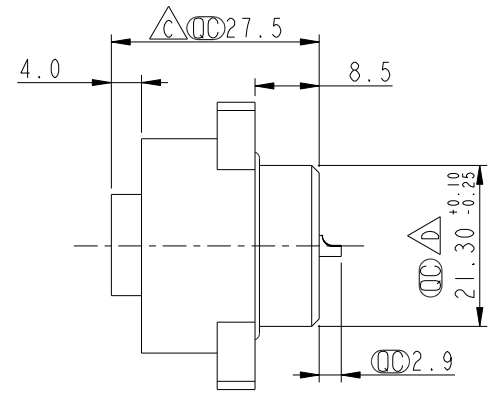
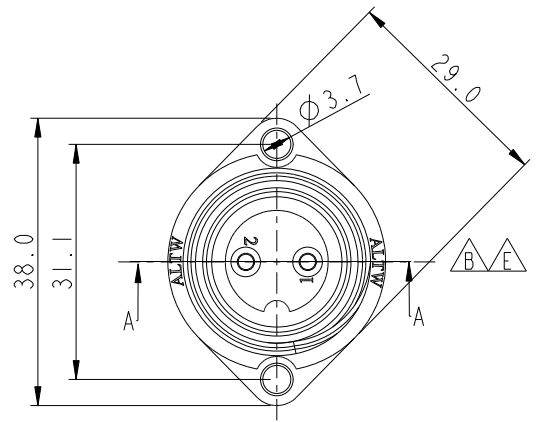
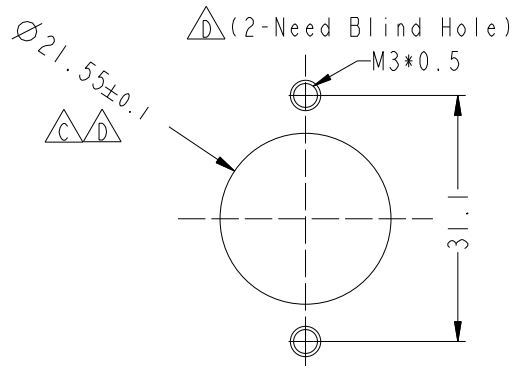


THIS DOCUMENT IS SUBJECT TO CHANGE WITHOUT NOTICE. IT IS CONFIDENTIAL AND A PROPERTY OF Amphenol LTW. DISCLOSURE TO THIRD PARTY HAS TO BE AUTHORIZED BY Amphenol LTW.

REV.	ECN NO.	DATE	SIGN	DESCRIPTION
D	LEN1190163	2011/08/26	Tony	Modify Dimension & Note
E	LEN15A0424	2015/10/13	Ruru	Change Logo
F	C231165	2023/09/07	Kyle Huang	△ F XI



Pin Assignments
Front View 前視圖



Recommended Panel Cut-Out

- Note:
- * \varnothing Important Dimension.
 - * Waterproof Rate: IP67, Mated
 - * One Set in One LTW Sealed Bag (每一組裝, 放置於一個 LTW 封口袋)
 - * Housing: Nylon+GF, Black.
 - * Female Pin: Copper Alloy, Gold Plated
 - * O-Ring1: EPDM 70, Black
 - * O-Ring2: Silicone 60, Gray
 - * Liquid Glue: Clear

UNIT: mm		
TOLERANCE	.X ±0.25	.XX ±0.1
.XXX ±0.05		
ANGLES	±1°	

TITLE Power, Panel Screw 2P F Conn F Pin			
SCALE 1:1	SIZE A4	SHEET 1 OF 1	
REV. F	WC-REV. A.6	\varnothing : Inspection item	

Amphenol LTW
安費諾亮泰企業股份有限公司

ITEM NO. PWF-02PFFS-SC7001	DRAWN BY Ruru	DATE 2015-10-13
DWG NO. PWF-02PFFS-SC7001	CHECKED BY Rita	DATE 2015-10-13
CUSTOMER ALTW	APPROVED BY Lisa	DATE 2015-10-13