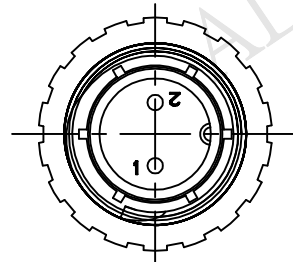
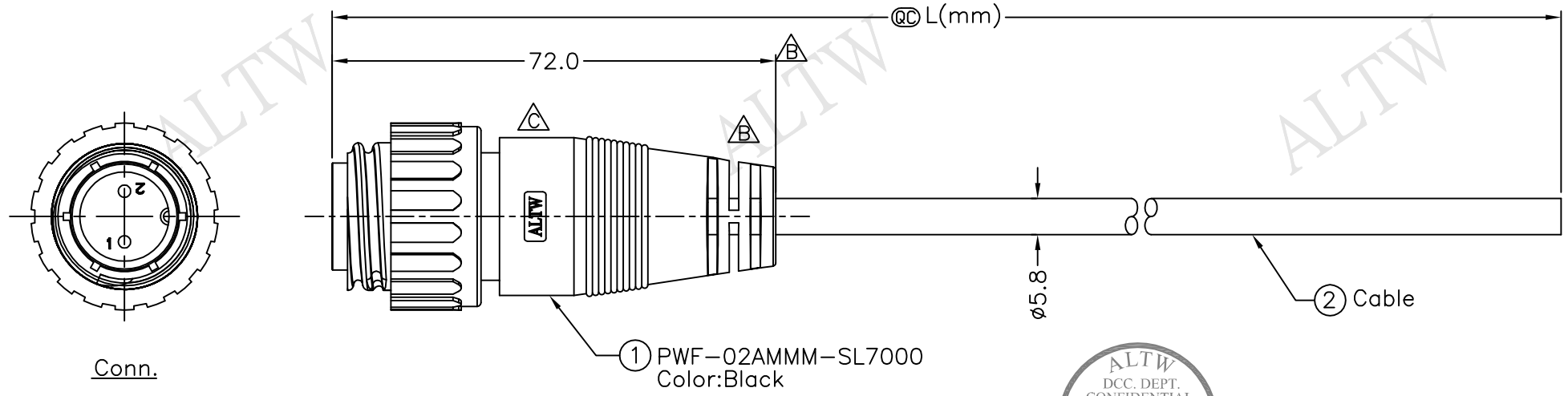
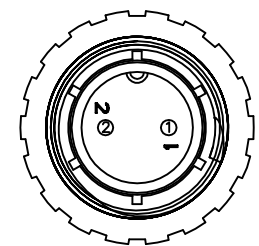


REV.	ECN NO.	DATE	SIGN	DESCRIPTION
B	LEN-940122~5	2009/03/11	Li Xiu Zhi	Change SR & Dimension
C	LEN1730120~123	2017/03/10	Ruru	Change Logo



Conn.



Pin Assignments  
Front View 前視圖



PWF-02AMMM-SL7AXX  
 XX:01~99Meter  
 01:01Meter  
 02:02Meters  
 ...  
 99:99Meters  
 Cable Length(L):01~99Meters

- Note:
- \* @Q Important Dimensions To Check.
  - \* Waterproof Rate: IP67
  - \* Housing: Nylon+GF, Black
  - \* Pin: Copper Alloy, Gold Plated
  - \* Nut: Nylon+GF, Black
  - \* Cable: UL2464 16WG\*2C+T, PVC Jacket UV Resistant, OD=5.8mm, Black
  - \* Cable Length Tolerance:01M:40mm  
 02M~05M:60mm  
 06M~10M:100mm  
 11M~30M:200mm  
 31M~99M:500mm

2	Black	黑
1	Red	紅
Conn.	Wire Color	
	Pin Out	

UNIT:mm	TITLE Power,Cable Screw 2Pin M Conn. M Pin	
TOLERANCE ±0.5mm	SCALE Free	SHEET 1 OF 1
REV. C	SIZE A4	@Q :Inspection Item

**Amphenol LTW**  
 安費諾亮泰企業股份有限公司

ITEM NO	DRAWN BY Ruru	DATE 2017/03/10
DWG NO PWF-02AMMM-SL7AXX	CHECKED BY Rita	DATE 2017/03/10
CUSTOMER ALTW	APPROVED BY Max	DATE 2017/03/10

THIS DOCUMENT IS SUBJECT TO CHANGE WITHOUT NOTICE. IT IS CONFIDENTIAL AND A PROPERTY OF Amphenol LTW. DISCLOSE TO THIRD PARTY HAS TO BE AUTHORIZED BY Amphenol LTW.