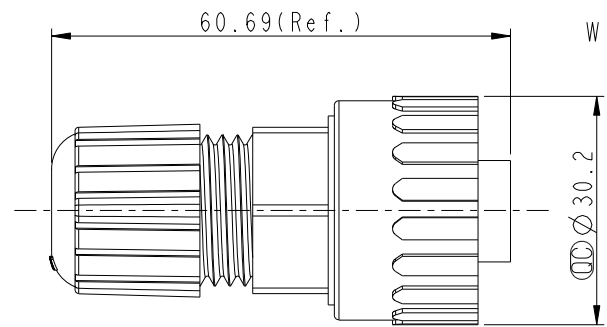
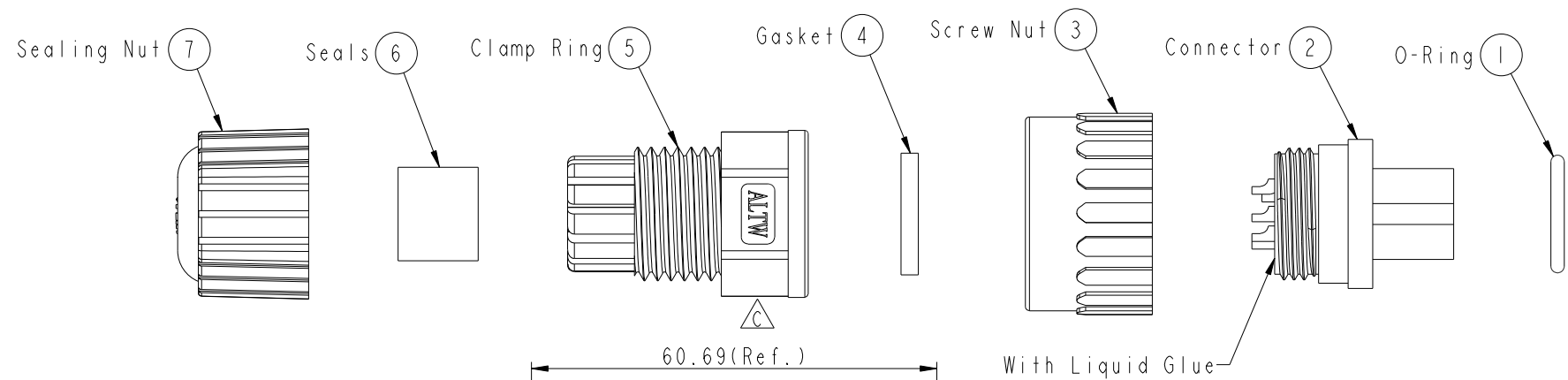
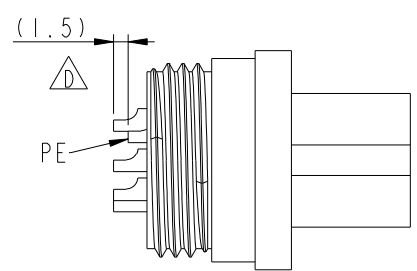
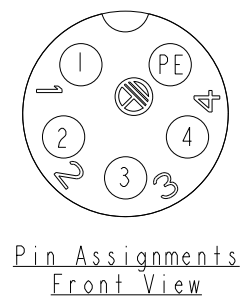


THIS DOCUMENT IS SUBJECT TO CHANGE WITHOUT NOTICE. IT IS CONFIDENTIAL AND A PROPERTY OF Amphenol LTW. DISCLOSURE TO THIRD PARTY HAS TO BE AUTHORIZED BY Amphenol LTW.

REV.	ECN NO.	DATE	SIGN	DESCRIPTION
B	LEN-870137	2008/07/25	Yuri	Update Drawing
C	LEN1741288	2017/04/14	Vicky	Update Logo
D	C211621	2021/11/30	Li Dai	△ XI



- Note:
- * \varnothing Important Dimension
 - * Waterproof Rate: IP67
 - * Seals for Cable OD: $\varnothing 5.5\text{mm} \sim \varnothing 10.8\text{mm}$
(防水墊圈限用线径: $\varnothing 5.5\text{mm} \sim \varnothing 10.8\text{mm}$)
 - * One Set Unassembled in One LTW Sealed Bag
(每一组未组装, 放于一个 Amphenol LTW 封口袋)
 - * Housing: Nylon+GF, Black
 - * Female Pin: Copper Alloy, Gold Plated
 - △ * O-Ring: EPDM, Black
 - * Screw Nut: Nylon+GF, Black
 - △ * Gasket: Silicone, Black
 - * Clamp Ring: Nylon, Black
 - * Seals: EPDM, Black
 - * Sealing Nut: Nylon, Black
 - * Liquid Glue: Claer



UNIT:mm	
TOLERANCE	$\pm 0.5 \text{ mm}$

TITLE Power, Assy Screw 5Pin F Conn F Pin			
SCALE 1:1	SIZE A4	SHEET 1 OF 1	
REV. D	WC-REV. A.2	\varnothing : Inspection item	

Amphenol LTW
安費諾亮泰企業股份有限公司

ITEM NO PWE-05BFFA-SL7001	DRAWN BY Vicky	DATE 2017-04-14
DWG NO PWE-05BFFA-SL7001	CHECKED BY Rita	DATE 2017-04-14
CUSTOMER ALTW	APPROVED BY Max	DATE 2017-04-14