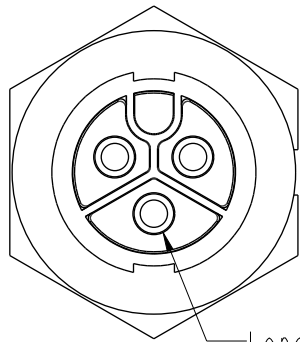
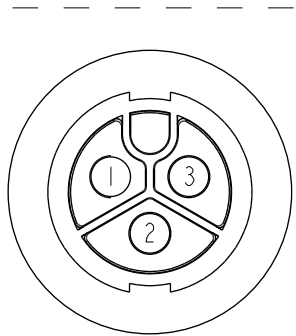
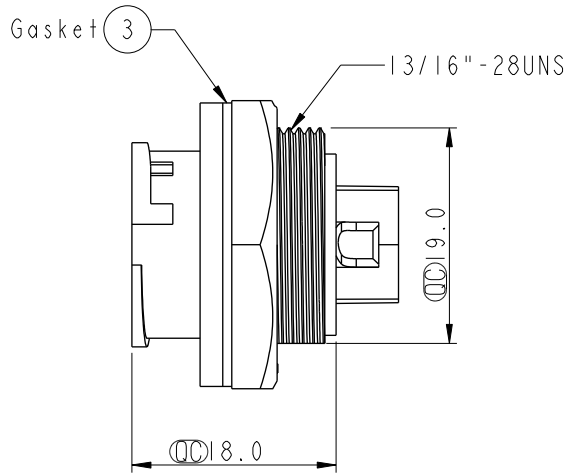
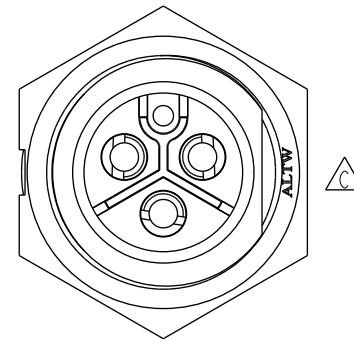
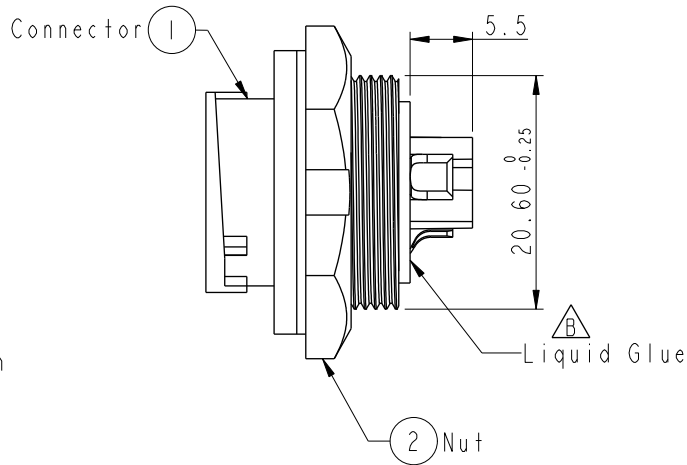


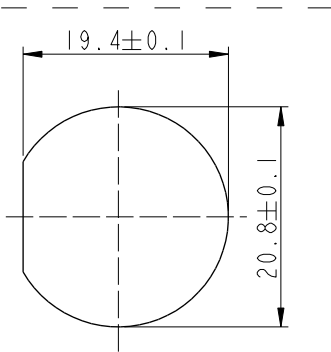
REV.	ECN NO.	DATE	SIGN	DESCRIPTION
B	LE3-9A0097	2009/10/20	Rita	Delete liquid no.
C	C200524	2020/04/21	Vicky	△C*5



Long Male Pin



Pin Assignments  
Front View



Recommended  
Panel Cut-Out

Note:

- \*  $\varnothing$  Important Dimension To Check.
- △C\* Waterproof Rate: IP67, Unmated
- △C\* Connector: Thermoplastic, Black
- \* Male Pin: Copper Alloy, Gold Plated
- △C\* Gasket: Rubber, Gray
- \* Maximum Panel Thickness: 4.5mm

UNIT:mm		
TOLERANCE	.X ±0.25	
.XX ±0.1		
.XXX ±0.05		
ANGLES	±1°	

TITLE PWR, 20A, 03P, REAR FASTENED △C M, M, SOLDER, 2LOCK			
SCALE 3:2	SIZE A4	SHEET 1 OF 1	
REV. C	WC-REV. A.3	Ⓞ: Inspection item	

**Amphenol LTW**  
安費諾亮泰企業股份有限公司

ITEM NO PWC-03RMMS-LC7001	DRAWN BY Rita	DATE 2009-10-20
DWG NO PWC-03RMMS-LC7001	CHECKED BY Vicky	DATE 2009-10-20
CUSTOMER ALTW	APPROVED BY Lion	DATE 2009-10-21

THIS DOCUMENT IS SUBJECT TO CHANGE WITHOUT NOTICE. IT IS CONFIDENTIAL AND A PROPERTY OF Amphenol LTW. DISCLOSURE TO THIRD PARTY HAS TO BE AUTHORIZED BY Amphenol LTW.