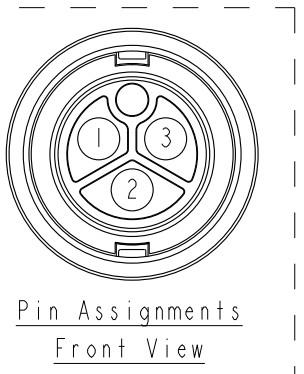
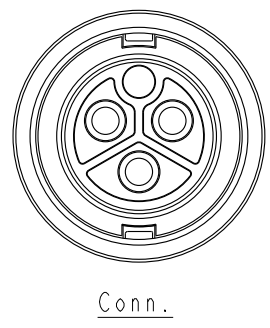
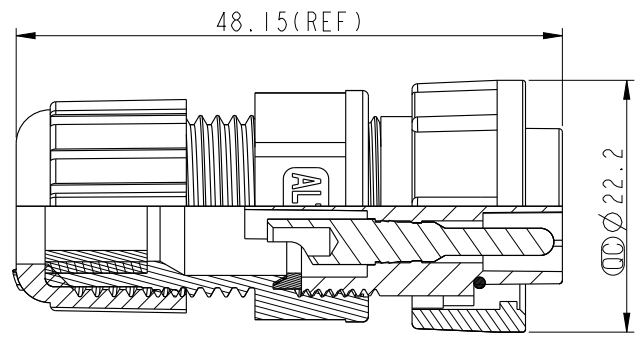
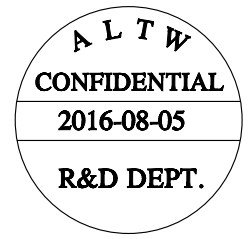
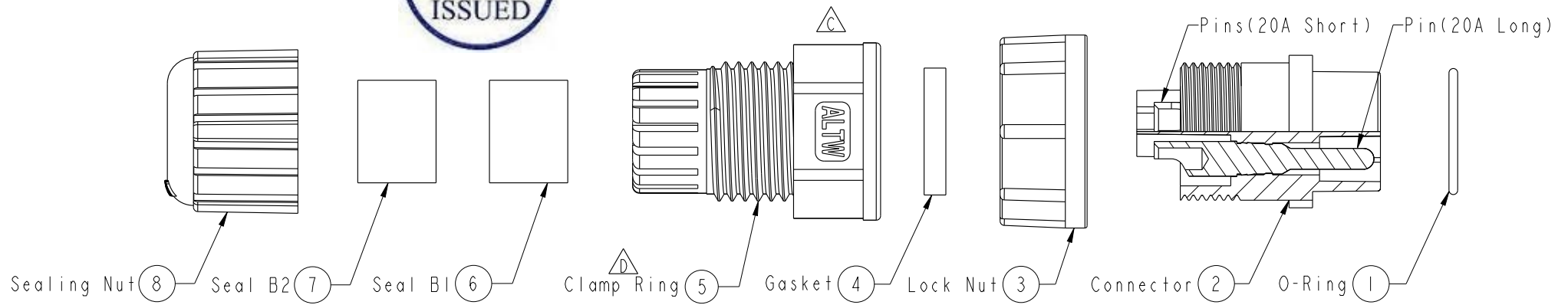


THIS DOCUMENT IS SUBJECT TO CHANGE WITHOUT NOTICE. IT IS CONFIDENTIAL AND A PROPERTY OF AMPHENOL LTW. DISCLOSURE TO THIRD PARTY HAS TO BE AUTHORIZED BY AMPHENOL LTW.

REV.	ECN NO.	DATE	SIGN	DESCRIPTION
B	LEN-020039	2010/01/20	Vicky	Remove Note.
C	LEN1580259	2015/05/28	Jinhai	Change Logo
D	LE31680525	2016/08/05	Joy	Modify The Material Of The Clamp Ring



- Notes:**
- * \varnothing Important Dimensions To Check.
 - * Waterproof Rate: IP67.
 - * Housing: Nylon+GF, Black.
 - * Male Pin: Copper Alloy, Gold Plated.
 - * O-Ring: Silicon, Gray.
 - * Lock Nut: Nylon+GF, Black.
 - * Gasket: Silicon, Gray.
 - * Clamp Ring: Nylon66, Black.
 - * Sealing Nut: Nylon+GF, Black.
 - * Seal B1 For Cable OD: \varnothing 7.6mm~9.6mm.
 - * Seal B2 For Cable OD: \varnothing 4.0mm~7.6mm.
 - * One Set Unassembled In One PE Bag.

UNIT:mm		
TOLERANCE		
±0.5		

TITLE Power, Assy Lock 3Pin F Conn. M Pin 20A			
SCALE 3:2	SIZE A4	SHEET 1 OF 1	
REV. D	WC-REV. A.3	\varnothing : Inspection item	

Amphenol LTW
安費諾亮泰企業股份有限公司

ITEM NO. PWC-03BFMA-LL7001	DRAWN BY Joy	DATE 2016-08-05
DWG NO. PWC-03BFMA-LL7001	CHECKED BY Ma Fei	DATE 2016-08-05
CUSTOMER ALTW	APPROVED BY Jerry	DATE 2016-08-05