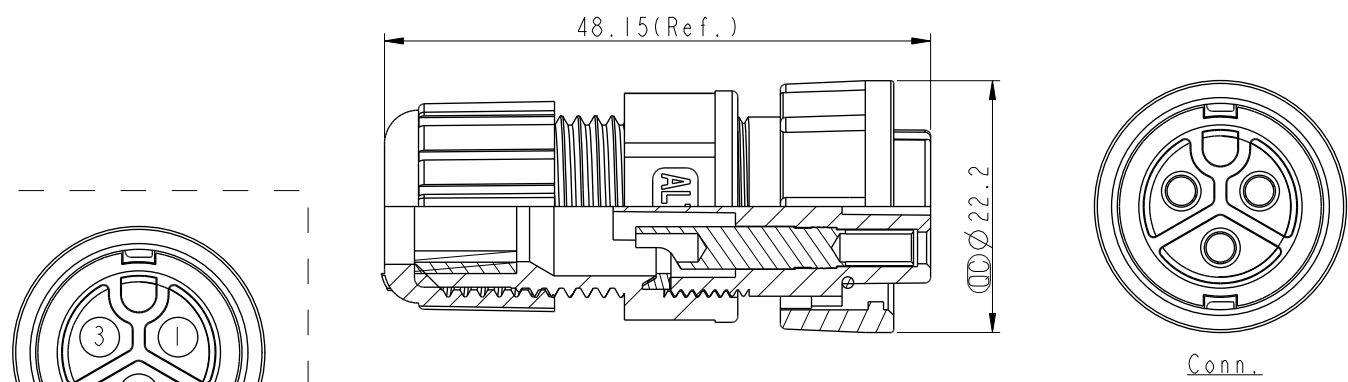
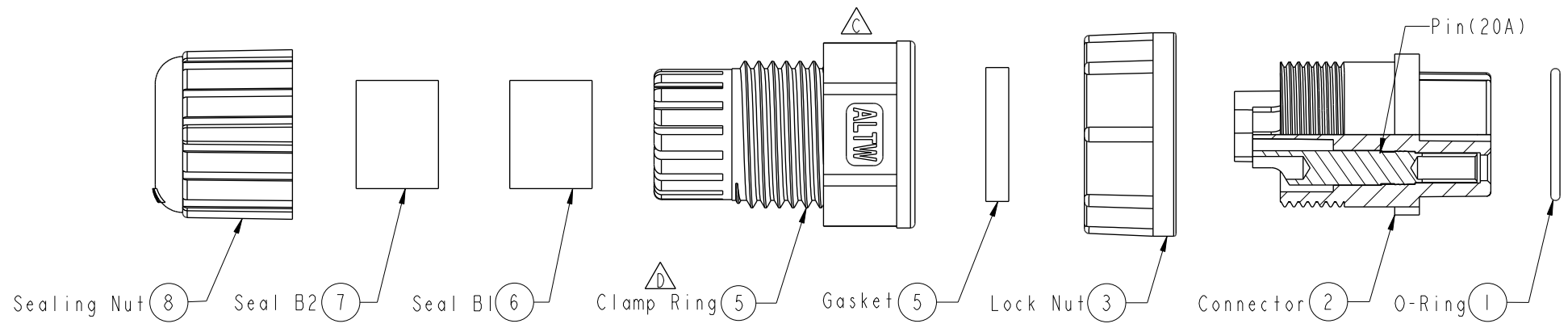


THIS DOCUMENT IS SUBJECT TO CHANGE WITHOUT NOTICE. IT IS CONFIDENTIAL AND A PROPERTY OF AMPHENOL LTW. DISCLOSURE TO THIRD PARTY HAS TO BE AUTHORIZED BY AMPHENOL LTW.

REV.	ECN NO.	DATE	SIGN	DESCRIPTION
C	LEN1480171	2014/08/01	Aric	Change Old Logo To New Logo.
D	LE31680524	2016/08/05	Joyy	Modify The Material Of The Clamp Ring
E	C231296	2023/10/11	Vicky	$\triangle E$ X2



- $\triangle B$ Note:
- * CC Important Dimensions To Check.
 - * Waterproof Rate: IP67.
 - * Housing: Nylon+GF, Black.
 - * Female Pin: Copper Alloy, Gold Plated.
 - * O-Ring: Silicon, Gray.
 - * Lock Nut: Nylon+GF, Black.
 - * Gasket: Silicon, Gray.
 - $\triangle D$ * Clamp Ring: Nylon66, Black.
 - * Sealing Nut: Nylon+GF, Black.
 - * Seal B1 For Cable OD: $\varnothing 7.6\text{mm} \sim 9.6\text{mm}$.
 - * Seal B2 For Cable OD: $\varnothing 4.0\text{mm} \sim 7.6\text{mm}$.
 - $\triangle E$ * One set unassembled in one pe bag

UNIT:mm TOLERANCE .X ± 0.25 .XX ± 0.1 .XXX ± 0.05 ANGLES $\pm 1^\circ$	TITLE PWR, 20A, CABLE W/O SR F, F, FI SOLDER, 2LOCK $\triangle D \triangle E$			ITEM NO PWC-03BFFA-LL7001		DRAWN BY Joyy		DATE 2016-08-05		
	SCALE 3:2		SIZE A4		SHEET 1 OF 1		CHECKED BY Ma Fei		DATE 2016-08-05	
	REV. E		WC-REV. A.6		CC : Inspection item		APPROVED BY Jerry		DATE 2016-08-05	
	Amphenol LTW 安費諾亮泰企業股份有限公司				CUSTOMER ALTW					