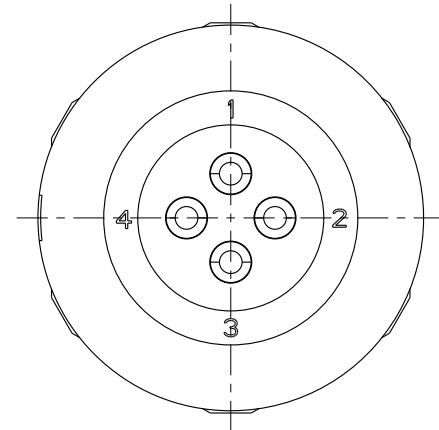
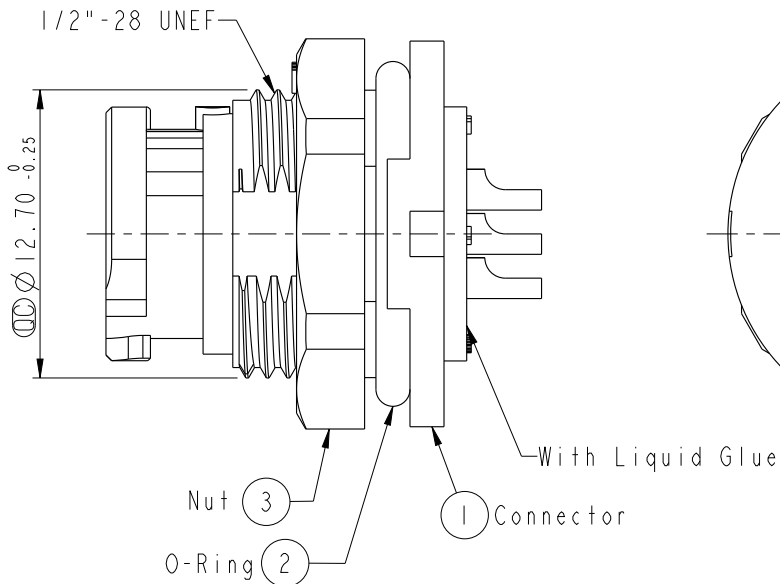
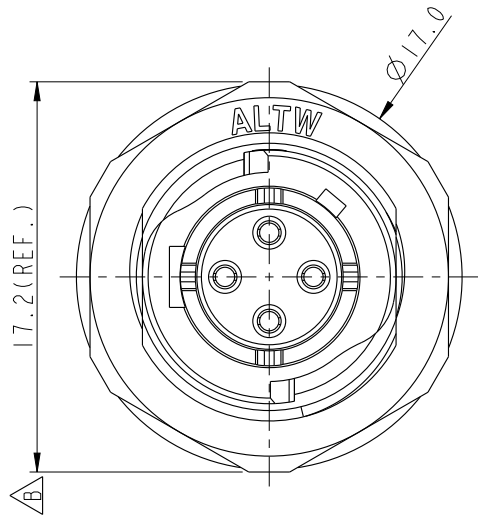
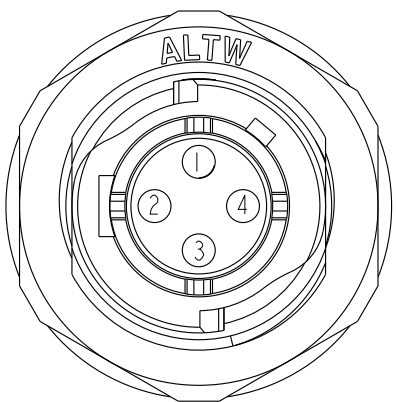


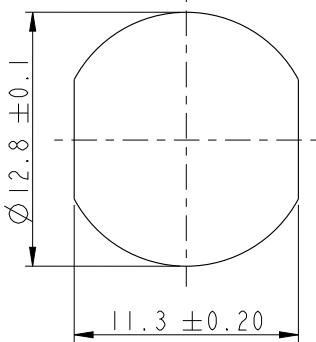
REV.	ECN NO.	DATE	SIGN	DESCRIPTION
B	LEN1370120	2013/07/04	Sam	Change Dimension
C	CI90315	2019/03/14	Ruru	Modify Note
D	CI91169	2019/07/11	Nan_Su	Modify Note



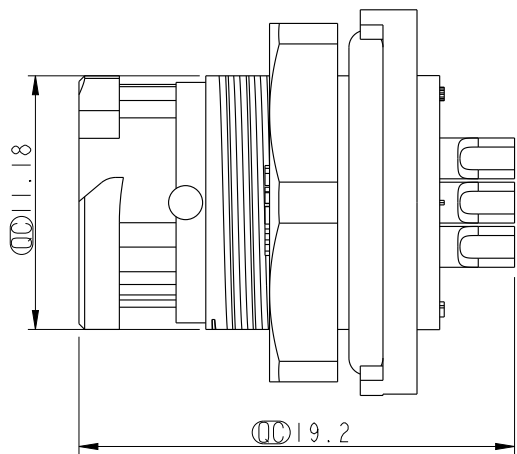
ALTW
CONFIDENTIAL
 2019-07-11
R&D DEPT.



Pin Assignments
Front View



Recommended
Panel Cut-Out



- Note: \triangle
- * CC Important Dimension To Check.
 - * Waterproof Rate: IP67, Mated
 - * Housing: Thermoplastic, Black
 - * Pin: Copper Alloy, Gold Plated
 - * Nut: Thermoplastic, Black
 - * O-Ring: Rubber, Gray \triangle
 - * Use With Dust Cap
Panel Thickness Max.: 2.0mm
 - * Use Without Dust Cap
Panel Thickness Max.: 3.0mm
 - * Nut are packed separately in PE bags.

UNIT: mm		TITLE		ITEM NO		DRAWN BY		DATE	
		PANEL, PUSH LOCK, 4PIN M CONN F PIN		PLD-04PMFS-QC7001		Nan_Su		2019-07-11	
TOLERANCE		SCALE	SIZE	SHEET	DWG NO	CHECKED BY	DATE		
.X ±0.25		3:1	A4	1 OF 1	PLD-04PMFS-QC7001	Feng_Li	2019-07-11		
.XX ±0.1		REV.	WC-REV.		CUSTOMER	APPROVED BY	DATE		
.XXX ±0.05		D	.0	CC : Inspection item	ALTW	Jerry	2019-07-11		
ANGLES ±1°									

Amphenol LTW
 安費諾亮泰企業股份有限公司

THIS DOCUMENT IS SUBJECT TO CHANGE WITHOUT NOTICE. IT IS CONFIDENTIAL AND A PROPERTY OF Amphenol LTW. DISCLOSURE TO THIRD PARTY HAS TO BE AUTHORIZED BY Amphenol LTW.