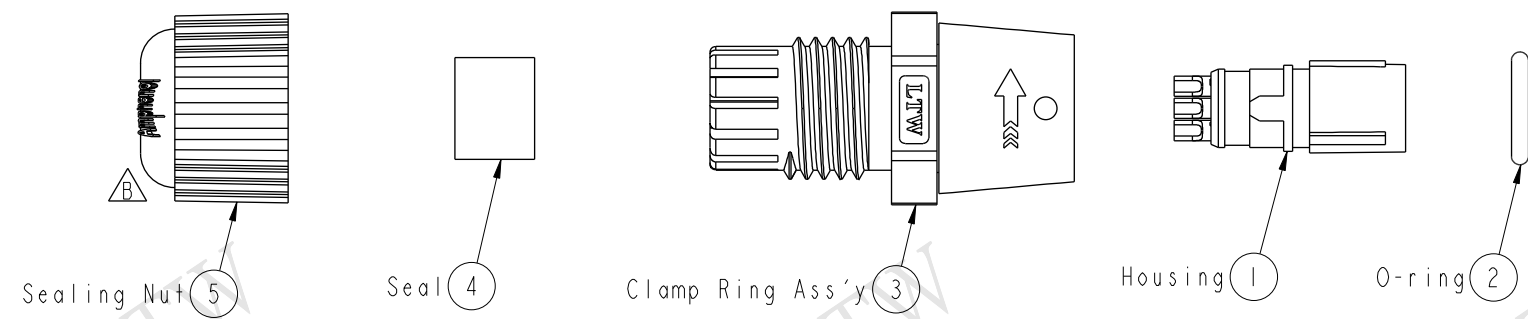


THIS DOCUMENT IS SUBJECT TO CHANGE WITHOUT NOTICE. IT IS CONFIDENTIAL AND A PROPERTY OF AMPHENOL LTW. DISCLOSURE TO THIRD PARTY HAS TO BE AUTHORIZED BY AMPHENOL LTW.

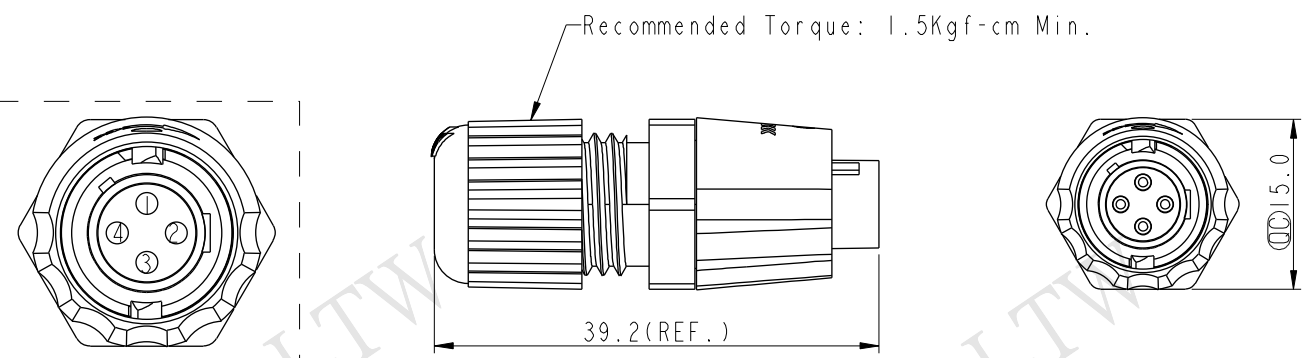
REV.	ECN NO.	DATE	SIGN	DESCRIPTION
A	Initial Release	2012/10/25	Ruru	PLI2-04BFMA-QL7001 To PLD-04BFMA-QL7001
B	LEN1510153	2015/01/08	Vicky	Update Logo & Tolerance

**ALTW**  
 CONFIDENTIAL  
 2015-01-08  
 R&D DEPT.

**ALTW**  
 DCC. DEPT.  
 CONFIDENTIAL  
 2015.01.15  
 ISSUED



- Note:
- \*  $\varnothing$  Important Dimension To Check.
  - \* Waterproof Rate: IP67.
  - \* Housing: Nylon, UL 94V-0, Black.
  - \* Male Pin: Copper Alloy, Gold Plated.
  - \* Nut: NYLON+25%GF, UL 94V-0, Black.
  - \* Clamp Ring: Nylon+GF, UL 94V-2, Black.
  - \* Sealing Nut: Nylon+GF, UL 94V-2, Black.
  - \* Rubber Parts: Silicone, UL 94V-0, Gray.
  - \* Seal for Cable OD:  $\varnothing 4.5\text{mm} \sim \varnothing 6.5\text{mm}$ .
  - \* Operating Voltage Max: AC 300 V Rms.
  - \* Operating Current Max: 5A.
  - \* One Set Unassembled In One Bag.



Pin Assignments  
Front View

UNIT:mm TOLERANCE $\pm 0.5 \text{ mm}$		TITLE ASSY, PUSH LOCK, 4PIN F CONN M PIN		<h1>Amphenol LTW</h1>		ITEM NO PLD-04BFMA-QL7001	DRAWN BY Vicky	DATE 2015-01-08	
		SCALE 3:2	SIZE A4	SHEET 1 OF 1	<b>安費諾亮泰企業股份有限公司</b>		DWG NO PLD-04BFMA-QL7001	CHECKED BY Sam	DATE 2015-01-08
		REV. B	WC-REV. A.2	$\varnothing$ Inspection item	CUSTOMER ALTW	APPROVED BY Rita	DATE 2015-01-08		