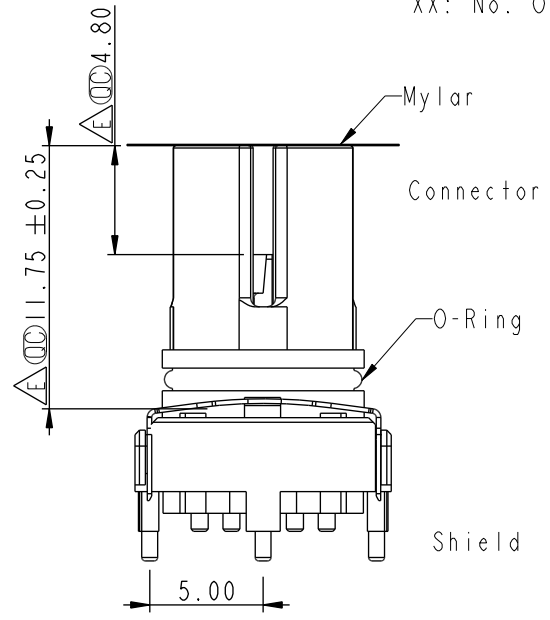
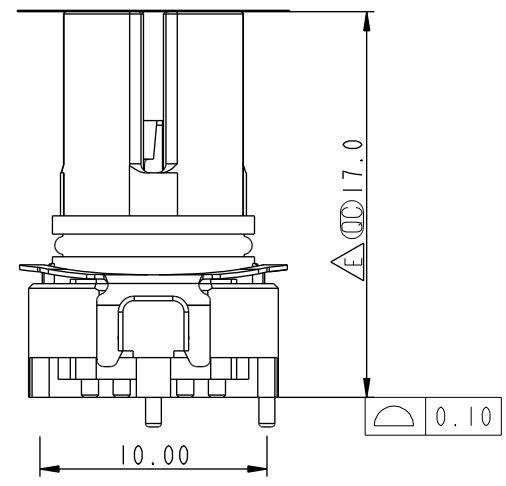
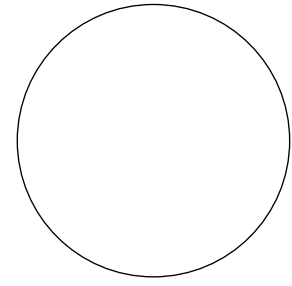
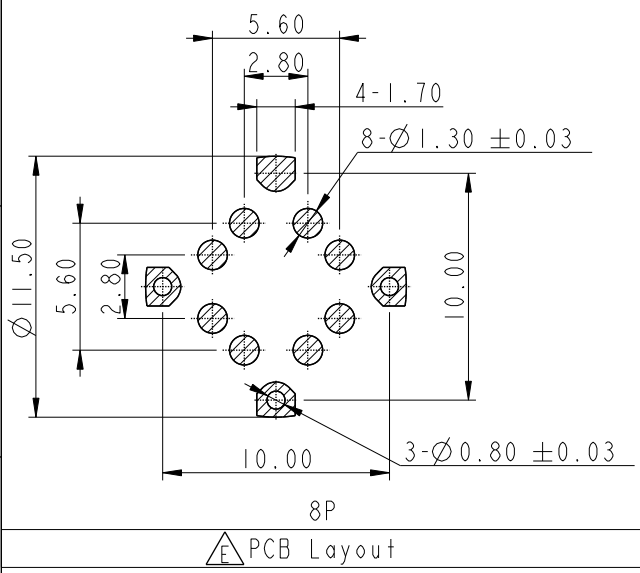
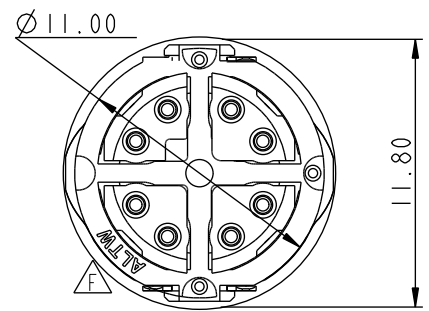
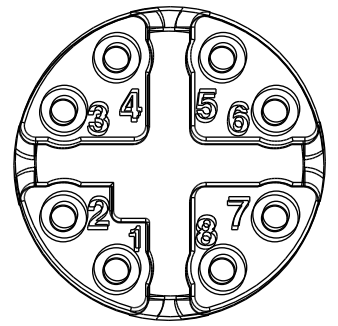


THIS DOCUMENT IS SUBJECT TO CHANGE WITHOUT NOTICE. IT IS CONFIDENTIAL AND A PROPERTY OF AMPHENOL LTW. DISCLOSURE TO THIRD PARTY HAS TO BE AUTHORIZED BY AMPHENOL LTW.

REV.	ECN NO.	DATE	SIGN	DESCRIPTION
D	C201549	2020-10-20	Vicky	$\triangle D$ X4
E	C210219	2021-03-03	Vicky	$\triangle E$ X9
F	C230627	2023-05-22	Jerry Hsiao	$\triangle F$ X1



$\triangle D$  MSXS-XXPFFT-EE0001  
XX: No. Of Pin



- $\triangle E$  Note:
- \* RoHS Compliant
  - \*  $\text{⌀}$  Important dimension
  - \* Waterproof rate: Non-Waterproof
  - \* Connector Housing: Thermoplastic, Black
  - Pin: Copper alloy, Gold plated
  - \* O-Ring: Rubber, Black
  - \* Shield: Metal
  - \* Mylar: PI, Amber

$\triangle E$  Pin Assignment Front View

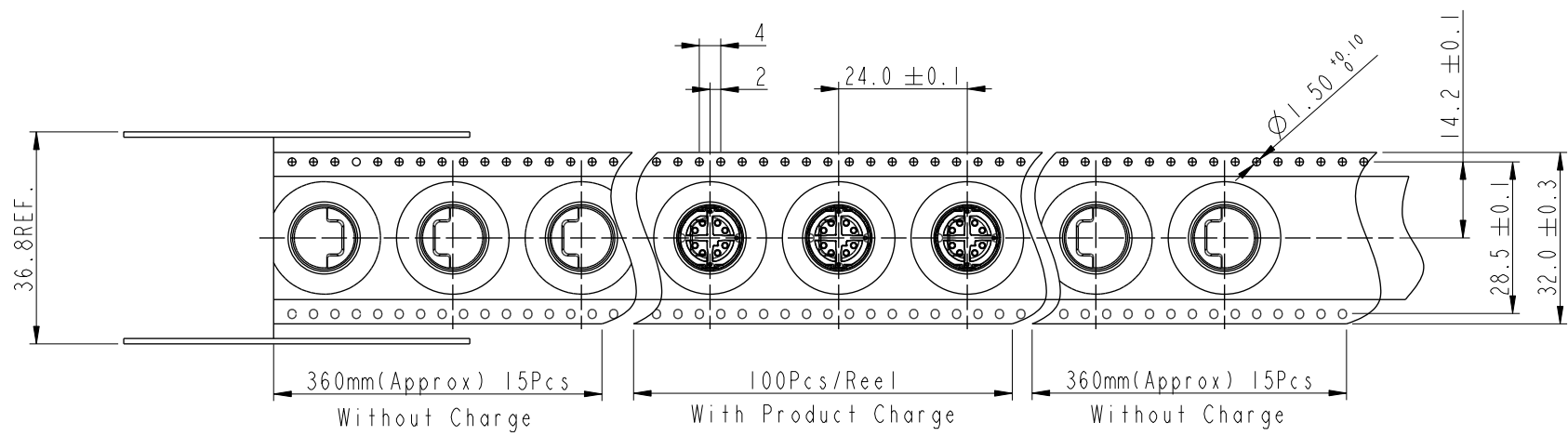
UNIT:mm	$\text{⌀}$	$\text{⌀}$
TOLERANCE	.X	$\pm 0.25$
	.XX	$\pm 0.1$
	.XXX	$\pm 0.05$
	ANGLES	$\pm 1^\circ$

TITLE N SEN, M12 X -SHLD, NONE RECEPTACLE, F, F, PCB SMT			
SCALE	SIZE	SHEET	OF
3:1	A4	1	3
REV.	WC-REV.	$\text{⌀}$ : Inspection item	
F			

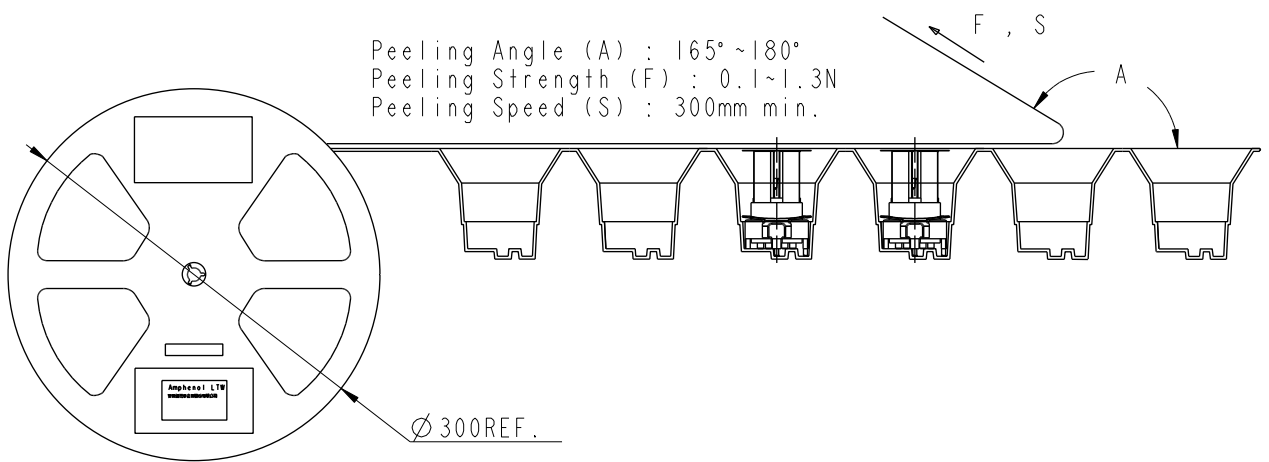
**Amphenol LTW**  
安費諾亮泰企業股份有限公司

ITEM NO.	DRAWN BY	DATE
	Sam Ho	2018-12-19
DWG NO.	CHECKED BY	DATE
$\triangle D$ MSXS-XXPFFT-EE0001	Fred Lee	2018-12-19
CUSTOMER	APPROVED BY	DATE
ALTW	Fred Lee	2018-12-19

THIS DOCUMENT IS SUBJECT TO CHANGE WITHOUT NOTICE. IT IS CONFIDENTIAL AND A PROPERTY OF Amphenol LTW. DISCLOSURE TO THIRD PARTY HAS TO BE AUTHORIZED BY Amphenol LTW.



Top of Reel →



UNIT: mm		
TOLERANCE	.X	±0.25
	.XX	±0.1
	.XXX	±0.05
ANGLES		±1°

TITLE N SEN, M12 X -SHLD, NONE RECEPTACLE, F, F, PCB SMT			
SCALE Free	SIZE A4	SHEET 2 OF 3	
REV. F	WC-REV.	QC: Inspection item	

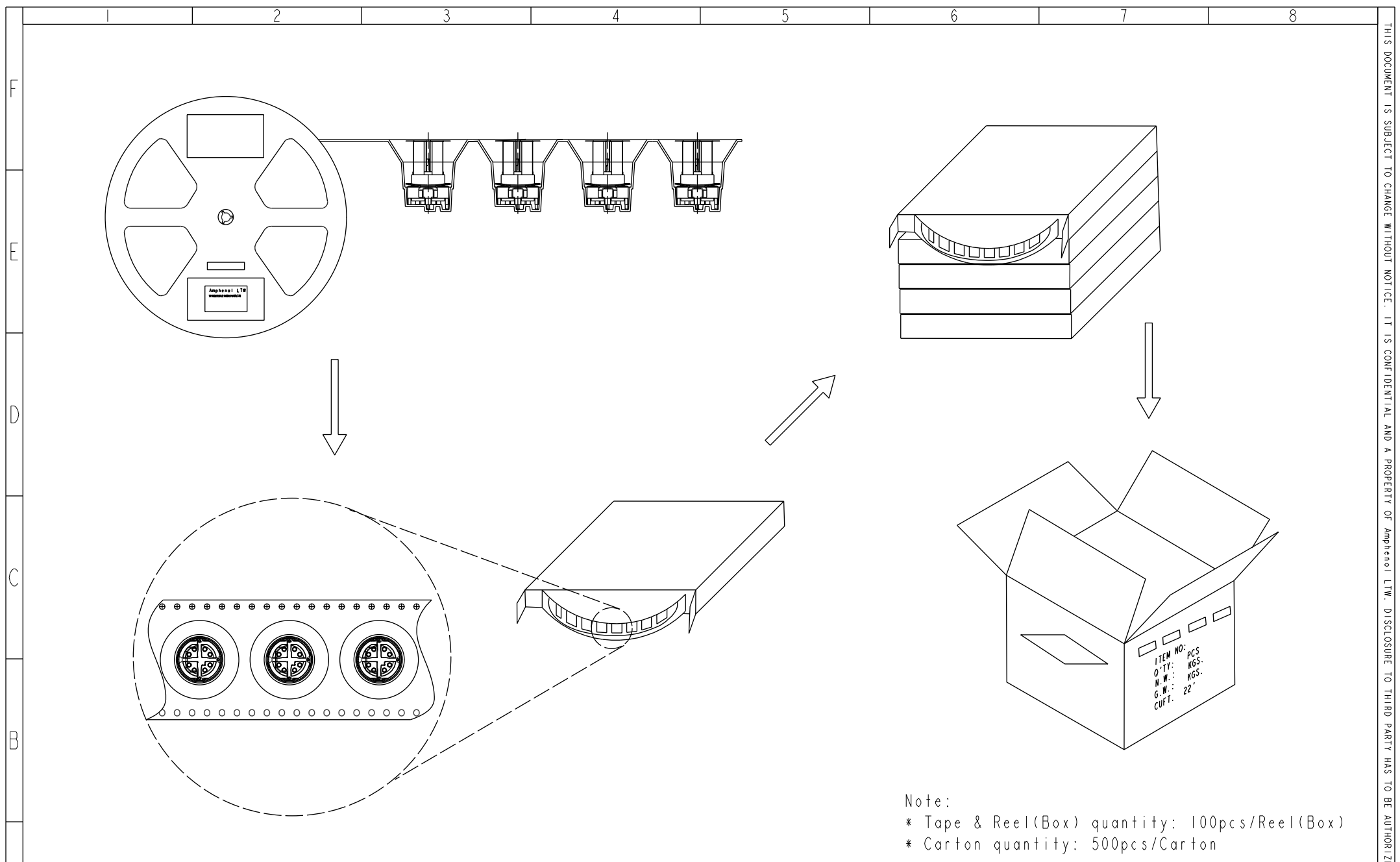
**Amphenol LTW**  
 安費諾亮泰企業股份有限公司

ITEM NO	DWG NO
CUSTOMER	

DRAWN BY	CHECKED BY
Sam Ho	Fred Lee
APPROVED BY	
Fred Lee	

DATE	DATE
2018-12-19	2018-12-19
DATE	DATE
2018-12-19	2018-12-19

THIS DOCUMENT IS SUBJECT TO CHANGE WITHOUT NOTICE. IT IS CONFIDENTIAL AND A PROPERTY OF Amphenol LTW. DISCLOSURE TO THIRD PARTY HAS TO BE AUTHORIZED BY Amphenol LTW.



Note:  
 \* Tape & Reel(Box) quantity: 100pcs/Reel(Box)  
 \* Carton quantity: 500pcs/Carton

A	UNIT: mm			TITLE N SEN, M12 X -SHLD, NONE RECEPTACLE, F, F, PCB SMT		ITEM NO	DRAWN BY Sam Ho	DATE 2018-12-19
	TOLERANCE .X ±0.25 .XX ±0.1 .XXX ±0.05 ANGLES ±1°	SCALE Free	SIZE A4	SHEET 3 OF 3	REV. F	WC-REV.	DWG NO MSXS-XXPFFT-EE0001	CHECKED BY Fred Lee
				QC: Inspection item		CUSTOMER ALTW	APPROVED BY Fred Lee	DATE 2018-12-19