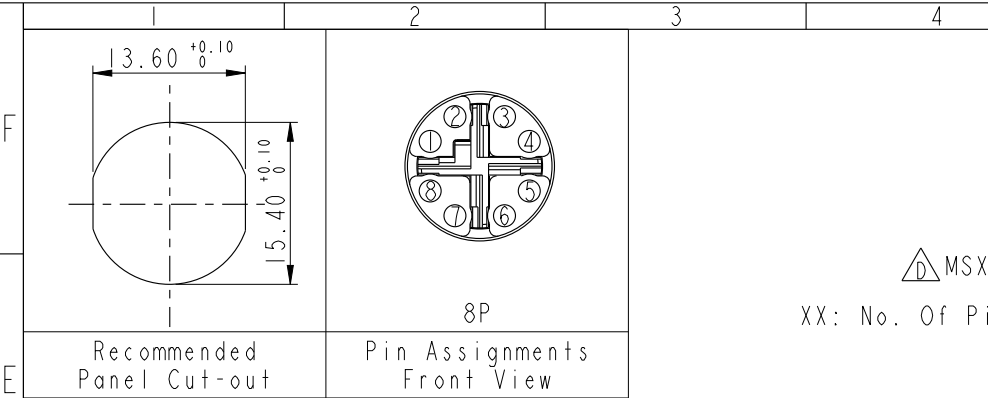


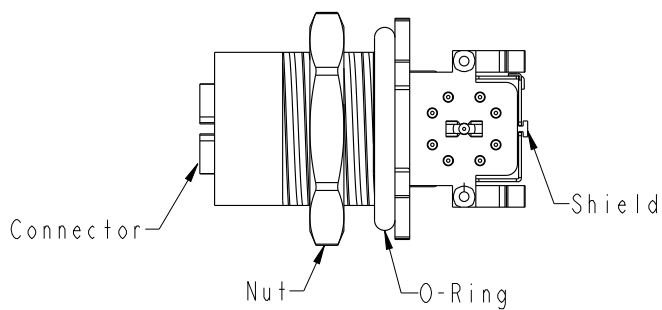
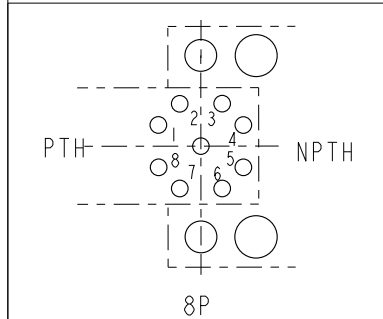
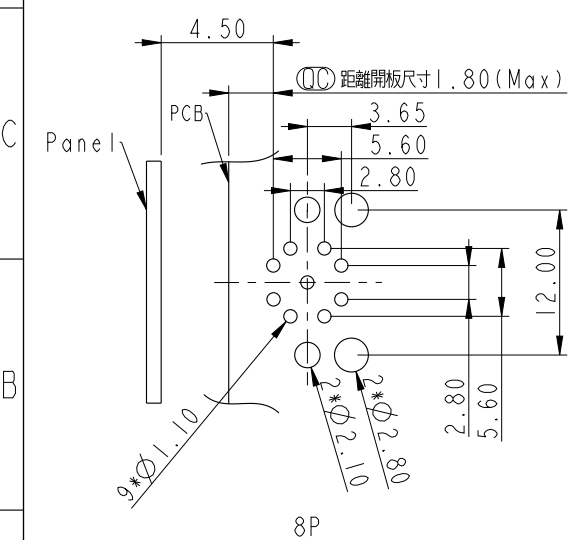
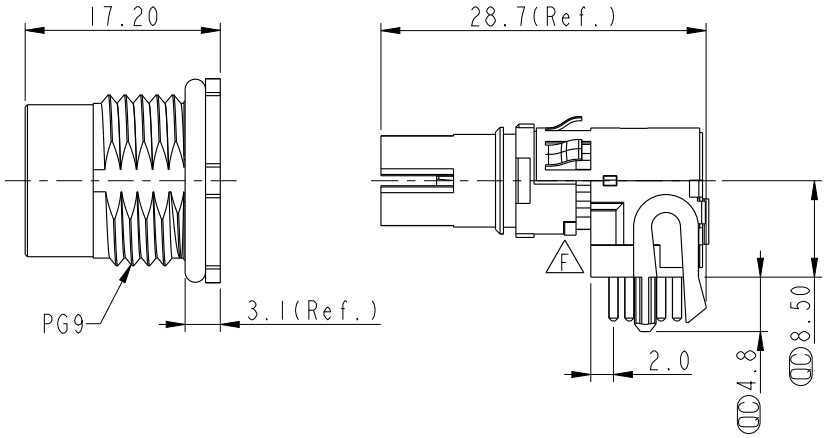
THIS DOCUMENT IS SUBJECT TO CHANGE WITHOUT NOTICE. IT IS CONFIDENTIAL AND A PROPERTY OF Amphenol LTW. DISCLOSURE TO THIRD PARTY HAS TO BE AUTHORIZED BY Amphenol LTW.

REV.	ECN NO.	DATE	SIGN	DESCRIPTION
F	C211548	2021/10/20	Xiaofeng	\triangle F XI
G	C230013	2023/01/06	Vicky	\triangle G XI
H	C231142	2023/09/07	Lavy	\triangle H XI



\triangle MSXS-XXPFFR-SF7001

XX: No. Of Pin



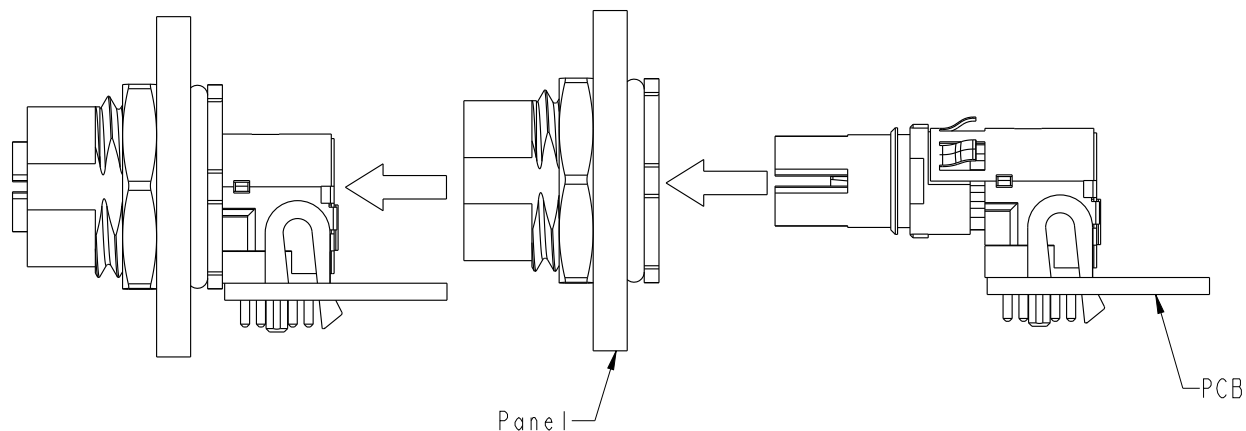
UNIT: mm	ϕ	TITLE	N SEN, M12 X -SHLD, SCREW RECEPTACLE, F, F, PCB R	
TOLERANCE	.X ± 0.25 .XX ± 0.1 .XXX ± 0.05 ANGLES $\pm 1^\circ$	SCALE	Free	SIZE A4
		REV.	H	WC-REV. .0
		SHEET	1	OF 2
		◎: Inspection item		

Amphenol LTW
安費諾亮泰企業股份有限公司

ITEM NO.	MSXS-XXPFFR-SF7001	DRAWN BY	Xiaofeng	DATE	2019/07/17
DWG NO.	MSXS-XXPFFR-SF7001	CHECKED BY	Feng-Li	DATE	2019/07/17
CUSTOMER	ALTW	APPROVED BY	Jerry	DATE	2019/07/17

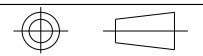
THIS DOCUMENT IS SUBJECT TO CHANGE WITHOUT NOTICE. IT IS CONFIDENTIAL AND A PROPERTY OF Amphenol LTW. DISCLOSURE TO THIRD PARTY HAS TO BE AUTHORIZED BY Amphenol LTW.

Assembly:



- E** Note:
- * RoHS Compliant
 - * **CC** Important dimension
 - G** * Waterproof rate: IP67, mated
 - * Connector
 - Housing: Thermoplastic, Black
 - Pin: Copper alloy, Gold plated
 - Gasket: Rubber, Black
 - D** * Shield: Metal
 - D** * Nut: Metal
 - * O-Ring: Rubber, Black
 - H** * For panel thickness: 0.6~5.0mm
 - * For pcb thickness: 1.6~2.4mm
 - * Nut is packed separately in PE bag

UNIT: mm



TITLE N SEN, M12 X -SHLD, SCREW RECEPTACLE, F, F, PCB R				E
SCALE Free	SIZE A4	SHEET 2 OF 2		
REV. H	WC-REV.	CC : Inspection item		

Amphenol LTW
安費諾亮泰企業股份有限公司

ITEM NO	DRAWN BY Xiaofeng	DATE 2019/07/17
DWG NO MSXS-XXPFFR-SF7001	CHECKED BY Feng-Li	DATE 2019/07/17
CUSTOMER ALTW	APPROVED BY Jerry	DATE 2019/07/17