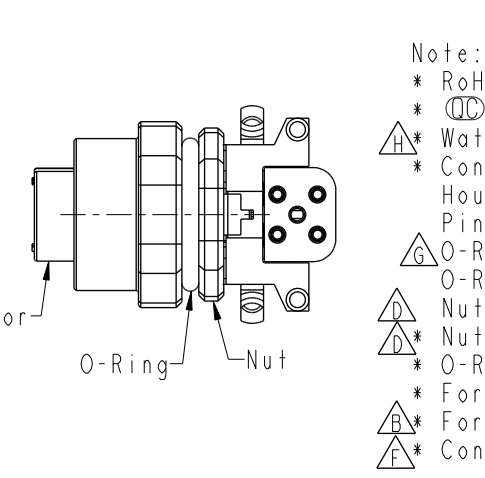
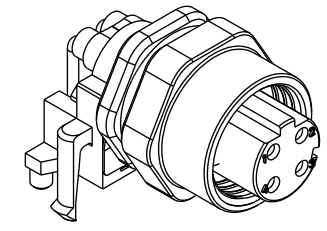
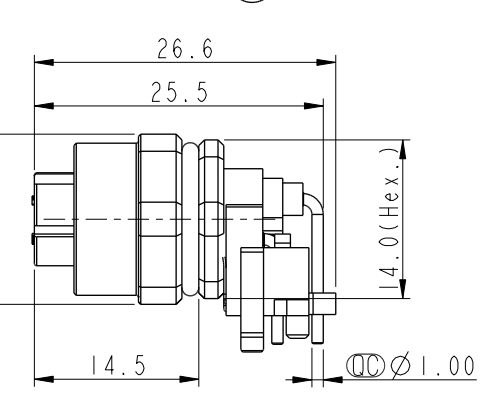
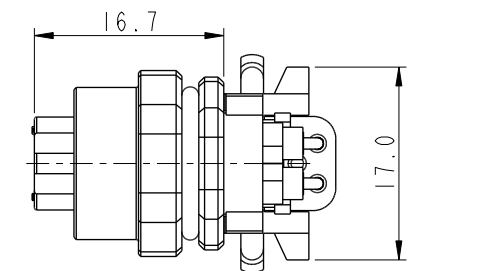
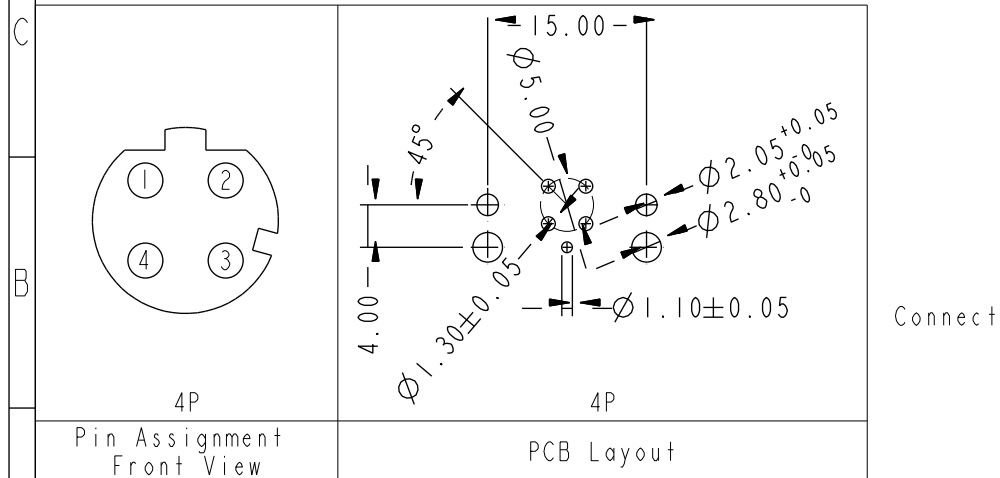
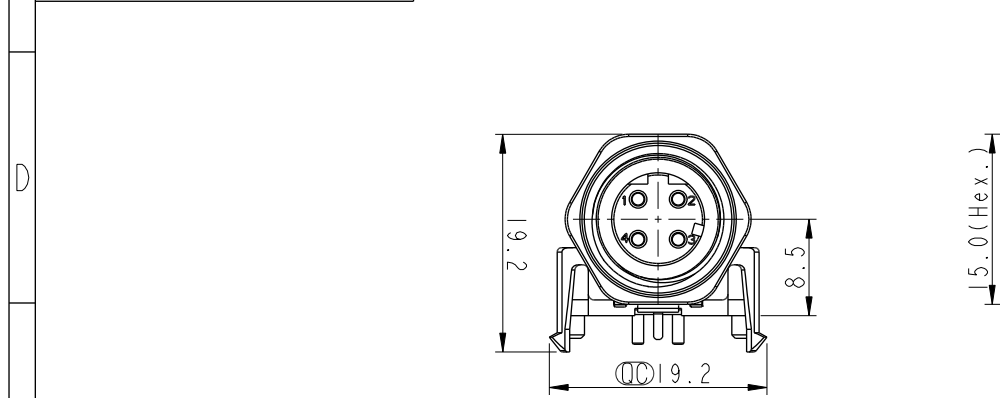
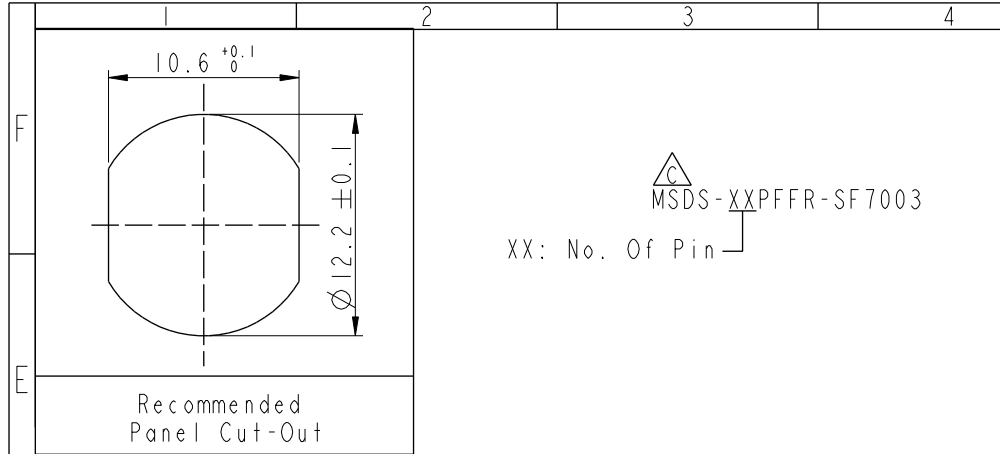


THIS DOCUMENT IS SUBJECT TO CHANGE WITHOUT NOTICE. IT IS CONFIDENTIAL AND A PROPERTY OF Amphenol LTW. DISCLOSURE TO THIRD PARTY HAS TO BE AUTHORIZED BY Amphenol LTW.

REV.	ECN NO.	DATE	SIGN	DESCRIPTION
F	C211844	2021/12/03	Vicky	XI
G	C220593	2022/04/12	Jiahe Lin	XI
H	C221973	2022/12/26	Ruru	XI



- Note:
- \* RoHS Compliant
  - \* Important dimension
  - \* Waterproof rate: IP67, mated Connector
  - Housing: Thermoplastic, Black
  - Pin: Copper alloy, Gold plated
  - \* O-Ring1: Rubber, Gray
  - O-Ring2: Rubber, Gray
  - \* Nut: Metal
  - \* Nut: Metal
  - \* O-Ring: Rubber, Gray
  - \* For panel thickness max: 3.0mm
  - \* For pcb thickness max: 1.6mm
  - \* Connector nut is packed separately in pe bag

UNIT:mm		TITLE	N SEN, M12 D -SHLD, SCREW RECEPTACLE, F, F, PCB R		
TOLERANCE	.X ±0.25	SCALE	3:2	SIZE	A4
.XX ±0.1	.XXX ±0.05	REV.	H	WC-REV.	A.2
ANGLES	±1°	: Inspection item			

**Amphenol LTW**  
安費諾亮泰企業股份有限公司

ITEM NO	DRWN BY	DATE
	Yulong_wang	2016-12-11
DWG NO	CHECKED BY	DATE
MSDS-XXPFFR-SF7003	Jinhai	2016-12-11
CUSTOMER	APPROVED BY	DATE
ALTW	Jerry	2016-12-11