

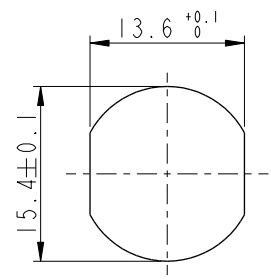
THIS DOCUMENT IS SUBJECT TO CHANGE WITHOUT NOTICE. IT IS CONFIDENTIAL AND A PROPERTY OF Amphenol LTW. DISCLOSURE TO THIRD PARTY HAS TO BE AUTHORIZED BY Amphenol LTW.

REV.	ECN NO.	DATE	SIGN	DESCRIPTION
F	C210309	2021/03/11	Ruru	$\triangle F$ X2
G	C221973	2022/12/26	Ruru	$\triangle G$ X1
H	C231034	2023/08/10	Ruru	$\triangle H$ X1

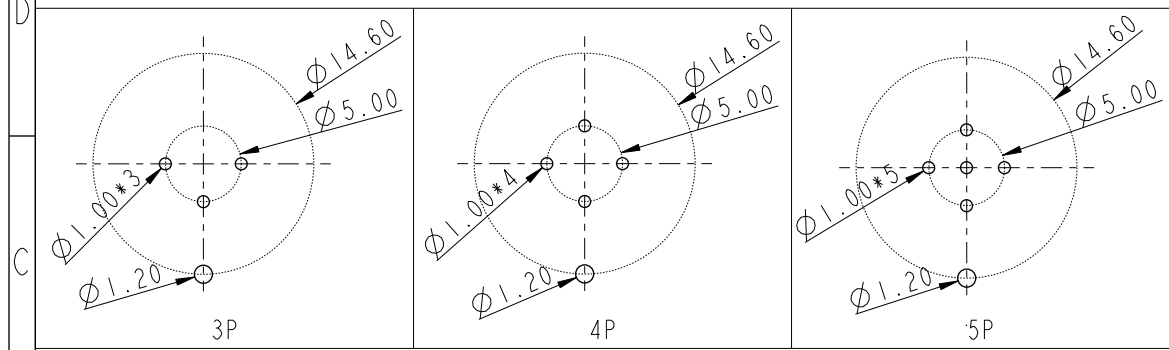
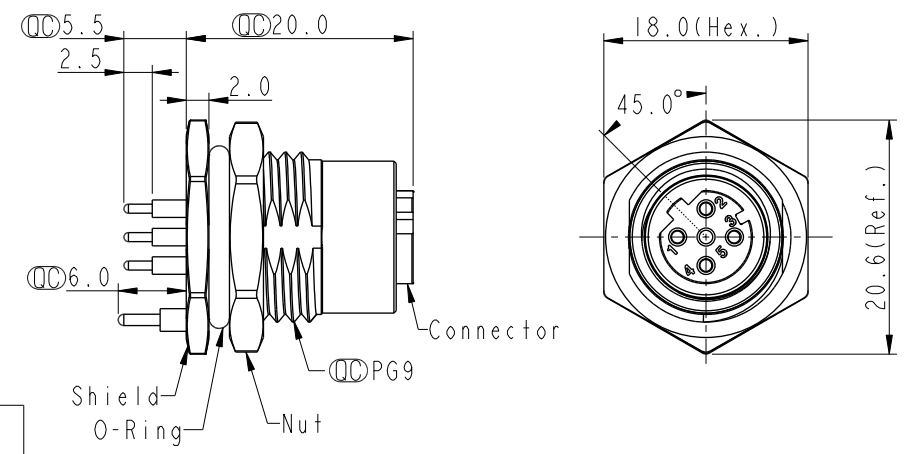
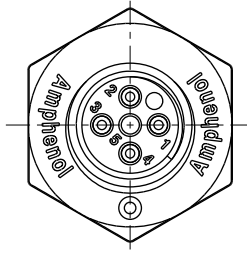
$\triangle B$

$\triangle D$
MSDS-XXPFFP-SF8001

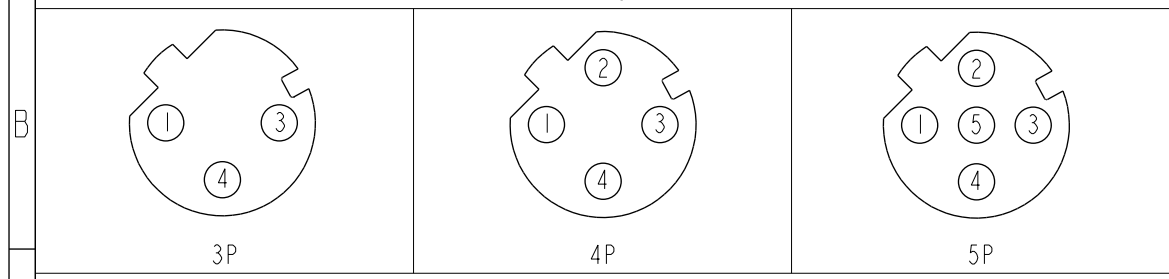
XX: No. Of Pin



Recommended Panel Cut-Out



PCB Layout



Pin Assignment Front View

- $\triangle D$ $\triangle F$ Note:
- * RoHS Compliant
 - * CC Important dimension
 - $\triangle G$ $\triangle C$ * Waterproof rate: IP68, unmated 1m/24h
 $\triangle H$ IP69K, mated
 - * Connector
Housing: Thermoplastic, Black
Pin: Copper alloy, Gold plated
O-Ring: Rubber, Green
 - $\triangle E$ * Shield: Metal
 - $\triangle F$ * Nut: Metal
 - * O-Ring: Rubber, Black
 - * For panel thickness max: 4.5mm
 - * Nut is packed separately in pe bag

UNIT: mm			TITLE N SEN, M12 D -SHLD, SCREW RECEPTACLE, F, F, PCB S $\triangle F$
TOLERANCE .X ±0.25 .XX ±0.1 .XXX ±0.05 ANGLES ±1°	SCALE 3:2	SIZE A4	SHEET 1 OF 1
REV. H	WC-REV. A.5	CC : Inspection item	

Amphenol LTW
安費諾亮泰企業股份有限公司

ITEM NO.	DRAWN BY Yulong_wang	DATE 2016-08-24
DWG NO. $\triangle D$ MSDS-XXPFFP-SF8001	CHECKED BY Jinhai	DATE 2016-08-24
CUSTOMER ALTW	APPROVED BY Jerry	DATE 2016-08-24