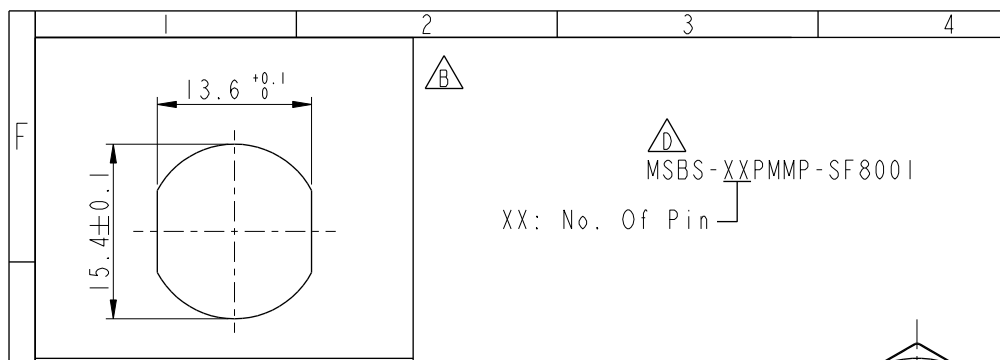
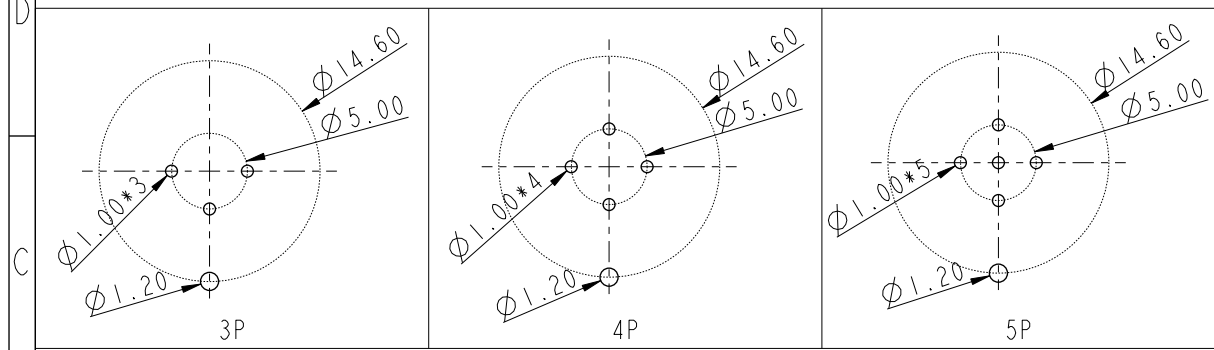
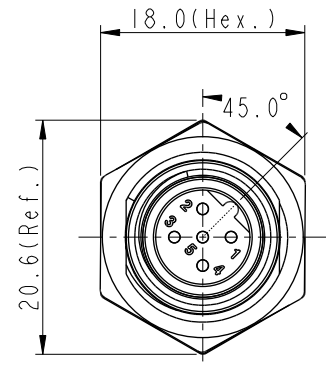
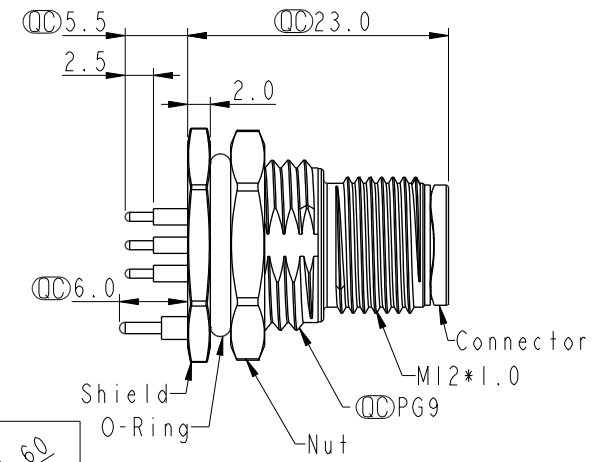
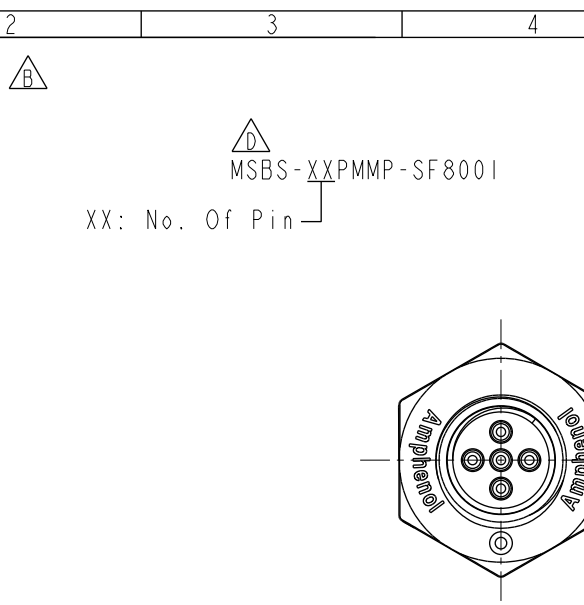


THIS DOCUMENT IS SUBJECT TO CHANGE WITHOUT NOTICE. IT IS CONFIDENTIAL AND A PROPERTY OF Amphenol LTW. DISCLOSURE TO THIRD PARTY HAS TO BE AUTHORIZED BY Amphenol LTW.

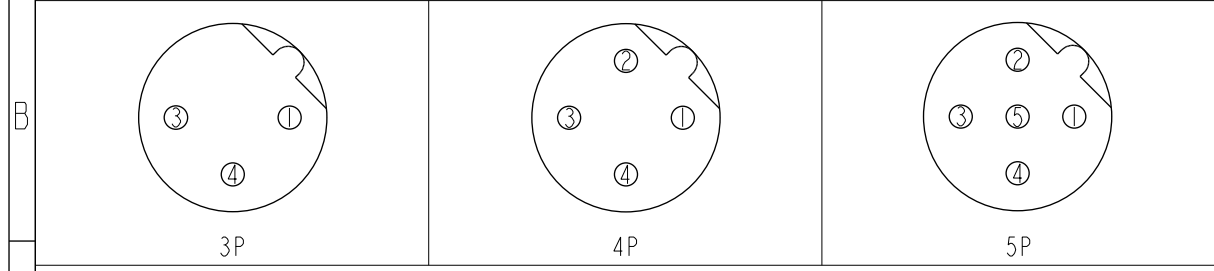
REV.	ECN NO.	DATE	SIGN	DESCRIPTION
F	C210309	2021/03/11	Ruru	X2
G	C221973	2022/12/26	Ruru	X1
H	C231034	2023/08/10	Ruru	X1



Recommended Panel Cut-Out



PCB Layout



Pin Assignment Front View

- Note:**
- * RoHS Compliant
 - * \varnothing Important dimension
 - * \triangle Waterproof rate: IP68, unmated 1m/24h
 - * \triangle IP69K, mated
 - * Connector
 - Housing: Thermoplastic, Black
 - Pin: Copper alloy, Gold plated
 - * Shield: Metal
 - * Nut: Metal
 - * O-Ring: Rubber, Black
 - * For panel thickness max: 4.5mm
 - * Nut is packed separately in pe bag

UNIT: mm		TITLE N SEN, M12 B -SHLD, SCREW RECEPTACLE, M, M, PCB S
TOLERANCE .X ±0.25 .XX ±0.1 .XXX ±0.05 ANGLES ±1°	SCALE 3:2	SIZE A4
	REV. H	SHEET 1 OF 1
	WC-REV. A.5	QC: Inspection item

Amphenol LTW
安費諾亮泰企業股份有限公司

ITEM NO.	DRAWN BY	DATE
	Yulong_wang	2016-09-06
DWG NO.	CHECKED BY	DATE
\triangle MSBS-XXPMMP-SF8001	Jinhai	2016-09-06
CUSTOMER	APPROVED BY	DATE
ALTW	Jerry	2016-09-06