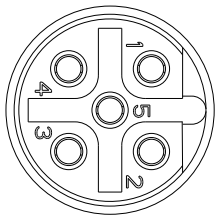
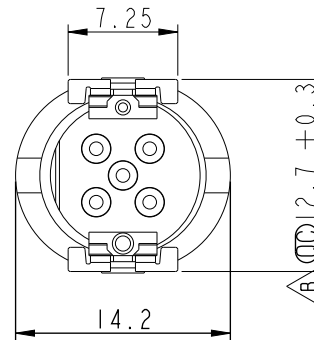
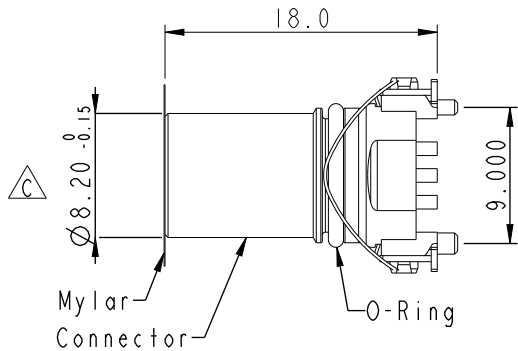


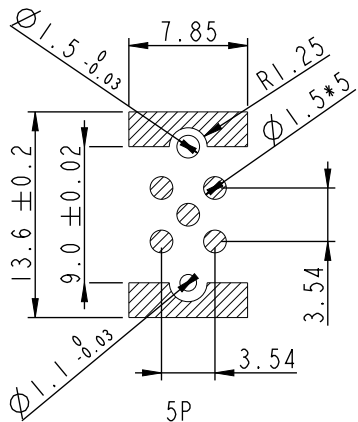
REV.	ECN NO.	DATE	SIGN	DESCRIPTION
A		2020-07-14	Allen Pan	Rev.01 To Rev.A
B	C210309	2021-03-11	Ruru	$\triangle B$ X5
C	C220820	2022-06-24	Yuwei Chou	$\triangle C$ X2

$\triangle C$   
MSBS-XXPFFT-EE0001  
XX: No. Of Pin



5P

Pin Assignment  
Front View

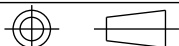


5P

PCB Layout

- $\triangle B$ Note:
- \* RoHS Compliant
  - \*  $\text{CC}$  Important dimension
  - \* Waterproof rate: Non-Waterproof
  - \* Connector
  - Housing: Thermoplastic, Black
  - Pin: Copper Alloy, Gold Plated
  - \* O-Ring: Rubber, Black
  - \* Mylar: PI, Amber

UNIT: mm



TITLE  
N SEN, M12 B -SHLD, NONE  
RECEPTACLE, F, F, PCB SMT  $\triangle B$

**Amphenol LTW**

安費諾亮泰企業股份有限公司

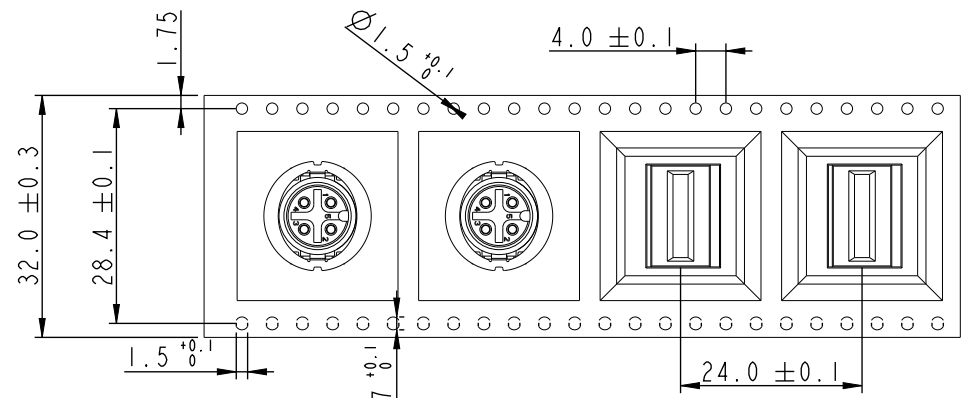
ITEM NO	DRAWN BY	DATE
	Allen Pan	2020-07-14
DWG NO	CHECKED BY	DATE
MSBS-XXPFFT-EE0001	Sam Ho	2020-07-14
CUSTOMER	APPROVED BY	DATE
ALTW	Fred Lee	2020-07-14

TOLERANCE	
.X	±0.25
.XX	±0.1
.XXX	±0.05
ANGLES	±1°

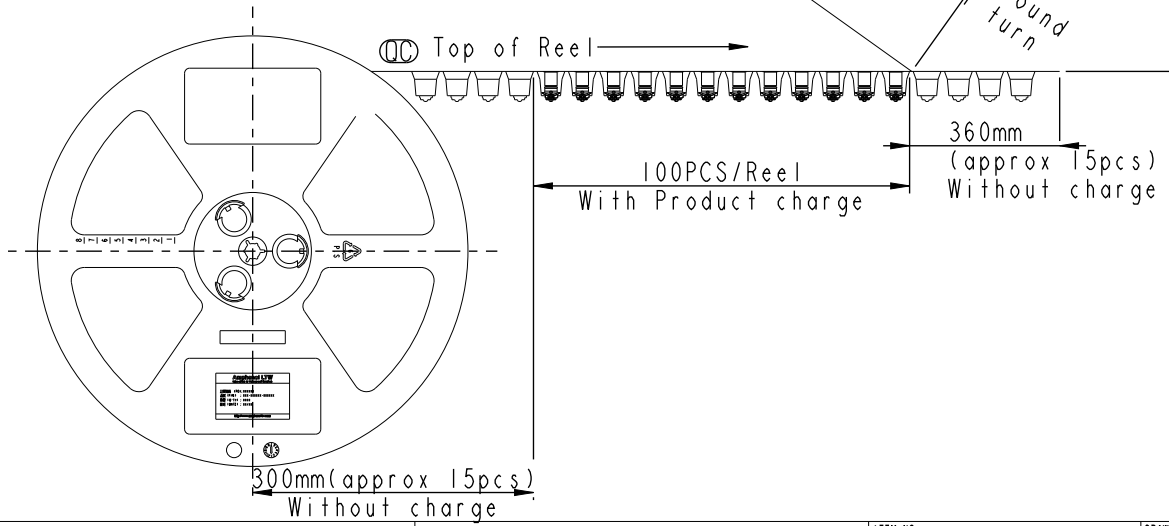
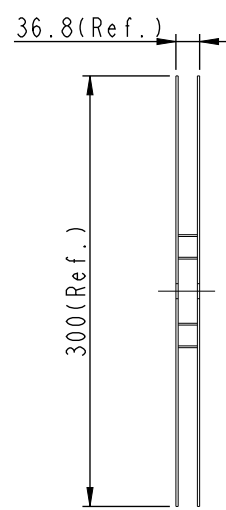
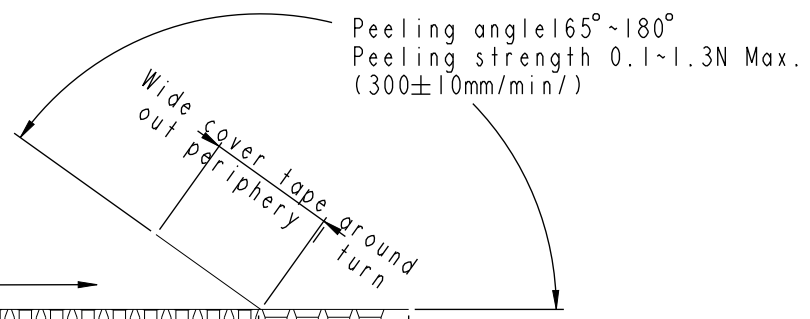
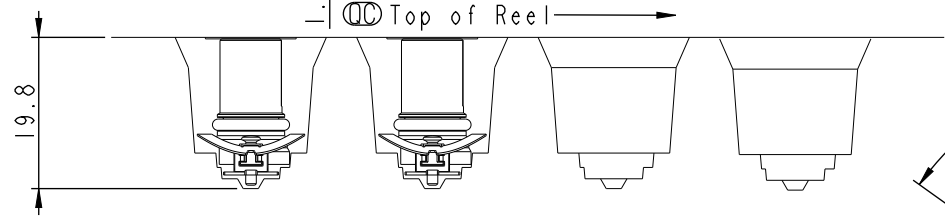
SCALE	SIZE	SHEET	OF
2:1	A4	1	3
REV.	WC-REV.	$\text{CC}$ : Inspection item	
C	A.1		

THIS DOCUMENT IS SUBJECT TO CHANGE WITHOUT NOTICE. IT IS CONFIDENTIAL AND A PROPERTY OF AMPHENOL LTW. DISCLOSURE TO THIRD PARTY HAS TO BE AUTHORIZED BY AMPHENOL LTW.

THIS DOCUMENT IS SUBJECT TO CHANGE WITHOUT NOTICE. IT IS CONFIDENTIAL AND A PROPERTY OF Amphenol LTW. DISCLOSURE TO THIRD PARTY HAS TO BE AUTHORIZED BY Amphenol LTW.



NOTE:  
 \* Connector Orient follow Drawing



UNIT: mm		
TOLERANCE	.X	±0.25
	.XX	±0.1
	.XXX	±0.05
ANGLES		±1°

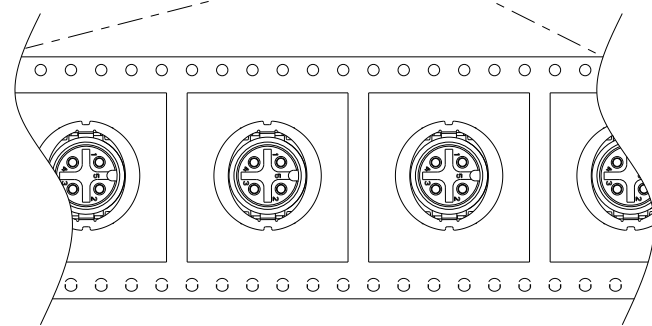
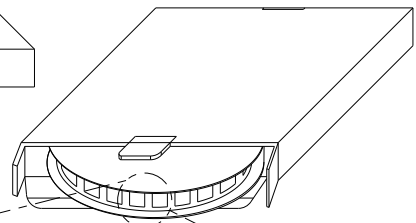
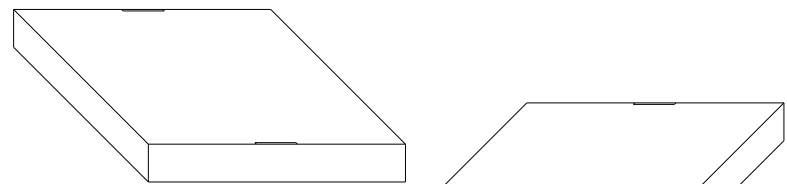
TITLE N SEN, M12 B -SHLD, NONE RECEPTACLE, F, F, PCB SMT			
SCALE	FREE	SIZE	A4
		SHEET	2 OF 3
REV.	C	WC-REV.	A.1

**Amphenol LTW**  
 安費諾亮泰企業股份有限公司

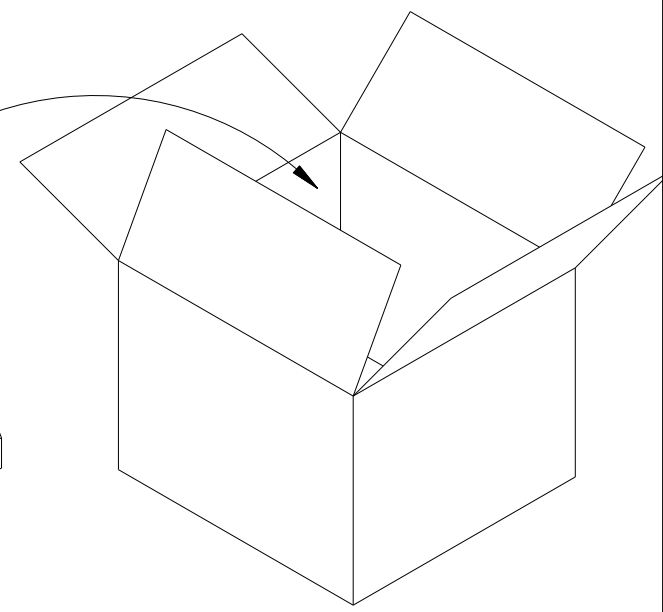
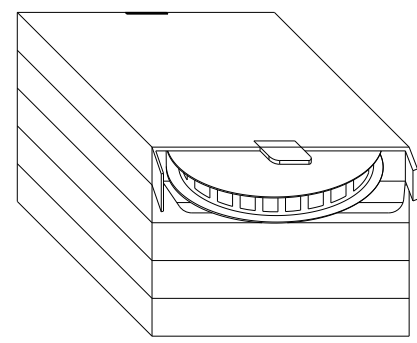
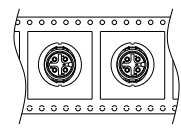
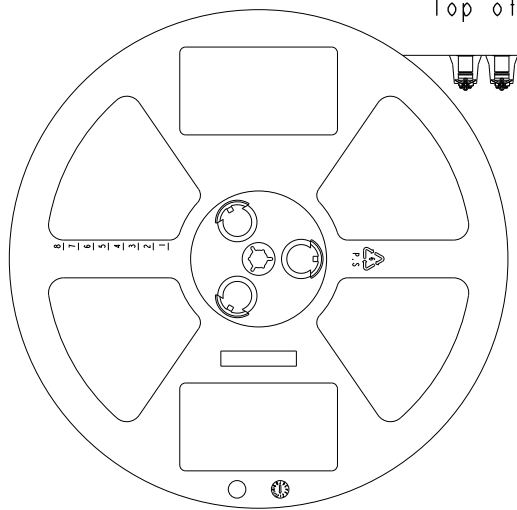
ITEM NO	DRAWN BY	DATE
DWG NO	CHECKED BY	DATE
CUSTOMER	APPROVED BY	DATE
ALTW	Allen Pan	2020-07-14
	Sam Ho	2020-07-14
	Fred Lee	2020-07-14

DATE	2020-07-14
DATE	2020-07-14
DATE	2020-07-14

THIS DOCUMENT IS SUBJECT TO CHANGE WITHOUT NOTICE. IT IS CONFIDENTIAL AND A PROPERTY OF Amphenol LTW. DISCLOSURE TO THIRD PARTY HAS TO BE AUTHORIZED BY Amphenol LTW.



Top of Reel →



Note:  
 100 PCS(Connector)/Tape&Reel Put in a Box  
 5PCS(Max.) Box Put in a Carton

UNIT: mm	
TOLERANCE	
.X	±0.25
.XX	±0.1
.XXX	±0.05
ANGLES	±1°

TITLE N SEN, M12 B -SHLD, NONE RECEPTACLE, F, F, PCB SMT			
SCALE	SIZE	SHEET	OF
FREE	A4	3	3
REV.	WC-REV.	QC: Inspection item	
C	A.1		

**Amphenol LTW**  
 安費諾亮泰企業股份有限公司

ITEM NO	DRAWN BY
DWG NO	CHECKED BY
CUSTOMER	APPROVED BY
ALTW	Fred Lee

DATE
DATE
DATE
2020-07-14
2020-07-14
2020-07-14

DATE
DATE
DATE
2020-07-14
2020-07-14
2020-07-14