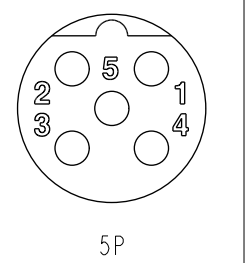
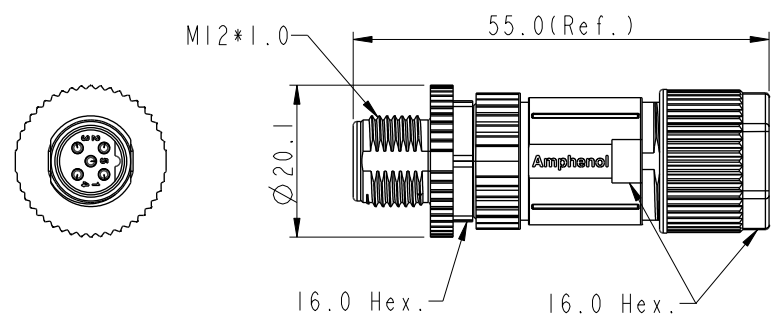
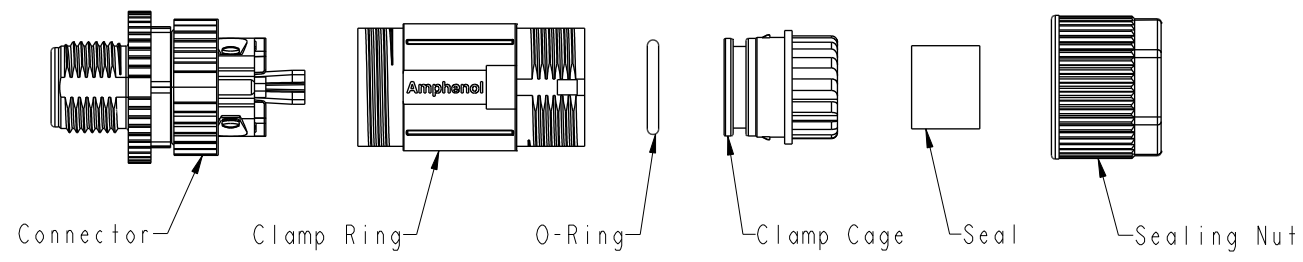


THIS DOCUMENT IS SUBJECT TO CHANGE WITHOUT NOTICE. IT IS CONFIDENTIAL AND A PROPERTY OF Amphenol LTW. DISCLOSURE TO THIRD PARTY HAS TO BE AUTHORIZED BY Amphenol LTW.

REV.	ECN NO.	DATE	SIGN	DESCRIPTION
C	C210084	2021/01/18	Vicky	$\triangle C$ X4
D	C210561	2021/04/16	Vicky	$\triangle D$ X3
E	C221877	2022/12/13	Ruru	$\triangle E$ X1

$\triangle B$ MSBS-XXBMMB-SL7001
 XX: No. Of Pin



Pin Assignments
Front View

- $\triangle B$ $\triangle D$
 Note:
- * RoHS Compliant
 - * $\text{\textcircled{C}}$ Important Dimension
 - $\triangle E$ * Waterproof rate: IP67, mated
 - * Connector
 - Housing: Thermoplastic, Black
 - Pin: Copper alloy, Gold plated
 - $\triangle C$ Extension Nut: Metal
 - $\triangle C$ Nut: Metal
 - O-Ring: Rubber, Gray
 - $\triangle C$ * Clamp Ring: Metal
 - * O-Ring: Rubber, Gray
 - * Clamp Cage: Thermoplastic, Black
 - $\triangle C$ * Sealing Nut: Metal
 - * Seal: Rubber, Gray, OD: \varnothing 4.0mm~ \varnothing 7.5mm
 - * One set unassembled in one pe bag

UNIT:mm	$\text{\textcircled{+}}$	$\text{\textcircled{+}}$
TOLERANCE		
.X	± 0.25	
.XX	± 0.1	
.XXX	± 0.05	
ANGLES	$\pm 1^\circ$	

TITLE N SEN, M12 B -SHLD, SCREW $\triangle B$ $\triangle D$ CABLE W/O SR, M, M, FI SCREW IN			
SCALE 1:1	SIZE A4	SHEET 1 OF 1	
REV. E	WC-REV. A.3	$\text{\textcircled{C}}$: Inspection item	

Amphenol LTW
 安費諾亮泰企業股份有限公司

ITEM NO	DRAWN BY Mila	DATE 2015-10-13
DWG NO $\triangle B$ MSBS-XXBMMB-SL7001	CHECKED BY Cary	DATE 2015-10-13
CUSTOMER ALTW	APPROVED BY Jerry	DATE 2015-10-13