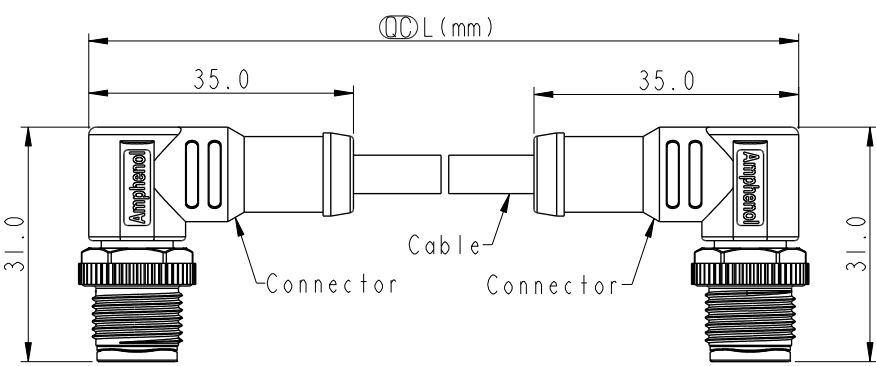


THIS DOCUMENT IS SUBJECT TO CHANGE WITHOUT NOTICE. IT IS CONFIDENTIAL AND A PROPERTY OF Amphenol LTW. DISCLOSURE TO THIRD PARTY HAS TO BE AUTHORIZED BY Amphenol LTW.

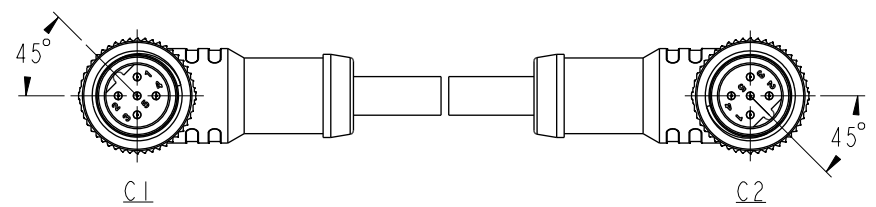
REV.	ECN NO.	DATE	SIGN	DESCRIPTION
B	C201808	2020/11/19	Vicky	$\triangle B$ X3
C	C210497	2021/03/31	Ruru	$\triangle C$ X2
D	C230014	2022/12/30	Ruru	$\triangle D$ X1



$\triangle B$  MSBPXXMR-SBPMR-SBXXX

XX: No. Of Pin

XXX: 0.5~99Meters  
 A05: 0.5 Meter  
 001: 1 Meter  
 002: 2 Meters  
 :  
 099: 99 Meters

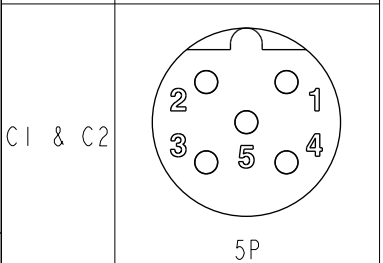


Note:  $\triangle B$   $\triangle C$

- \* RoHS Compliant
- \*  $\odot$  Important dimension
- $\triangle$  \* Waterproof rate: IP68, mated 1m/24h  
 IP69K, mated

- \* Connector:  
 Housing: Thermoplastic, Black  
 Pin: Copper alloy, Gold plated  
 Nut: Thermoplastic, Black  
 Outer mold: Thermoplastic, Black
- \* Cable: UL20549, 22#5C, OD=4.4mm, PUR Jacket, Black
- \* Cable length tolerance:  
 0.5M < L ≤ 1M: +60/-0 mm  
 1M < L ≤ 3M: +120/-0 mm  
 3M < L ≤ 5M: +160/-0 mm  
 5M < L ≤ 10M: ±100 mm  
 10M < L ≤ 20M: ±200 mm  
 20M < L ≤ 30M: ±300 mm  
 30M < L ≤ 99M: ±500 mm

Pin Out	Wire	Color
5	Gary	灰
4	Black	黑
3	Blue	藍
2	White	白
1	Brown	棕



Pin Assignments Front View

UNIT:mm	$\odot$	$\nabla$
TOLERANCE	±0.5 mm	

TITLE ACC, SEN, B Code, DB-ENDED MM $\triangle C$		
SCALE 1:1	SIZE A4	SHEET 1 OF 1
REV. D	WC-REV.	$\odot$ : Inspection item

**Amphenol LTW**  
 安費諾亮泰企業股份有限公司

ITEM NO	DRAWN BY Ruru	DATE 2018-12-11
DWG NO $\triangle B$ MSBPXXMR-SBPMR-SBXXX	CHECKED BY Rita	DATE 2018-12-11
CUSTOMER ALTW	APPROVED BY Max	DATE 2018-12-11