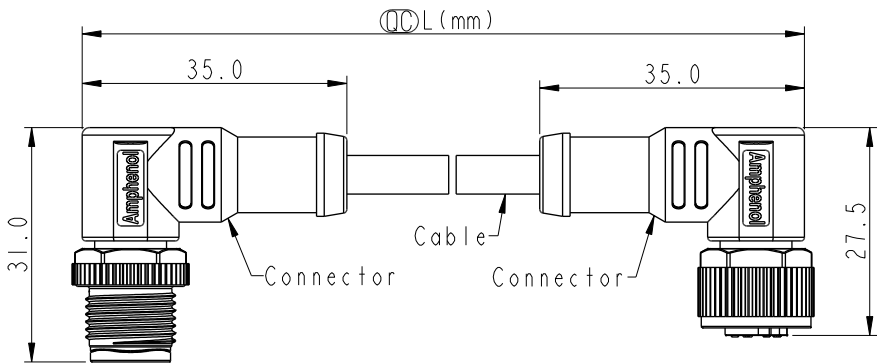


THIS DOCUMENT IS SUBJECT TO CHANGE WITHOUT NOTICE. IT IS CONFIDENTIAL AND A PROPERTY OF Amphenol LTW. DISCLOSURE TO THIRD PARTY HAS TO BE AUTHORIZED BY Amphenol LTW.

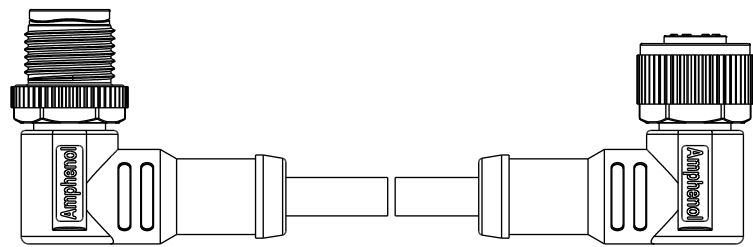
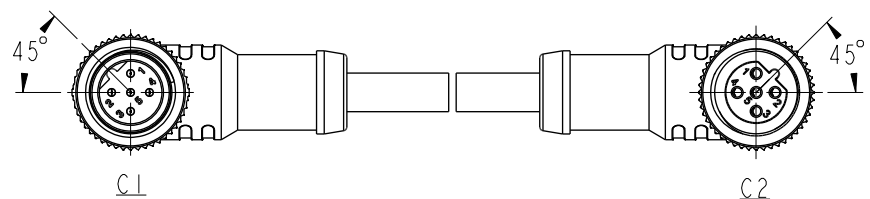
REV.	ECN NO.	DATE	SIGN	DESCRIPTION
B	C201808	2020/11/19	Vicky	△B X3
C	C210497	2021/03/31	Ruru	△C X2
D	C230014	2022/12/30	Ruru	△D X2



△B MSBPXXMR-SBPFR-SDXXX

XX: No. Of Pin

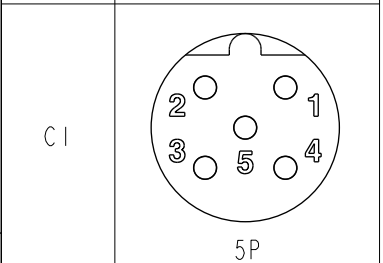
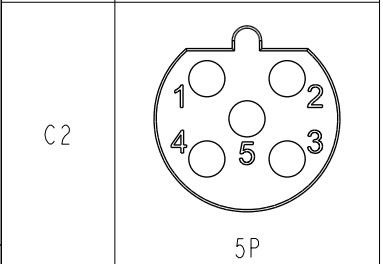
XXX: 0.5~99Meters
 A05: 0.5 Meter
 001: 1 Meter
 002: 2 Meters
 :
 099: 99 Meters



Note: △B △C

- * RoHS Compliant
- * (L) Important dimension
- * C1
- △D Waterproof rate: IP68, mated 1m/24h
IP69K, mated
- Housing: Thermoplastic, Black
- Pin: Copper alloy, Gold plated
- Nut: Thermoplastic, Black
- Outer mold: Thermoplastic, Black
- * C2
- △D Waterproof rate: IP68, mated 1m/24h
IP69K, mated
- Housing: Thermoplastic, Black
- Pin: Copper alloy, Gold plated
- O-Ring: Rubber, Green
- Nut: Thermoplastic, Black
- Outer mold: Thermoplastic, Black
- * Cable: UL2517, 22#*5C, OD=5.1mm, PVC Jacket, Black
- * Cable length tolerance: 0.5M < L ≤ 1M: +60/-0 mm
 1M < L ≤ 3M: +120/-0 mm
 3M < L ≤ 5M: +160/-0 mm
 5M < L ≤ 10M: ±100 mm
 10M < L ≤ 20M: ±200 mm
 20M < L ≤ 30M: ±300 mm
 30M < L ≤ 99M: ±500 mm

Pin Out	Wire	Color
5	Gary	灰
4	Black	黑
3	Blue	藍
2	White	白
1	Brown	棕



Pin Assignments Front View

UNIT:mm	
TOLERANCE	±0.5 mm

TITLE ACC, SEN, B Code, DB-ENDED MF △C			
SCALE 1:1	SIZE A4	SHEET 1	OF 1
REV. D	WC-REV. A.5	◎: Inspection item	

Amphenol LTW
 安費諾亮泰企業股份有限公司

ITEM NO	DRAWN BY Ruru	DATE 2018-12-11
DWG NO △B MSBPXXMR-SBPFR-SDXXX	CHECKED BY Rita	DATE 2018-12-11
CUSTOMER ALTW	APPROVED BY Max	DATE 2018-12-11