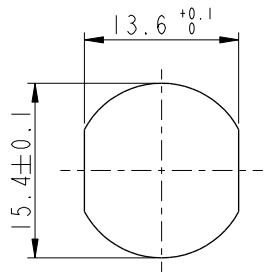


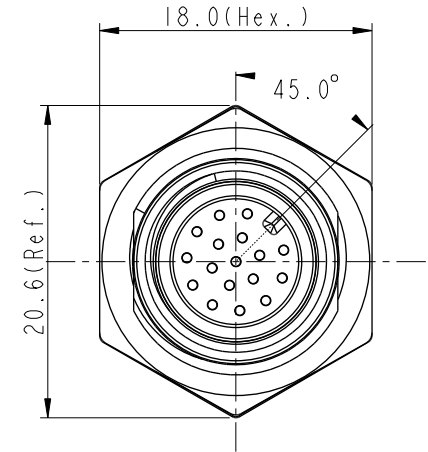
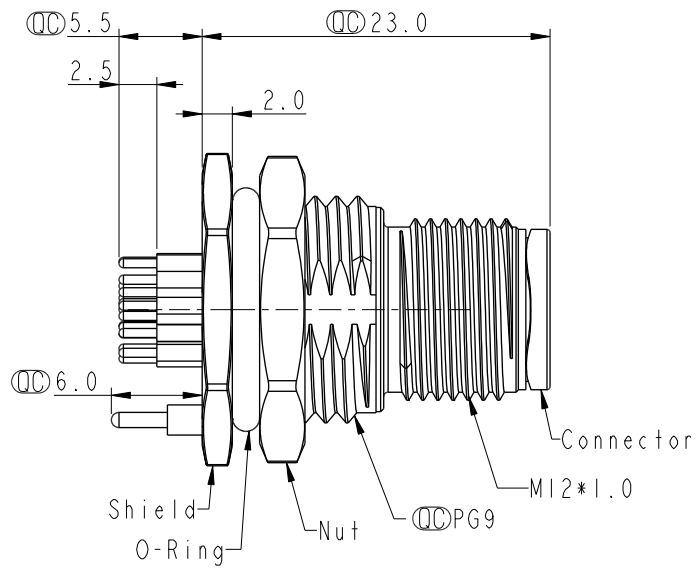
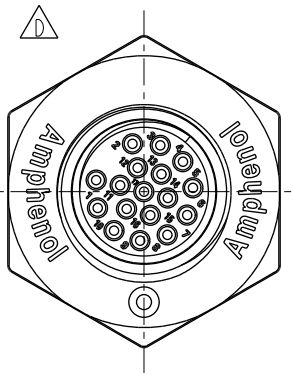
THIS DOCUMENT IS SUBJECT TO CHANGE WITHOUT NOTICE. IT IS CONFIDENTIAL AND A PROPERTY OF Amphenol LTW. DISCLOSURE TO THIRD PARTY HAS TO BE AUTHORIZED BY Amphenol LTW.

REV.	ECN NO.	DATE	SIGN	DESCRIPTION
G	C210309	2021/03/09	Ruru	△G X3
H	C221973	2022/12/26	Ruru	△H XI
I	C231034	2023/08/09	Ruru	△I XI

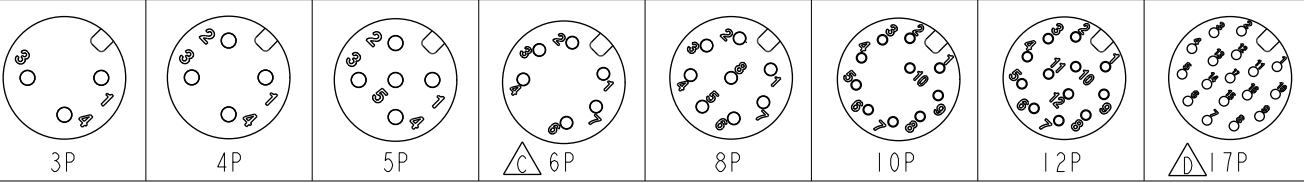


Recommended Panel Cut-Out

△B  
 △E  
 MSAS-XXPMMP-SF8001  
 XX: No. Of Pin



- △E△G Note:
- \* RoHS Compliant
  - \* ∅ Important dimension
  - △H△C \* Waterproof rate: IP68, unmated 1m/24h  
 △I IP69K, mated
  - \* Connector  
 Housing: Thermoplastic, Black  
 Pin: Copper alloy, Gold plated  
 Shield: Metal  
 △E△F \* Nut: Metal  
 \* O-Ring: Rubber, Black  
 \* For panel thickness max: 4.5mm  
 \* Nut is packed separately in pe bag



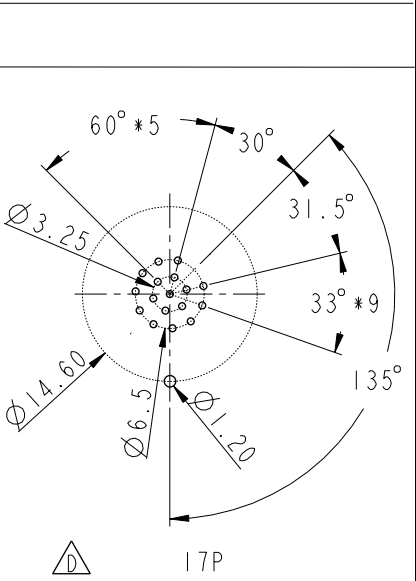
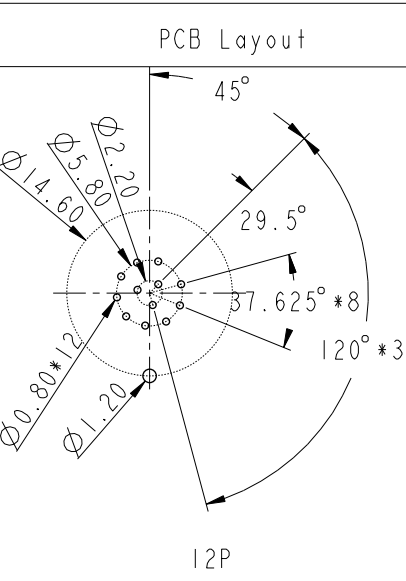
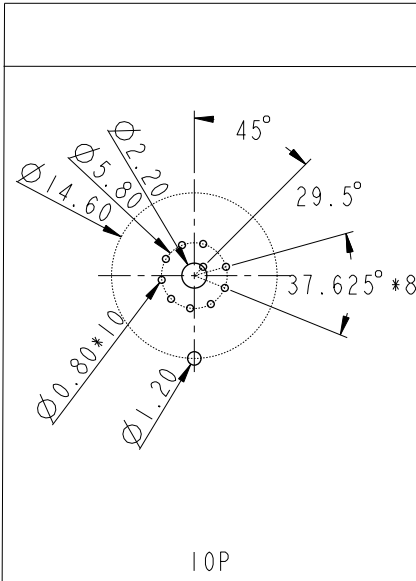
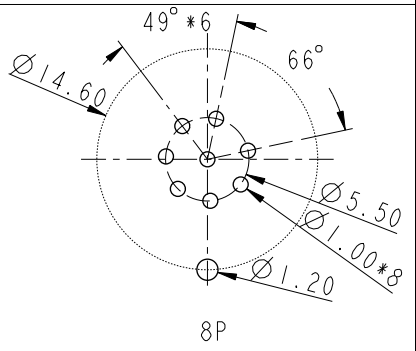
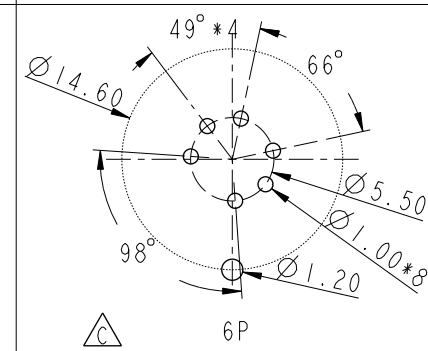
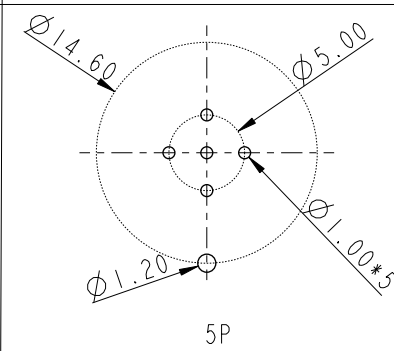
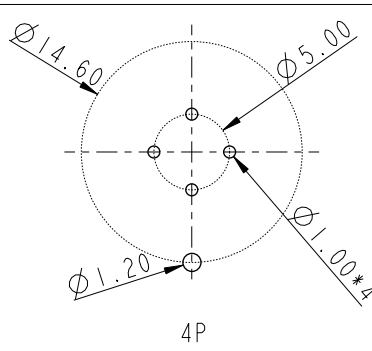
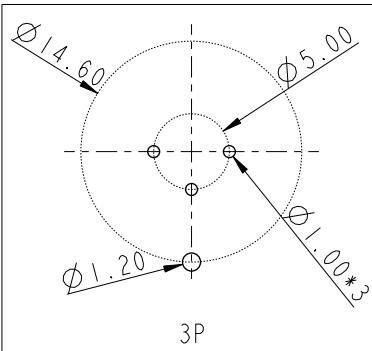
Pin Assignment Front View

UNIT: mm		TITLE	<h1>Amphenol LTW</h1> <p>安費諾亮泰企業股份有限公司</p>		ITEM NO	DRAWN BY	DATE
		N SEN, M12 A -SHLD, SCREW RECEPTACLE, M, M, PCB S △G			DWG NO	CHECKED BY	DATE
TOLERANCE		SCALE	SIZE	SHEET	CUSTOMER	APPROVED BY	DATE
.X ±0.25		2:1	A4	1 OF 2	MSAS-XXPMMP-SF8001	Jinhai	2016-08-10
.XX ±0.1		REV.	WC-REV.	∅: Inspection item	ALTW	Jerry	2016-08-10
.XXX ±0.05		1	A.5				
ANGLES ±1°							

THIS DOCUMENT IS SUBJECT TO CHANGE WITHOUT NOTICE. IT IS CONFIDENTIAL AND A PROPERTY OF Amphenol LTW. DISCLOSURE TO THIRD PARTY HAS TO BE AUTHORIZED BY Amphenol LTW.

1 2 3 4 5 6 7 8

F  
E  
D  
C  
B  
A



PCB Layout

UNIT: mm		
TOLERANCE	.X ±0.25	
	.XX ±0.1	
	.XXX ±0.05	
ANGLES	±1°	

TITLE N SEN, M12 A -SHLD, SCREW RECEPTACLE, M, M, PCB S			
SCALE 2:1	SIZE A4	SHEET 2 OF 2	
REV. 1	WC-REV. A.4	☉: Inspection item	

**Amphenol LTW**  
安費諾亮泰企業股份有限公司

ITEM NO	
DWG NO	MSAS-XXPMMP-SF8001
CUSTOMER	ALTW

DRAWN BY	Yulong_wang
CHECKED BY	Jinhai
APPROVED BY	Jerry

DATE	2016-08-10
DATE	2016-08-10
DATE	2016-08-10