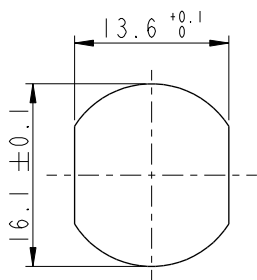
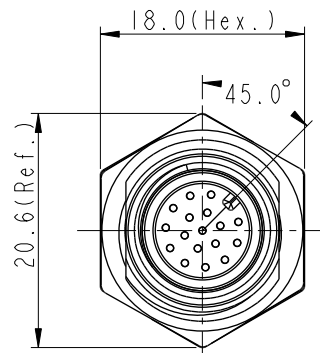
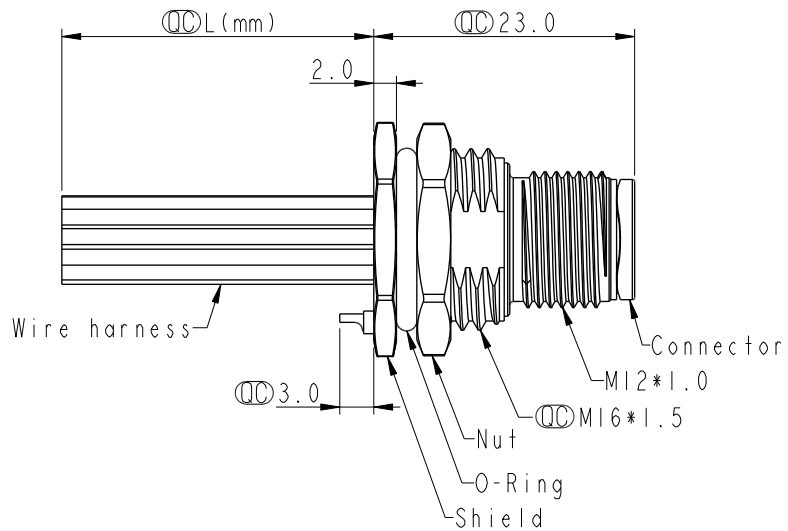
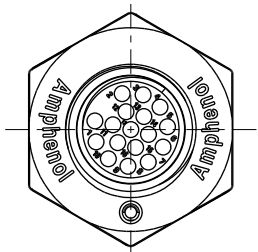


REV.	ECN NO.	DATE	SIGN	DESCRIPTION
F	C210241	2021/04/13	Ruru	$\triangle F$ X4
G	C221928	2022/12/20	Ruru	$\triangle G$ X1
H	C231032	2023/08/07	Ruru	$\triangle H$ X1



Recommended Panel Cut-Out

- Note: $\triangle B \triangle D \triangle E \triangle F$
- * RoHS Compliant
 - * CC Important dimension
 - $\triangle G$ * Waterproof rate: IP68, unmated 1m/24h
 - $\triangle H$ * IP69K, mated
 - * Connector
 - Housing: Thermoplastic, Black
 - Pin: Copper alloy, Gold plated
 - * Shield: Metal
 - * Nut: Metal
 - * O-Ring: Rubber, Black
 - * Wire harness: UL1061
 - * For panel thickness max: 4.5mm
 - * O-Ring and nut are assembled on connectors
 - * Wire harness tolerance: 100mm: ± 10 mm
 - 100mm < L \leq 300mm: ± 15 mm
 - 300mm < L \leq 1000mm: ± 20 mm
 - 1000mm < L \leq 1500mm: ± 50 mm

UNIT: mm	
TOLERANCE	
.X	± 0.25
.XX	± 0.1
.XXX	± 0.05
ANGLES	$\pm 1^\circ$

TITLE N SEN, M12 A -SHLD, SCREW RECEPTACLE, M, M, FI/PANEL CRIMP $\triangle F$			
SCALE 1:1	SIZE A4	SHEET 1 OF 2	
REV. H	WC-REV. A.5	CC : Inspection item	

Amphenol LTW
安費諾亮泰企業股份有限公司

ITEM NO	DRAWN BY Vicky	DATE 2019-09-24
DWG NO \triangle MSAS-XXPMC-SF8CXX	CHECKED BY Rita	DATE 2019-09-24
CUSTOMER ALTW	APPROVED BY Max	DATE 2019-09-24

THIS DOCUMENT IS SUBJECT TO CHANGE WITHOUT NOTICE. IT IS CONFIDENTIAL AND A PROPERTY OF Amphenol LTW. DISCLOSURE TO THIRD PARTY HAS TO BE AUTHORIZED BY Amphenol LTW.

THIS DOCUMENT IS SUBJECT TO CHANGE WITHOUT NOTICE. IT IS CONFIDENTIAL AND A PROPERTY OF AMPHENOL LTW. DISCLOSURE TO THIRD PARTY HAS TO BE AUTHORIZED BY AMPHENOL LTW.

17P	26	MSAS-17PMMC-SF8CXX
5P	22	MSAS-05PMMC-SF8CXX
4P		MSAS-04PMMC-SF8CXX
3P		MSAS-03PMMC-SF8CXX
Contacts	AWG	Item No.

△B△D△F
MSAS-XXPMMC-SF8CXX

XX: No. Of Pin

10: 100mm
 15: 150mm
 20: 200mm
 ↓
 95: 950mm
 Cable Pitch Unit=50mm
 ↓
 A0: 1000mm
 ↓
 A5: 1500mm
 Cable Pitch Unit=100mm
 Wire Length (L): 150~1500 mm

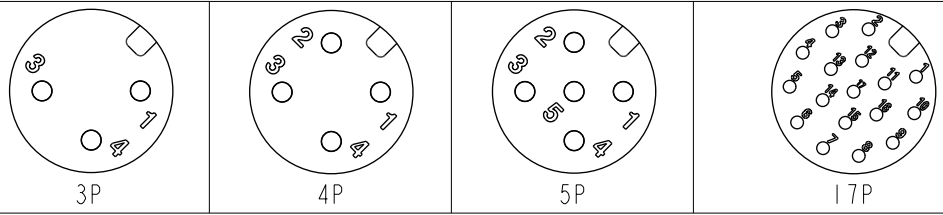
△C

17	White/Gray	白/灰
16	Yellow/Brown	黃/棕
15	White/Yellow	白/黃
14	Brown/Green	棕/綠
13	White/Green	白/綠
12	Red/Blue	紅/藍
11	Gray/Pink	灰/粉
10	Violet	紫
9	Red	紅
8	Gray	灰
7	Black	黑
6	Yellow	黃
5	Pink	粉
4	Green	綠
3	White	白
2	Blue	藍
1	Brown	棕

5	--	黑	5	--	灰	5	Gray	灰
4	Black	黑	4	Black	黑	4	Black	黑
3	Blue	藍	3	Blue	藍	3	Blue	藍
2	--		2	White	白	2	White	白
1	Brown	棕	1	Brown	棕	1	Brown	棕

Pin # Wire Pin # Wire Pin # Wire Pin # Wire

Pin Out



Pin Assignments Front View

UNIT: mm			TITLE N SEN, M12 A -SHLD, SCREW RECEPTACLE, M, M, FI/PANEL CRIMP △F
TOLERANCE .X ±0.25 .XX ±0.1 .XXX ±0.05 ANGLES ±1°	SCALE 1:1	SIZE A4	SHEET 2 OF 2
	REV. H	WC-REV. A.5	QC: Inspection item

Amphenol LTW
安費諾亮泰企業股份有限公司

ITEM NO	DRAWN BY Vicky	DATE 2019-09-24
DWG NO △MSAS-XXPMMC-SF8CXX	CHECKED BY Rita	DATE 2019-09-24
CUSTOMER ALTW	APPROVED BY Max	DATE 2019-09-24