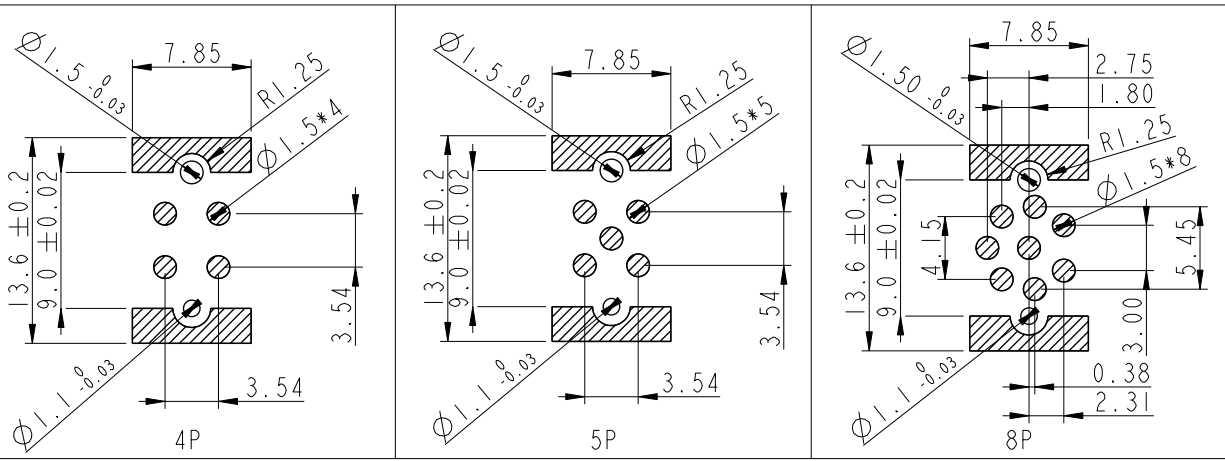
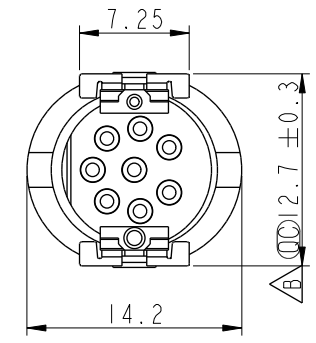
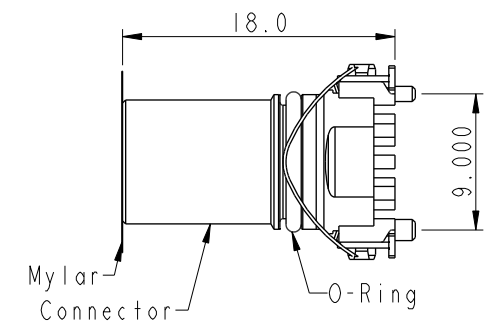
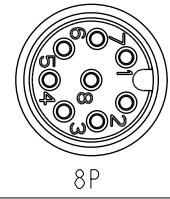
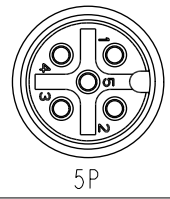
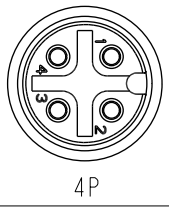


REV.	ECN NO.	DATE	SIGN	DESCRIPTION
A		2020-06-17	Allen Pan	Rev.02 To Rev.A
B	C210309	2021-03-10	Ruru	$\triangle B$ X6

$\triangle B$
MSAS-XXPFFT-EE0001
XX: No. Of Pin



PCB Layout



Pin Assignment Front View

- $\triangle B$ Note:
- * RoHS Compliant
 - * $\text{\textcircled{C}}$ Important dimension
 - * Waterproof rate: Non-Waterproof
 - * Connector
 - Housing: Thermoplastic, Black
 - Pin: Copper Alloy, Gold Plated
 - * O-Ring: Rubber, Black
 - * Mylar: PI, Amber

UNIT: mm		
TOLERANCE	.X ±0.25	
	.XX ±0.1	
	.XXX ±0.05	
ANGLES	±1°	

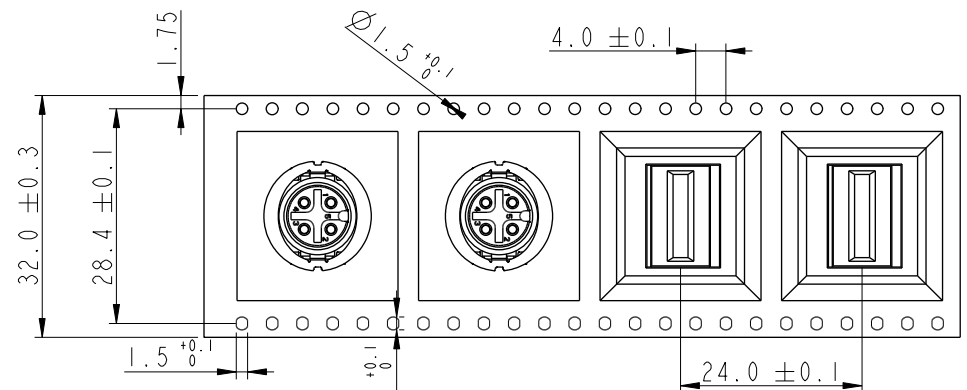
TITLE N SEN, M12 A -SHLD, NONE RECEPTACLE, F, F, PCB SMT $\triangle B$		
SCALE 2:1	SIZE A4	SHEET 1 OF 3
REV. B	WC-REV. A.1	$\text{\textcircled{C}}$: Inspection item

Amphenol LTW
安費諾亮泰企業股份有限公司

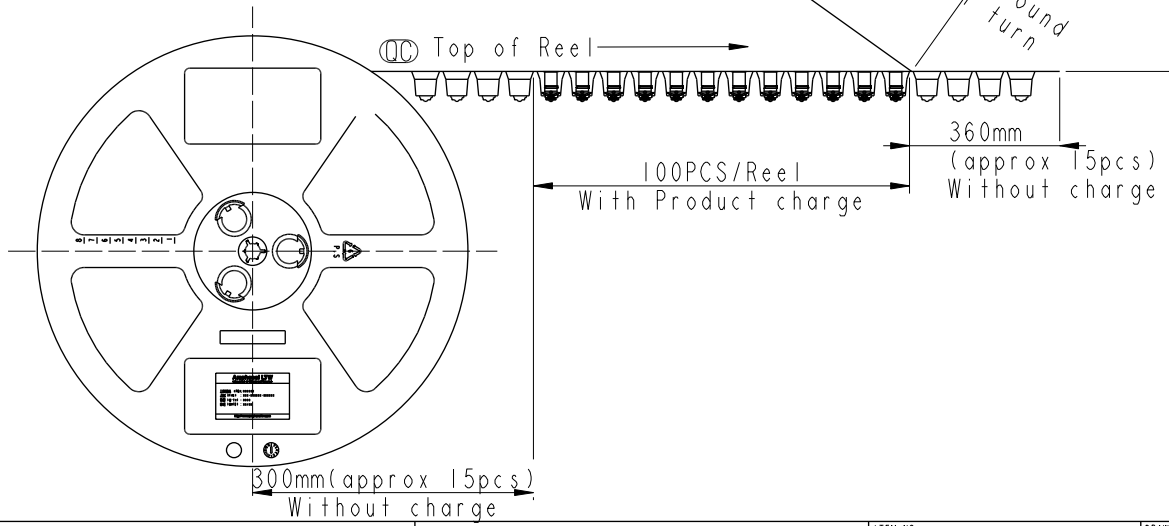
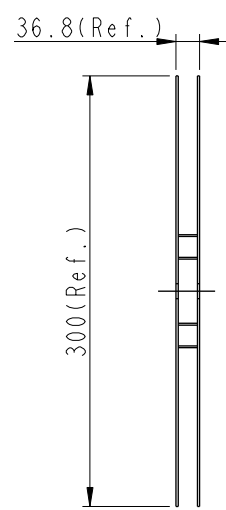
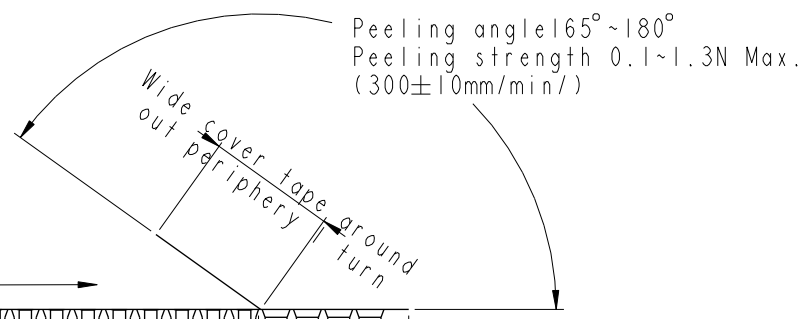
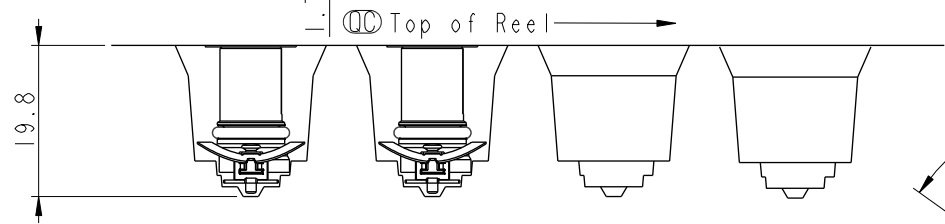
ITEM NO.	DRAWN BY Allen Pan	DATE 2020-06-17
DWG NO. MSAS-XXPFFT-EE0001	CHECKED BY Sam Ho	DATE 2020-06-17
CUSTOMER ALTW	APPROVED BY Fred Lee	DATE 2020-06-17

THIS DOCUMENT IS SUBJECT TO CHANGE WITHOUT NOTICE. IT IS CONFIDENTIAL AND A PROPERTY OF AMPHENOL LTW. DISCLOSURE TO THIRD PARTY HAS TO BE AUTHORIZED BY AMPHENOL LTW.

THIS DOCUMENT IS SUBJECT TO CHANGE WITHOUT NOTICE. IT IS CONFIDENTIAL AND A PROPERTY OF Amphenol LTW. DISCLOSURE TO THIRD PARTY HAS TO BE AUTHORIZED BY Amphenol LTW.



NOTE:
 * Connector Orient follow Drawing



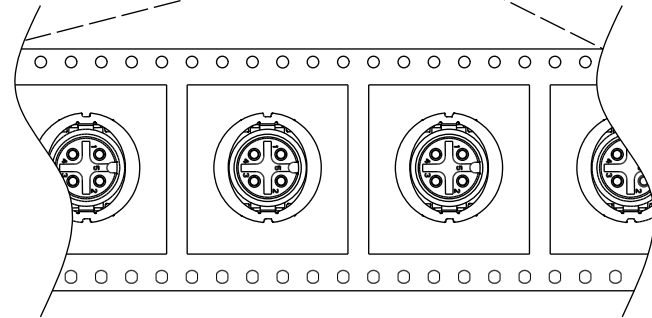
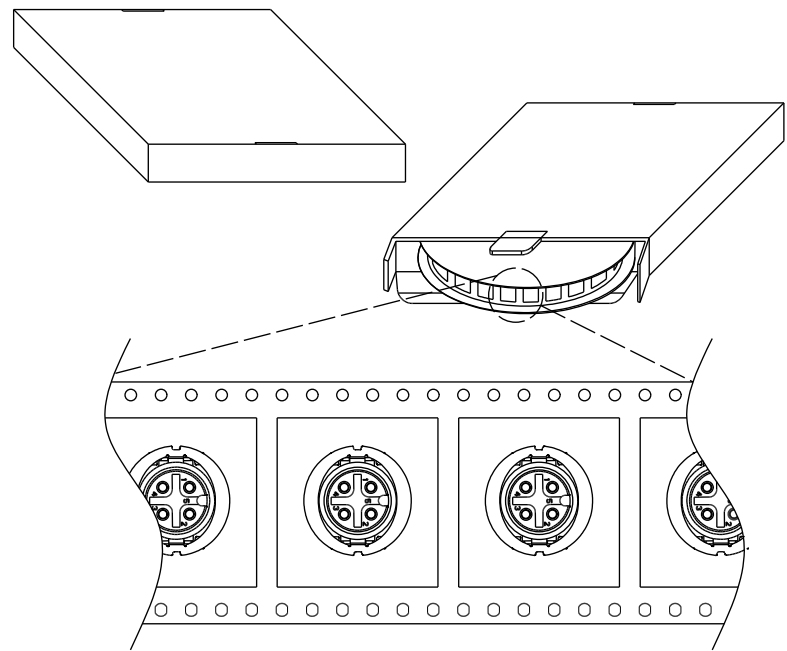
UNIT: mm		
TOLERANCE	.X ±0.25	
	.XX ±0.1	
	.XXX ±0.05	
ANGLES	±1°	

TITLE N SEN, M12 A -SHLD, NONE RECEPTACLE, F, F, PCB SMT			
SCALE	FREE	SIZE	A4
		SHEET	2 OF 3
REV.	B	WC-REV.	A.1

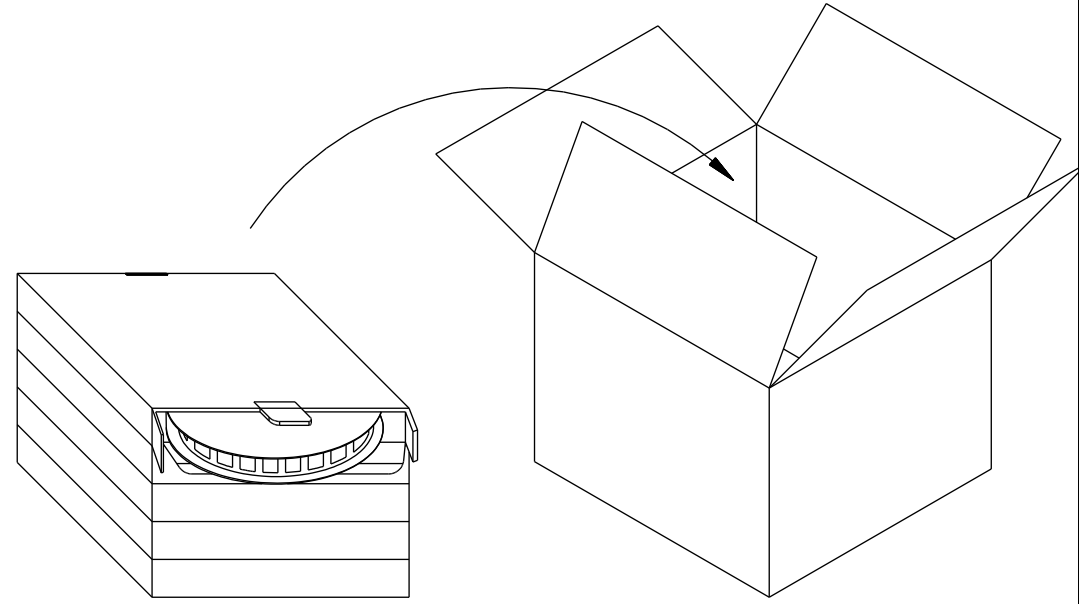
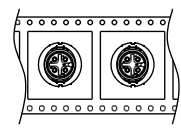
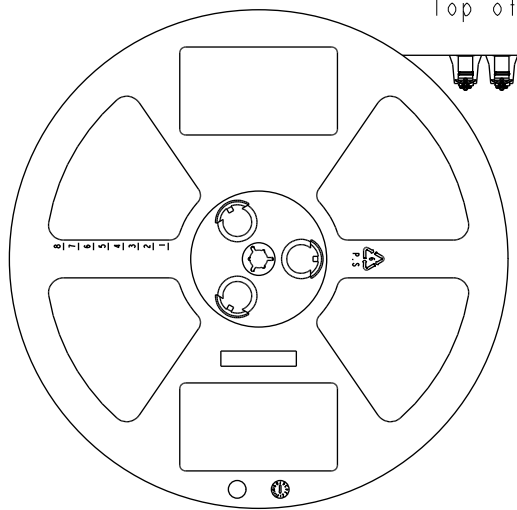
Amphenol LTW
 安費諾亮泰企業股份有限公司

ITEM NO	DRAWN BY	DATE
DWG NO	CHECKED BY	DATE
CUSTOMER	APPROVED BY	DATE
ALTW	Allen Pan	2020-06-17
	Sam Ho	2020-06-17
	Fred Lee	2020-06-17

DATE	2020-06-17
DATE	2020-06-17
DATE	2020-06-17



Top of Reel →



Note:
 100 PCS(Connector)/Tape&Reel Put in a Box
 5PCS(Max.) Box Put in a Carton

UNIT: mm		
TOLERANCE		
.X	±0.25	
.XX	±0.1	
.XXX	±0.05	
ANGLES	±1°	

TITLE N SEN, M12 A -SHLD, NONE RECEPTACLE, F, F, PCB SMT			
SCALE	SIZE	SHEET	OF
FREE	A4	3	3
REV.	WC-REV.	QC: Inspection item	
B	A.1		

Amphenol LTW
 安費諾亮泰企業股份有限公司

ITEM NO	DRAWN BY
DWG NO	CHECKED BY
CUSTOMER	APPROVED BY
ALTW	Fred Lee

DATE
DATE
DATE
2020-06-17
2020-06-17
2020-06-17

DATE
DATE
DATE
2020-06-17
2020-06-17
2020-06-17