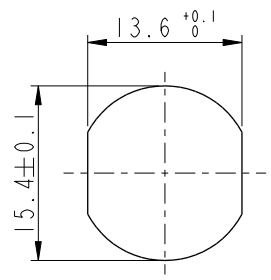


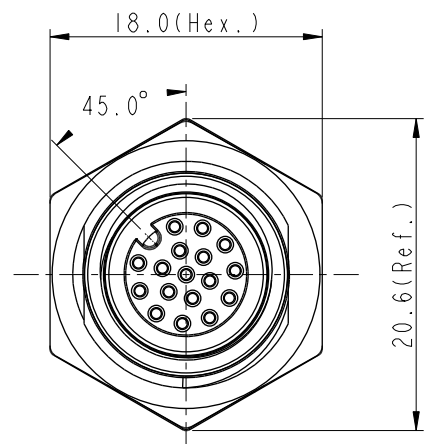
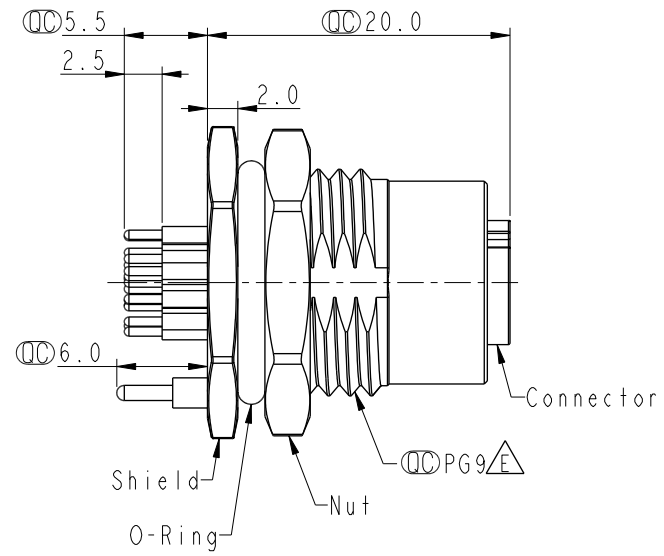
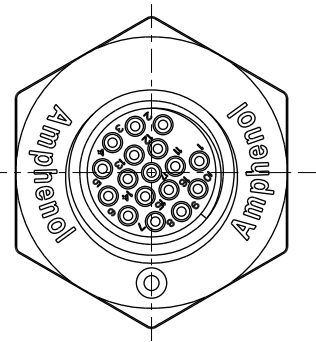
THIS DOCUMENT IS SUBJECT TO CHANGE WITHOUT NOTICE. IT IS CONFIDENTIAL AND A PROPERTY OF Amphenol LTW. DISCLOSURE TO THIRD PARTY HAS TO BE AUTHORIZED BY Amphenol LTW.

REV.	ECN NO.	DATE	SIGN	DESCRIPTION
G	C220853	2022/06/07	Arvin Chan	△G XI
H	C221973	2022/12/26	Ruru	△H XI
I	C231034	2023/08/09	Ruru	△I XI

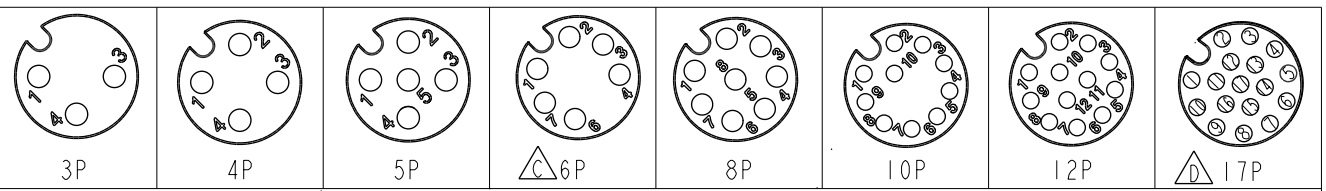


Recommended Panel Cut-Out

△E
△A
△D
△F
MSAS-XXPFFP-SF8001
XX: No. Of Pin



- △E△F Note:
- * RoHS Compliant
 - * (M) Important dimension
 - △H△C * Waterproof rate: IP68, unmated 1m/24h
△I IP69K, mated
 - * Connector
Housing: Thermoplastic, Black
Pin: Copper alloy, Gold plated
O-Ring: Rubber, Green
 - * Shield: Metal
 - * Nut: Metal
 - * O-Ring: Rubber, Black
 - * For panel thickness max: 4.5mm
 - * Nut is packed separately in pe bag



Pin Assignment Front View

UNIT: mm		TITLE N SEN, M12 A -SHLD, SCREW RECEPTACLE, F, F, PCB S △F		<h1>Amphenol LTW</h1> <p>安費諾亮泰企業股份有限公司</p>		ITEM NO	DRAWN BY	DATE
		TOLERANCE .X ±0.25 .XX ±0.1 .XXX ±0.05 ANGLES ±1°	SCALE 2:1			SIZE A4	SHEET 1 OF 2	DWG NO MSAS-XXPFFP-SF8001
REV. 1		WC-REV. A.5	Inspection item		CUSTOMER ALTW	APPROVED BY Jerry	DATE 2016-08-09	

THIS DOCUMENT IS SUBJECT TO CHANGE WITHOUT NOTICE. IT IS CONFIDENTIAL AND A PROPERTY OF Amphenol LTW. DISCLOSURE TO THIRD PARTY HAS TO BE AUTHORIZED BY Amphenol LTW.

1 2 3 4 5 6 7 8

F

E

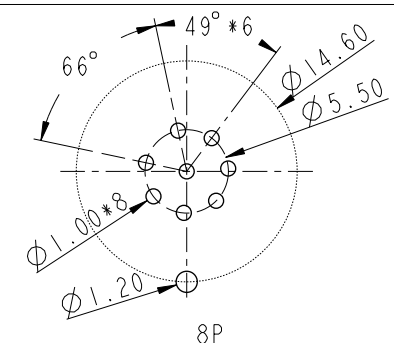
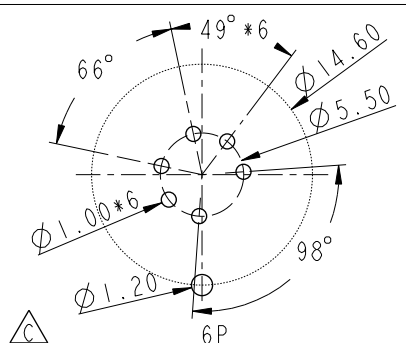
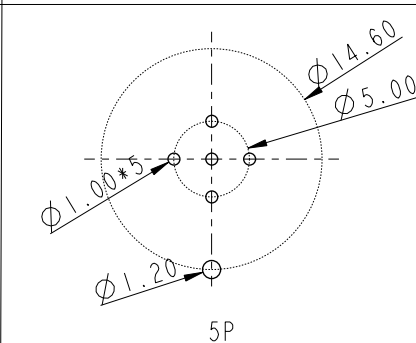
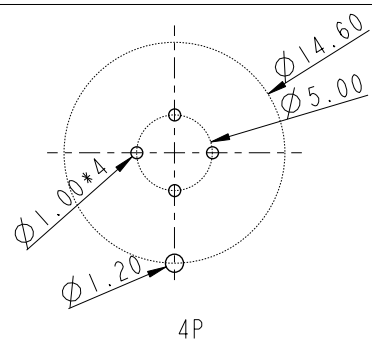
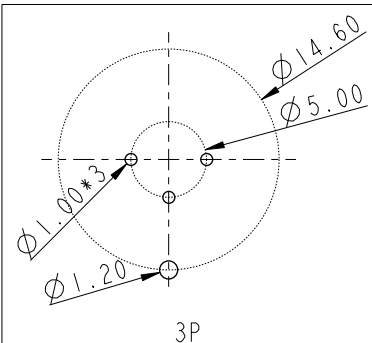
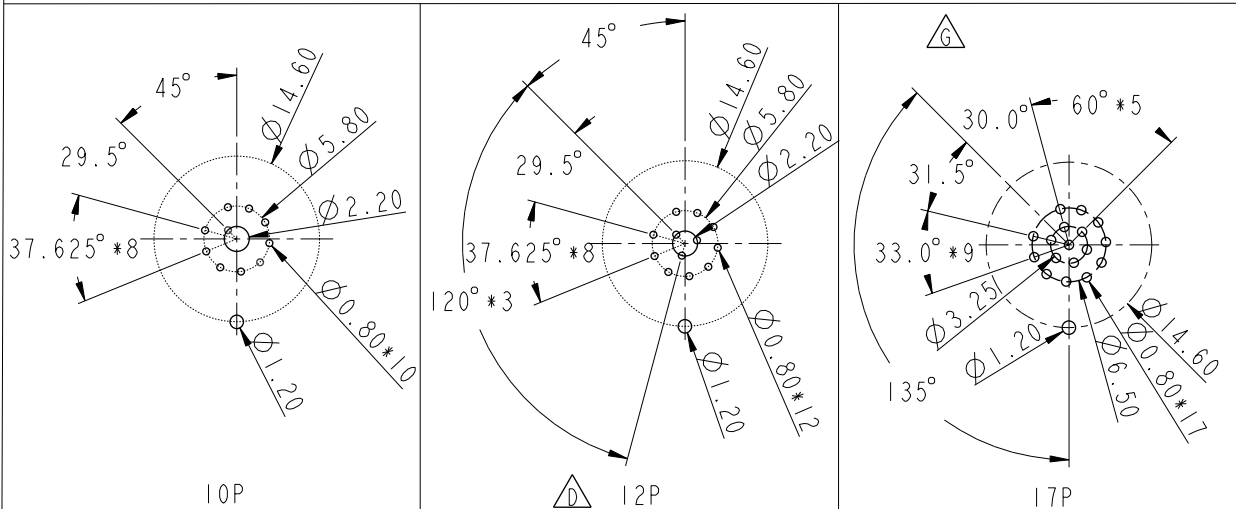
D

C

B

A

PCB Layout



UNIT: mm	
TOLERANCE	
.X	±0.25
.XX	±0.1
.XXX	±0.05
ANGLES	±1°

TITLE N SEN, M12 A -SHLD, SCREW RECEPTACLE, F, F, PCB S			
SCALE 2:1	SIZE A4	SHEET 2 OF 2	
REV. 1	WC-REV. A.4	☉: Inspection item	

Amphenol LTW
安費諾亮泰企業股份有限公司

ITEM NO	DWG NO
	MSAS-XXPFFP-SF8001
CUSTOMER	ALTW

DRAWN BY	Yulong_wang
CHECKED BY	Jinhai
APPROVED BY	Jerry

DATE	2016-08-09
DATE	2016-08-09
DATE	2016-08-09