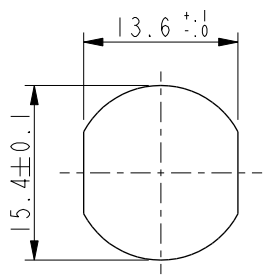
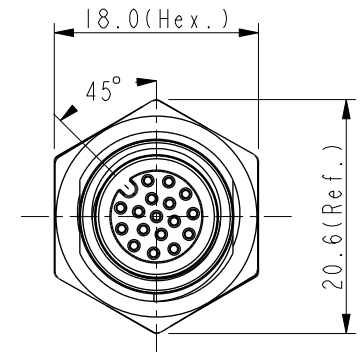
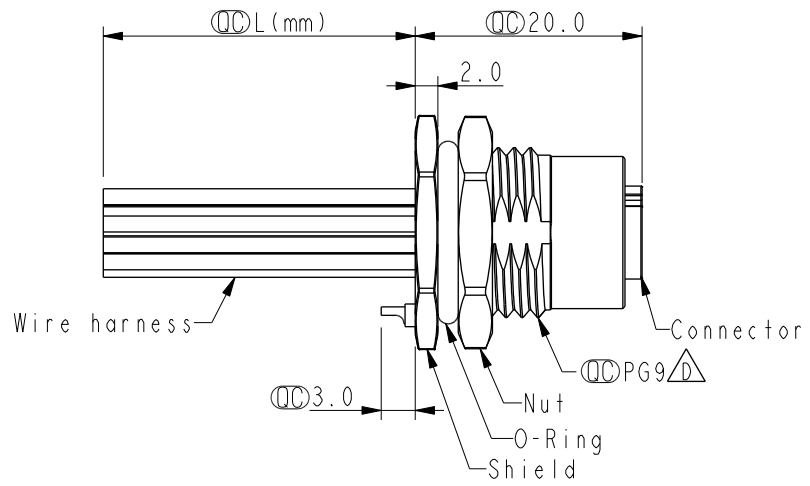
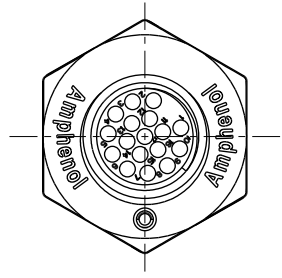


THIS DOCUMENT IS SUBJECT TO CHANGE WITHOUT NOTICE. IT IS CONFIDENTIAL AND A PROPERTY OF Amphenol LTW. DISCLOSURE TO THIRD PARTY HAS TO BE AUTHORIZED BY Amphenol LTW.

REV.	ECN NO.	DATE	SIGN	DESCRIPTION
E	C210241	2021/04/13	Ruru	△E X4
F	C221879	2022/12/20	Ruru	△F XI
G	C231032	2023/08/07	Ruru	△G XI



Recommended Panel Cut-Out

- Note: △B △C △D △E
- * RoHS Compliant
 - * ∅ Important dimension
 - △F * Waterproof rate: IP68, unmated 1m/24h
△G IP69K, mated
 - * Connector
 - Housing: Thermoplastic, Black
 - Pin: Copper alloy, Gold plated
 - O-Ring: Rubber, Green
 - Shield: Metal
 - * Nut: Metal
 - * O-Ring: Rubber, Black
 - * Wire harness: UL1061
 - * For panel thickness max: 4.5mm
 - * O-Ring and nut are assembled on connectors
 - * Wire harness tolerance: 100mm: ±10mm
100mm < L ≤ 300mm: ±15mm
300mm < L ≤ 1000mm: ±20mm
1000mm < L ≤ 1500mm: ±50mm

UNIT: mm	
TOLERANCE	
.X	±0.25
.XX	±0.1
.XXX	±0.05
ANGLES	±1°

TITLE N SEN, M12 A -SHLD, SCREW RECEPTACLE, F, F, FI/PANEL CRIMP			
SCALE 3:2	SIZE A4	SHEET 1 OF 2	
REV. G	WC-REV. A.3	∅ Inspection item	

Amphenol LTW
安費諾亮泰企業股份有限公司

ITEM NO.	DRAWN BY Vicky	DATE 2019-09-24
DWG NO. △MSAS-XXPFFC-SF8BXX	CHECKED BY Rita	DATE 2019-09-24
CUSTOMER ALTW	APPROVED BY Max	DATE 2019-09-24

THIS DOCUMENT IS SUBJECT TO CHANGE WITHOUT NOTICE. IT IS CONFIDENTIAL AND A PROPERTY OF AMPHENOL LTW. DISCLOSURE TO THIRD PARTY HAS TO BE AUTHORIZED BY AMPHENOL LTW.

17P	26	MSAS-17PFFC-SF8BXX
5P	22	MSAS-05PFFC-SF8BXX
4P		MSAS-04PFFC-SF8BXX
3P		MSAS-03PFFC-SF8BXX
Contacts	AWG	Item No.



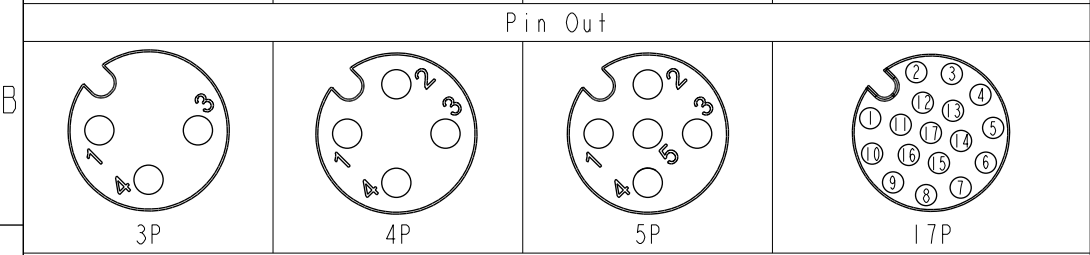
MSAS-XXPFFC-SF8BXX

XX: No. Of Pin

10:100mm
 15:150mm
 20:200mm
 ↓
 95:950mm
 Cable Pitch Unit:50mm
 A0:1000mm
 ↓
 A5:1500mm
 Cable Pitch Unit:100mm
 Wire Length(L):150~1500mm

5	--	5	--	5	Gray	灰	5	Pink	粉
4	Black	4	Black	4	Black	黑	4	Green	綠
3	Blue	3	Blue	3	Blue	藍	3	White	白
2	--	2	White	2	White	白	2	Blue	藍
1	Brown	1	Brown	1	Brown	棕	1	Brown	棕

17	White/Gray	白/灰
16	Yellow/Brown	黃/棕
15	White/Yellow	白/黃
14	Brown/Green	棕/綠
13	White/Green	白/綠
12	Red/Blue	紅/藍
11	Gray/Pink	灰/粉
10	Violet	紫
9	Red	紅
8	Gray	灰
7	Black	黑
6	Yellow	黃



Pin Assignments Front View

UNIT:mm

TOLERANCE
 .X ±0.25
 .XX ±0.1
 .XXX ±0.05
 ANGLES ±1°

TITLE
 N SEN, M12 A -SHLD, SCREW
 RECEPTACLE, F, F, FI/PANEL CRIMP

SCALE 3:2 SIZE A4 SHEET 2 OF 2

REV. G WC-REV. A.3 QC: Inspection item

Amphenol LTW
 安費諾亮泰企業股份有限公司

ITEM NO	DRAWN BY	DATE
DWG NO	CHECKED BY	DATE
CUSTOMER	APPROVED BY	DATE

MSAS-XXPFFC-SF8BXX
 ALTW
 Vicky
 Rita
 Max
 2019-09-24
 2019-09-24
 2019-09-24