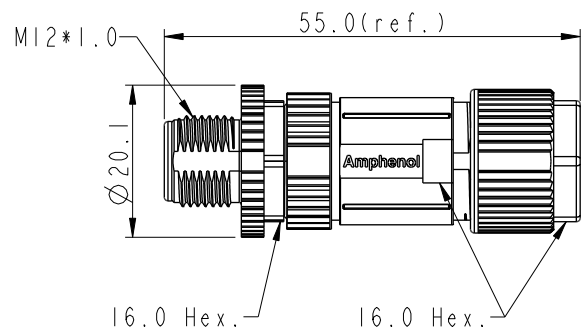
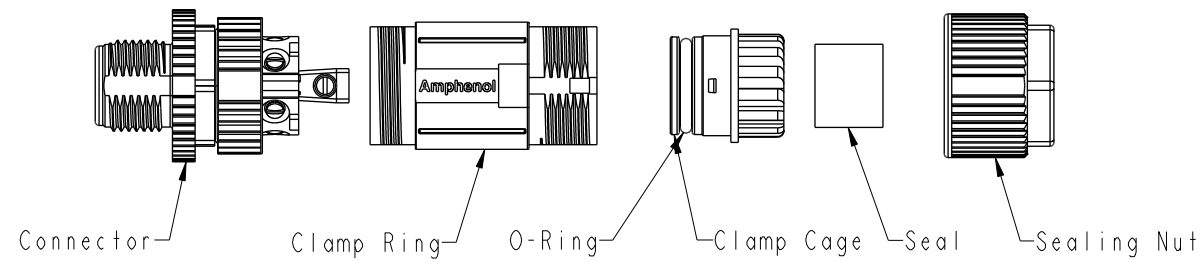


THIS DOCUMENT IS SUBJECT TO CHANGE WITHOUT NOTICE. IT IS CONFIDENTIAL AND A PROPERTY OF Amphenol LTW. DISCLOSURE TO THIRD PARTY HAS TO BE AUTHORIZED BY Amphenol LTW.

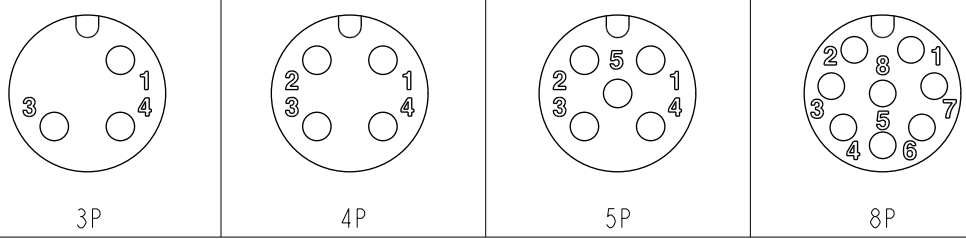
REV.	ECN NO.	DATE	SIGN	DESCRIPTION
B	C210561	2021/04/15	Vicky	$\triangle B$ X4
C	C221877	2022/12/12	Ruru	$\triangle C$ XI

$\triangle B$
MSAS-XXBMMB-SL7001

XX: No. Of Pin



- $\triangle B$
Note:
- * RoHS Compliant
 - * \odot Important Dimension
 - $\triangle C$ * Waterproof rate: IP67, mated
 - * Connector
 - Housing: Thermoplastic, Black
 - Pin: Copper alloy, Gold plated
 - Extension Nut: Metal
 - Nut: Metal
 - O-Ring: Rubber, Gray
 - * Clamp Ring: Metal
 - * O-Ring: Rubber, Gray
 - * Clamp Cage: Thermoplastic, Black
 - * Sealing Nut: Metal
 - * Seal: Rubber, Gray, OD: ϕ 4.0mm~ ϕ 7.5mm
 - * One set unassembled in one pe bag



Pin Assignments Front View

UNIT: mm	\odot	∇	TITLE N SEN, M12 A -SHLD, SCREW CABLE W/O SR, M, M, FI SCREW IN	$\triangle B$
TOLERANCE .X ± 0.25 .XX ± 0.1 .XXX ± 0.05 ANGLES $\pm 1^\circ$	$\triangle B$	SCALE 1:1	SIZE A4	SHEET 1 OF 1
		REV. C	WC-REV. A.5	\odot : Inspection item

Amphenol LTW
安費諾亮泰企業股份有限公司

ITEM NO	DRAWN BY Mila	DATE 2015-09-28
DWG NO MSAS-XXBMMB-SL7001	CHECKED BY Cary	DATE 2015-09-28
CUSTOMER ALTW	APPROVED BY Jerry	DATE 2015-09-28