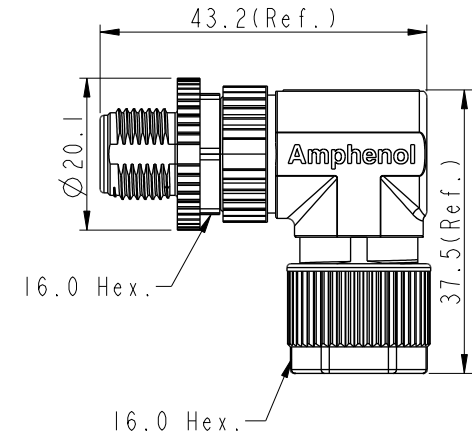
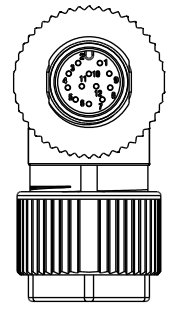
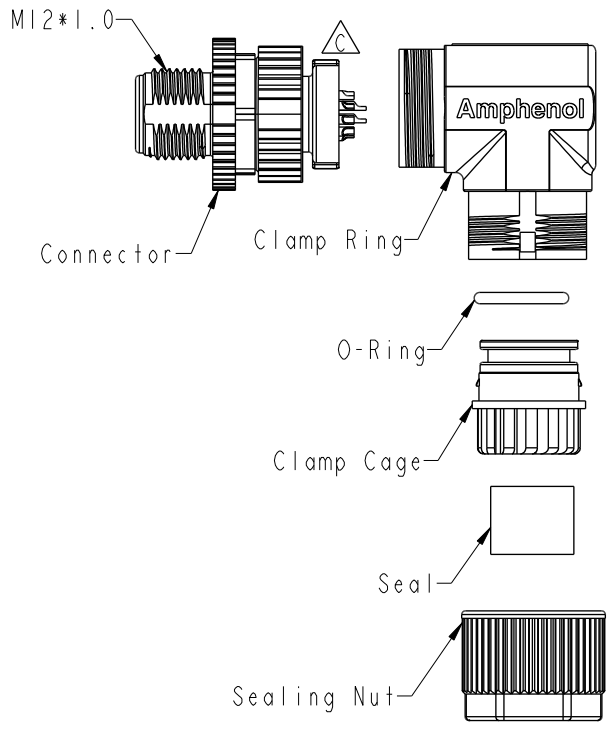


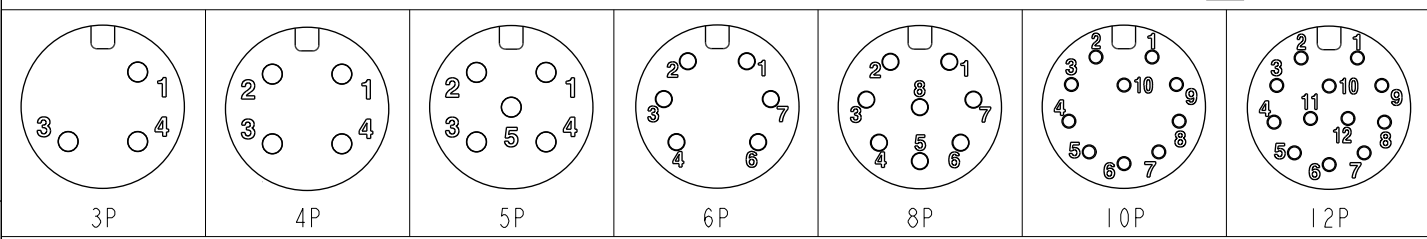
THIS DOCUMENT IS SUBJECT TO CHANGE WITHOUT NOTICE. IT IS CONFIDENTIAL AND A PROPERTY OF Amphenol LTW. DISCLOSURE TO THIRD PARTY HAS TO BE AUTHORIZED BY Amphenol LTW.

REV.	ECN NO.	DATE	SIGN	DESCRIPTION
D	C210076	2021/01/14	Vicky	△D X3
E	C210561	2021/04/15	Vicky	△E X3
F	C221877	2022/12/12	Ruru	△F XI

MSAS-XXBMM-A-SR7001
 XX: No. Of Pin



△E
 Note:
 * RoHS Compliant
 * Ⓞ Important Dimension
 △* Waterproof rate: IP67, mated
 * Connector
 Housing: Thermoplastic, Black
 Pin: Copper alloy, Gold plated
 Extension Nut: Metal
 △D Nut: Metal
 O-Ring: Rubber, Gray
 △D* Clamp Ring: Metal
 * O-Ring: Rubber, Gray
 * Clamp Cage: Thermoplastic, Black
 △D* Sealing Nut: Metal
 * Seal: Rubber, Gray, OD: $\varnothing 4.0\text{mm} \sim \varnothing 7.5\text{mm}$
 * One set unassembled in one pe bag



Pin Assignments Front View

UNIT: mm		
TOLERANCE		
.X	± 0.25	
.XX	± 0.1	
.XXX	± 0.05	
ANGLES	$\pm 1^\circ$	

TITLE N SEN, M12 A -SHLD, SCREW CABLE W/O SR, M, M, FI SOLDER △E		
SCALE 1:1	SIZE A4	SHEET 1 OF 1
REV. F	WC-REV. .0	Ⓞ: Inspection item

Amphenol LTW
 安費諾亮泰企業股份有限公司

ITEM NO.	DRAWN BY Yulong_wang	DATE 2016-07-22
DWG NO. MSAS-XXBMM-A-SR7001	CHECKED BY Jinhai	DATE 2016-07-22
CUSTOMER ALTW	APPROVED BY Jerry	DATE 2016-07-22