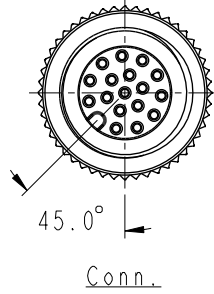
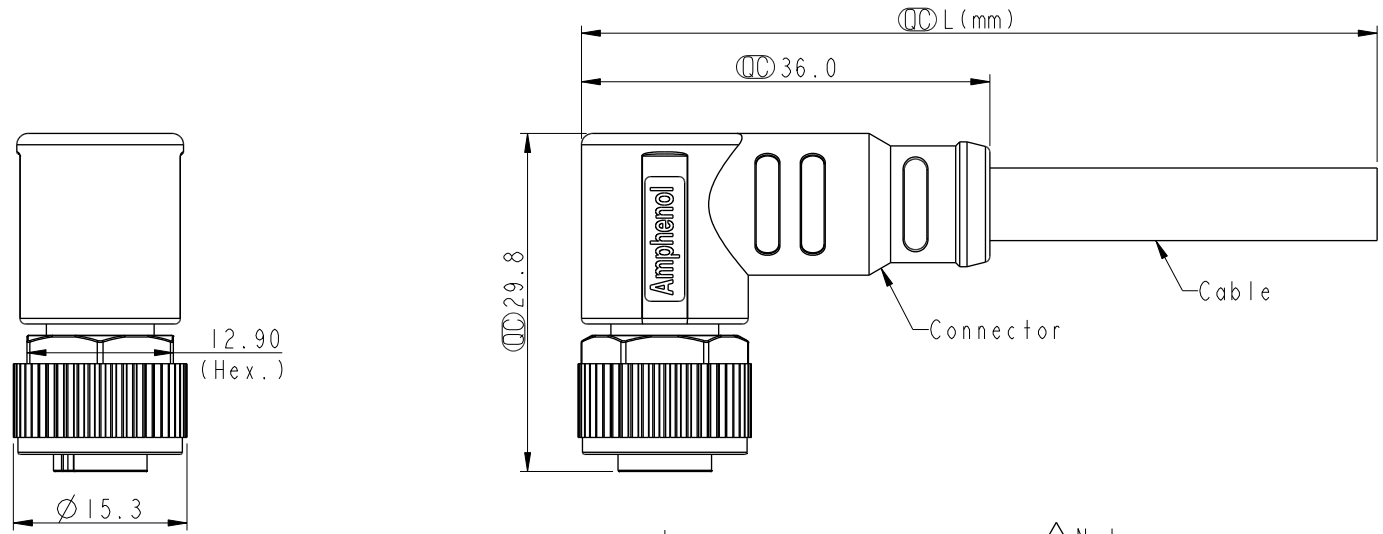

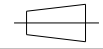


THIS DOCUMENT IS SUBJECT TO CHANGE WITHOUT NOTICE. IT IS CONFIDENTIAL AND A PROPERTY OF Amphenol LTW. DISCLOSURE TO THIRD PARTY HAS TO BE AUTHORIZED BY Amphenol LTW.

REV.	ECN NO.	DATE	SIGN	DESCRIPTION
B	C210429	2021/03/25	Vicky	$\triangle B$ X3
C	C230002	2023/01/03	Vicky	$\triangle C$ XI
D	C231356	2023/10/25	Vicky	$\triangle D$ XI




- $\triangle B$  Note:
- \* RoHS Compliant
  - \*  $\text{CC}$  Important dimension
  - $\triangle C$  \* Waterproof rate: IP68, mated 1m/24h  
IP69K, mated
  - \* Connector
    - Housing: Thermoplastic, Black
    - Pin: Copper alloy, Gold plated
    - O-Ring: Rubber, Gray
    - Nut: Metal
    - Shield: Metal
    - Outer mold: Thermoplastic, Black
  - $\triangle D$  \* Cable: UL2517, Shield, PVC Jacket, Black
  - \* Cable length tolerance: 1M: +50/-0 mm
    - 1M < L  $\leq$  3M: +100/-0 mm
    - 3M < L  $\leq$  5M: +150/-0 mm
    - 5M < L  $\leq$  10M:  $\pm$ 100 mm
    - 10M < L  $\leq$  20M:  $\pm$ 200 mm
    - 20M < L  $\leq$  30M:  $\pm$ 300 mm
    - 30M < L  $\leq$  99M:  $\pm$ 500 mm

UNIT: mm TOLERANCE $\pm 0.5$ mm	TITLE N SEN, M12 A -SHLD, SCREW CABLE W/O SR, F, F, MOLDING		
	SCALE 3:2	SIZE A4	SHEET 1 OF 2
	REV. D	WC-REV. A.5	$\text{CC}$ : Inspection item
	 		

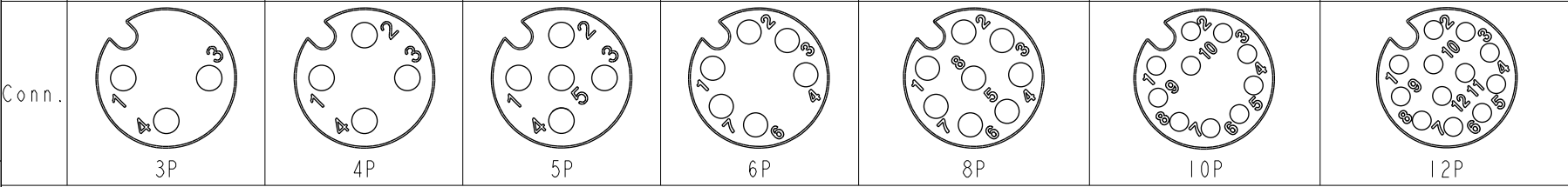
**Amphenol LTW**  
安費諾亮泰企業股份有限公司

ITEM NO.	DRAWN BY Brady Chung	DATE 2019/11/08
DWG NO. MSAS-XXBFFM-SR8DXX	CHECKED BY Jane Wang	DATE 2019/11/08
CUSTOMER ALTW	APPROVED BY Neo Tsai	DATE 2019/11/08

12P	6.4	26	MSAS-12BFFM-SR8DXX
8P	5.8	24	MSAS-08BFFM-SR8DXX
5P	5.7	22	MSAS-05BFFM-SR8DXX
Contacts	Cable OD	AWG	Item No.

 MSAS-XXBFFM-SR8DXX  
 XX: No. Of Pin  
 XX: 01~99Meters  
 01: 01Meter  
 02: 02Meters  
 .  
 99: 99Meters

Pin Out	Shield	Braid	Shield	Braid	Shield	Braid	Shield	Braid	Shield	Braid	Shield	Braid	
5	--		5	--	5	Gray	灰	5	--		5	Gray	灰
4	Black	黑	4	Black	4	Black	黑	4	Black	黑	4	Black	黑
3	Blue	藍	3	Blue	3	Blue	藍	3	Blue	藍	3	Blue	藍
2	--		2	White	2	White	白	2	White	白	2	White	白
1	Brown	棕	1	Brown	1	Brown	棕	1	Brown	棕	1	Brown	棕
Pin #	Wire		Pin #	Wire	Pin #	Wire		Pin #	Wire		Pin #	Wire	



Pin Assignments Front View

UNIT:mm  TOLERANCE ±0.5mm	TITLE N SEN, M12 A -SHLD, SCREW CABLE W/O SR, F, F, MOLDING			<h1>Amphenol LTW</h1> 安費諾亮泰企業股份有限公司	ITEM NO	DRAWN BY	DATE
	SCALE	SIZE	SHEET		DWG NO	CHECKED BY	DATE
	REV.	WC-REV.	QC: Inspection item		CUSTOMER	APPROVED BY	DATE