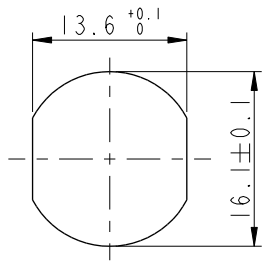


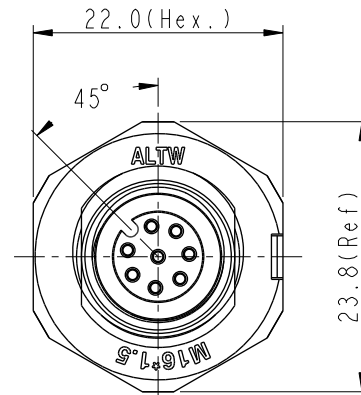
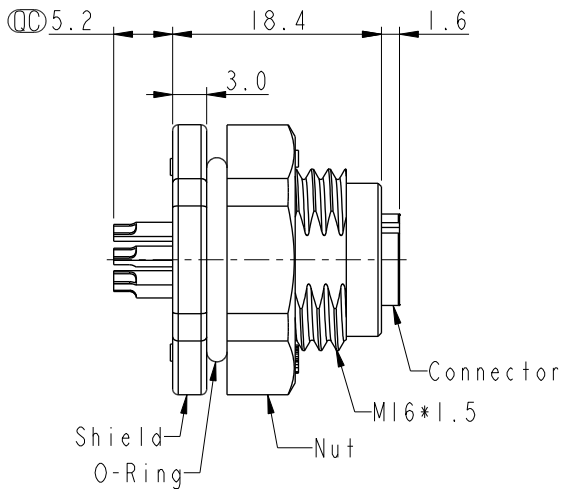
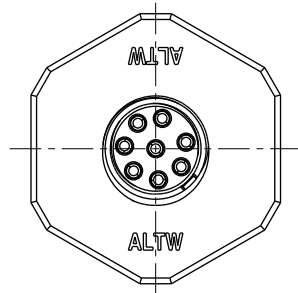
THIS DOCUMENT IS SUBJECT TO CHANGE WITHOUT NOTICE. IT IS CONFIDENTIAL AND A PROPERTY OF Amphenol LTW. DISCLOSURE TO THIRD PARTY HAS TO BE AUTHORIZED BY Amphenol LTW.

REV.	ECN NO.	DATE	SIGN	DESCRIPTION
D	C210309	2021/03/05	Ruru	X3
E	C230012	2023/01/05	Vicky	X1
F	C231037	2023/08/08	Vicky	X1

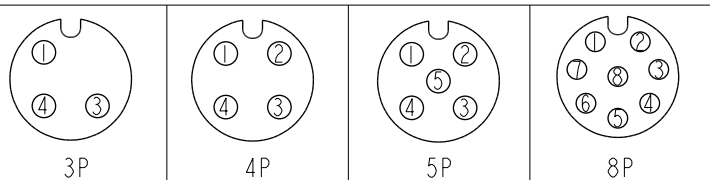


MSAP-XXPFFS-SF8002  
XX: No. Of Pin

Recommended Panel Cut-Out



- Note:
- \* RoHS Compliant
  - \* Important dimension
  - \* Waterproof rate: IP68, unmated 1m/24h  
 IP69K, mated
  - \* Connector
    - Housing: Thermoplastic, Black
    - Pin: Copper alloy, Gold plated
    - O-Ring: Rubber, Gray
  - \* Shield: Thermoplastic, Black
  - \* Nut: Thermoplastic, Black
  - \* O-Ring: Rubber, Gray
  - \* For panel thickness max: 4.9mm
  - \* Nut is packed separately in pe bag



Pin Assignment Front View

UNIT: mm			TITLE N SEN, M12 A -PLASTIC, SCREW RECEPTACLE, F, F, SOLDER
TOLERANCE .X ±0.25 .XX ±0.1 .XXX ±0.05 ANGLES ±1°	SCALE 3:2	SIZE A4	SHEET 1 OF 1
REV. F	WC-REV. .0	: Inspection item	

**Amphenol LTW**  
安費諾亮泰企業股份有限公司

ITEM NO.	DRAWN BY Lingpeng	DATE 2017-09-19
DWG NO. MSAP-XXPFFS-SF8002	CHECKED BY Mafei	DATE 2017-09-19
CUSTOMER ALTW	APPROVED BY Jerry	DATE 2017-09-19