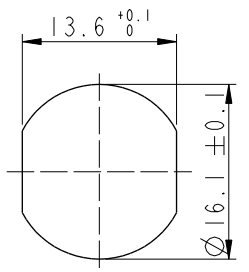


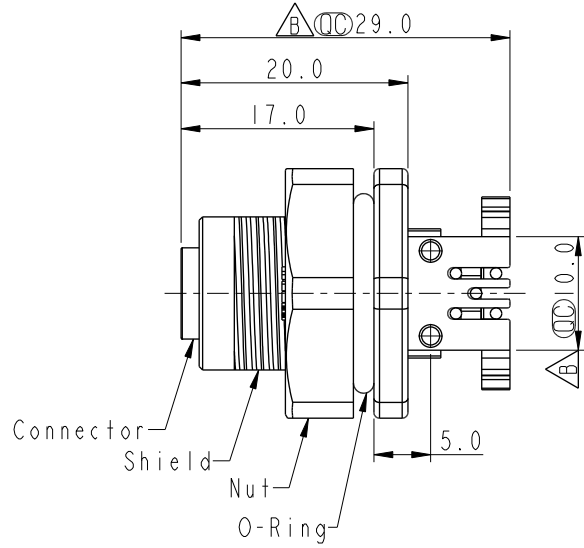
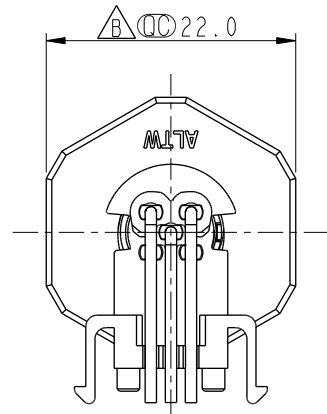
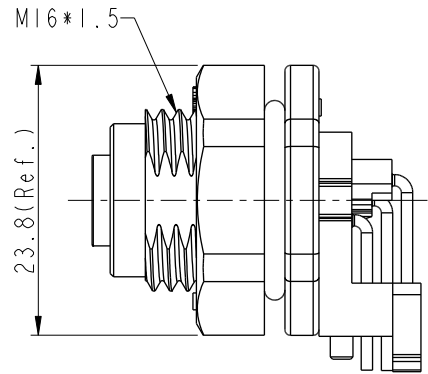
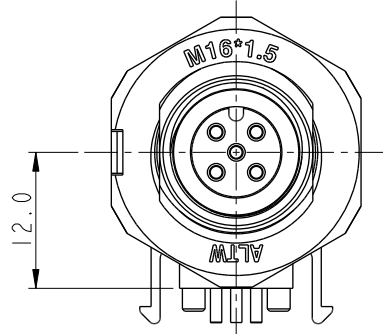
THIS DOCUMENT IS SUBJECT TO CHANGE WITHOUT NOTICE. IT IS CONFIDENTIAL AND A PROPERTY OF Amphenol LTW. DISCLOSURE TO THIRD PARTY HAS TO BE AUTHORIZED BY Amphenol LTW.

REV.	ECN NO.	DATE	SIGN	DESCRIPTION
B	C210309	2021/03/05	Ruru	X7
C	C230012	2023/01/05	Vicky	X1
D	C231037	2023/08/08	Vicky	X1

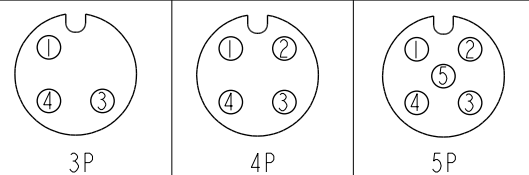


Recommended Panel Cut-Out

MSAP-XXPFFR-SF8002
XX: No. Of Pin



- Note:
- * RoHS Compliant
 - * Important dimension
 - * Waterproof rate: IP68, unmated 1m/24h
 IP69K, mated
 - * Connector
 - Housing: Thermoplastic, Black
 - Pin: Copper alloy, Gold plated
 - O-Ring: Rubber, Gray
 - * Shield: Thermoplastic, Black
 - * Nut: Thermoplastic, Black
 - * O-Ring: Rubber, Black
 - * For panel thickness max: 4.0mm
 - * For pcb thickness max: 1.6mm
 - * Nut is packed separately in pe bag



Pin Assignment Front View

UNIT:mm	
TOLERANCE	
.X	±0.25
.XX	±0.1
.XXX	±0.05
ANGLES	±1°

TITLE N SEN, M12 A -PLASTIC, SCREW RECEPTACLE, F, F, PCB R			
SCALE 3:2	SIZE A4	SHEET 1 OF 2	
REV. D	WC-REV. A.2	: Inspection item	

Amphenol LTW
安費諾亮泰企業股份有限公司

ITEM NO	DRAWN BY Yulong_wang	DATE 2016-12-03
DWG NO MSAP-XXPFFR-SF8002	CHECKED BY Jinhai	DATE 2016-12-03
CUSTOMER ALTW	APPROVED BY Jerry	DATE 2016-12-03

THIS DOCUMENT IS SUBJECT TO CHANGE WITHOUT NOTICE. IT IS CONFIDENTIAL AND A PROPERTY OF Amphenol LTW. DISCLOSURE TO THIRD PARTY HAS TO BE AUTHORIZED BY Amphenol LTW.

1 2 3 4 5 6 7 8

F

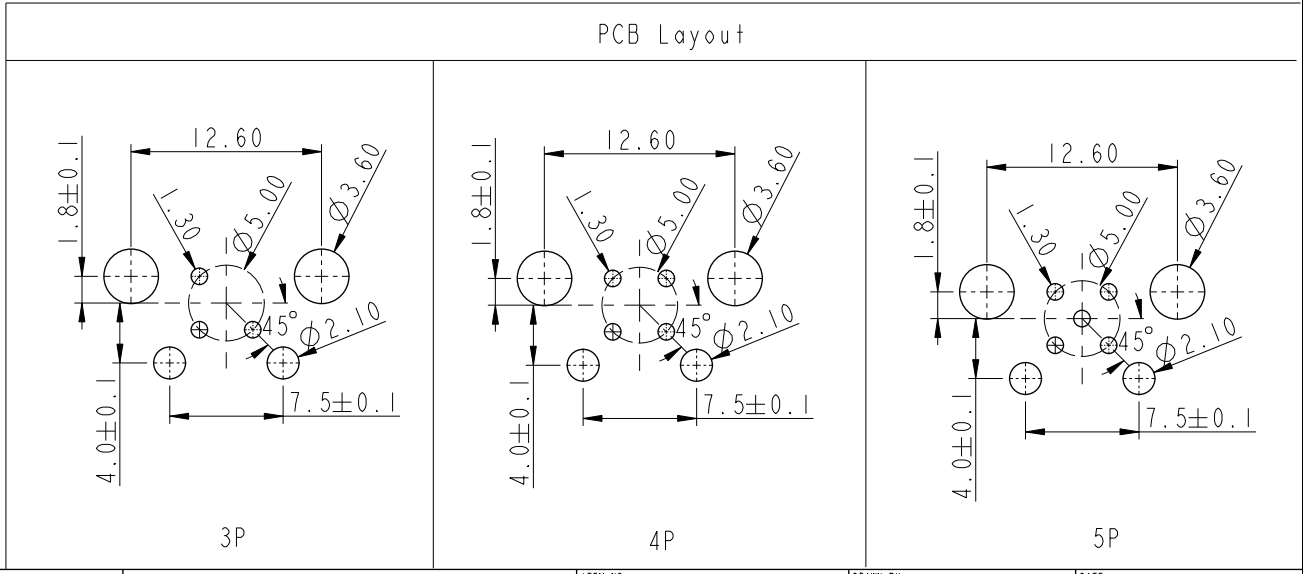
E

D

C

B

A



UNIT: mm			
TOLERANCE			
.X	±0.25		
.XX	±0.1		
.XXX	±0.05		
ANGLES	±1°		

TITLE N SEN, M12 A -PLASTIC, SCREW RECEPTACLE, F, F, PCB R			
SCALE	SIZE	SHEET 2 OF 2	
REV. D	WC-REV. A.2	☉: Inspection item	

Amphenol LTW
安費諾亮泰企業股份有限公司

ITEM NO	
DWG NO	MSAP-XXPFFR-SF8002
CUSTOMER	ALTW

DRAWN BY	Yulong_wang
CHECKED BY	Jinhai
APPROVED BY	Jerry

DATE	2016-12-03
DATE	2016-12-03
DATE	2016-12-03