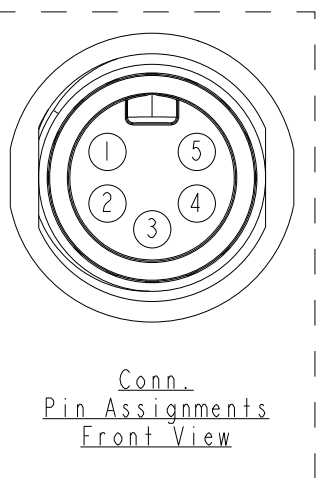
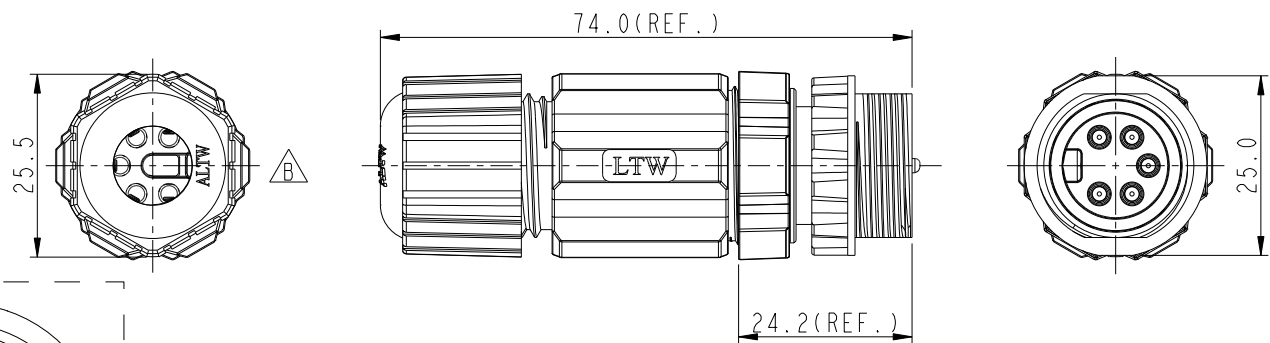
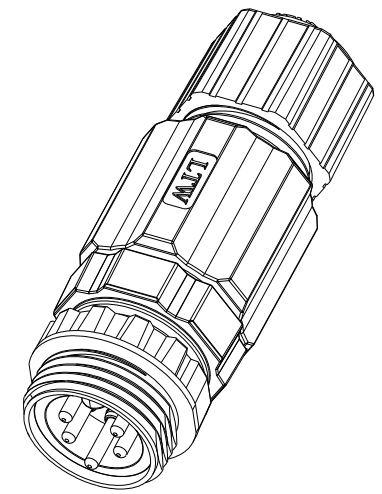
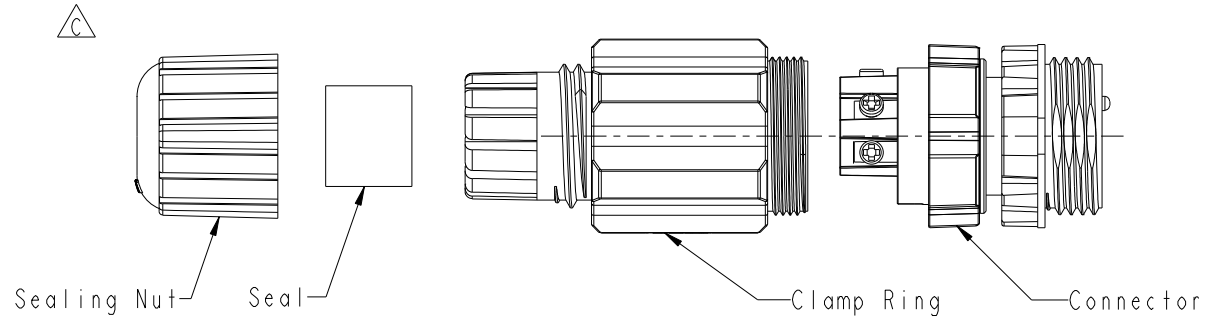


REV.	ECN NO.	DATE	SIGN	DESCRIPTION
B	LEN1741287	2017/04/14	Vicky	Update Logo
C	C230526	2023/04/24	Henry	Update View & Note



- Note:
- * RoHS Compliant
 - * \varnothing Important Dimension
 - * Waterproof Rate: IP67
 - * Connector:
 - Housing: Thermoplastic, Black
 - Pin: Copper Alloy, Gold Plated
 - Nut: Metal, Nickel Plated
 - O-Ring 1: Rubber, Black
 - O-Ring 2: Rubber, Black
 - Holder: Thermoplastic, Black
 - * Clamp Ring: Thermoplastic, Black
 - * Sealing Nut: Thermoplastic, Black
 - * Seal: Rubber, Black, OD \varnothing 8mm~ \varnothing 11.0mm
 - * 使用温度: -20 C~70 C
 - * Text Depth: 0.3mm
 - * One set unassembled in one PE bag

UNIT:mm		TITLE		Amphenol LTW	ITEM NO.	DRAWN BY	DATE
		Mini-C MALE SCREW-IN ASSEMBLE			MN-05BMMB-SL7001	Vicky	2017-04-14
TOLERANCE		SCALE	SIZE	安費諾亮泰企業股份有限公司	DWG NO.	CHECKED BY	DATE
.X ±0.25		19:20	A4		MN-05BMMB-SL7001	Rita	2017-04-14
.XX ±0.1		REV.	WC-REV.	Inspection item	CUSTOMER	APPROVED BY	DATE
.XXX ±0.05		C	A.2		ALTW	Max	2017-04-14
ANGLES ±1°							

THIS DOCUMENT IS SUBJECT TO CHANGE WITHOUT NOTICE. IT IS CONFIDENTIAL AND A PROPERTY OF AMPHENOL LTW. DISCLOSURE TO THIRD PARTY HAS TO BE AUTHORIZED BY AMPHENOL LTW.