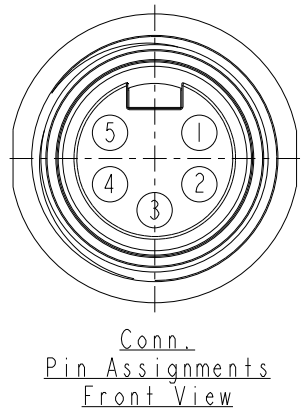
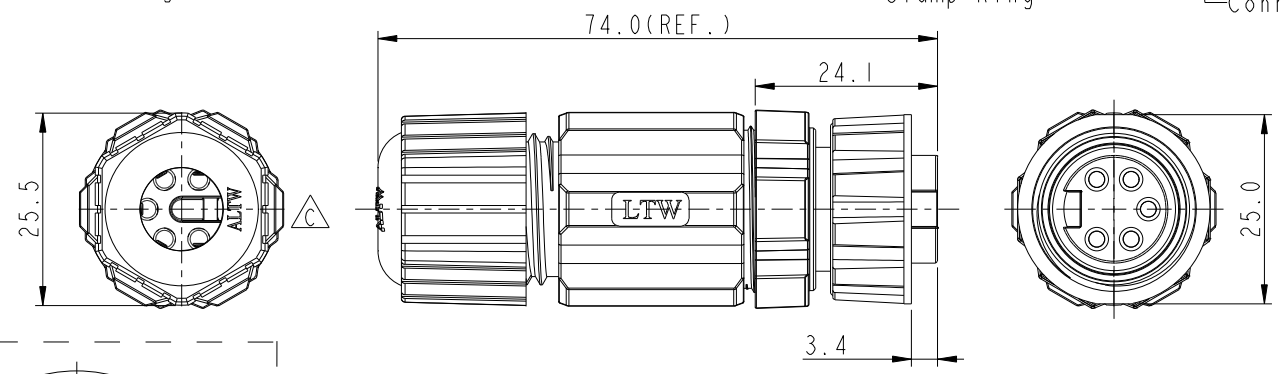
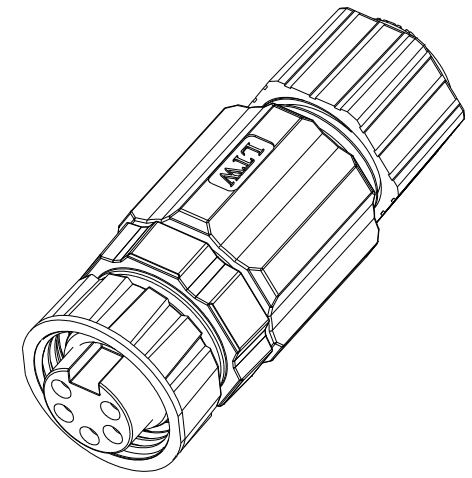
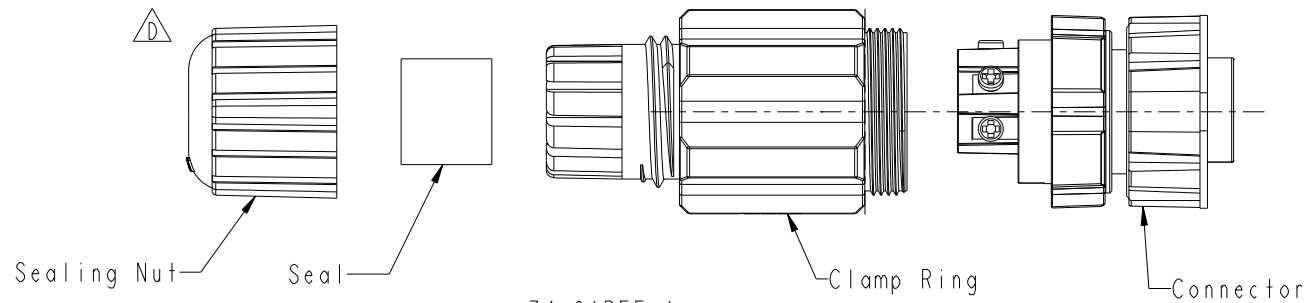


REV.	ECN NO.	DATE	SIGN	DESCRIPTION
B	LE3-940044	2009/04/01	Doreen	Modify Note
C	LEN1741286	2017/04/14	Vicky	Update Logo
D	C230526	2023/04/24	Henry	Update View & Note



- Note:
- * RoHS Compliant
 - * $\text{\textcircled{C}}$ Important Dimension
 - * Waterproof Rate: IP67
 - * Connector:
 - Housing: Thermoplastic, Black
 - Pin: Copper Alloy, Gold Plated
 - Nut: Metal, Nickel Plated
 - O-Ring 1: Rubber, Black
 - O-Ring 2: Rubber, Green
 - Holder: Thermoplastic, Black
 - * Clamp Ring: Thermoplastic, Black
 - * Sealing Nut: Thermoplastic, Black
 - * Seal: Rubber, Black, OD: $\varnothing 8\text{mm} \sim \varnothing 11.0\text{mm}$
 - * 使用温度: $-20^{\circ}\text{C} \sim 70^{\circ}\text{C}$
 - * Text Depth: 0.3mm
 - * One set unassembled in one PE bag

UNIT: mm		
TOLERANCE		
.X	± 0.25	
.XX	± 0.1	
.XXX	± 0.05	
ANGLES	$\pm 1^{\circ}$	

TITLE Mini-C FEMALE SCREW-IN ASSEMBLE			
SCALE 1:1	SIZE A4	SHEET 1 OF 1	
REV. D	WC-REV. A.2	$\text{\textcircled{C}}$: Inspection item	

Amphenol LTW
安費諾亮泰企業股份有限公司

ITEM NO. MN-05BFFB-SL7001	DRAWN BY Vicky	DATE 2017-04-14
DWG NO. MN-05BFFB-SL7001	CHECKED BY Rita	DATE 2017-04-14
CUSTOMER ALTW	APPROVED BY Max	DATE 2017-04-14

THIS DOCUMENT IS SUBJECT TO CHANGE WITHOUT NOTICE. IT IS CONFIDENTIAL AND A PROPERTY OF Amphenol LTW. DISCLOSURE TO THIRD PARTY HAS TO BE AUTHORIZED BY Amphenol LTW.