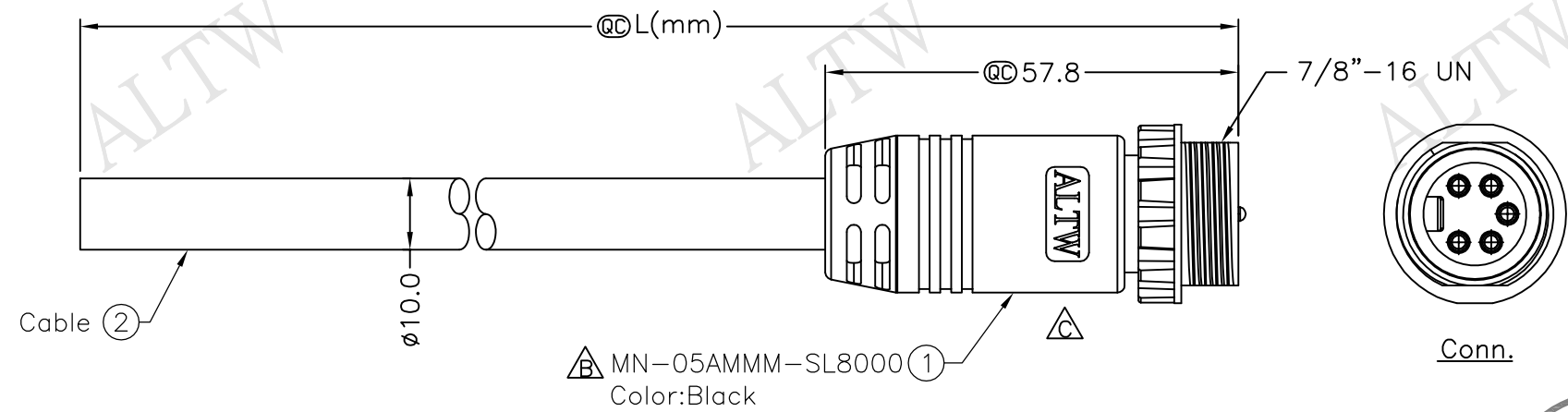


REV.	ECN NO.	DATE	SIGN	DESCRIPTION
B	LEN1160182~185	2011/06/22	Vicky	REF. TO ECR/N.NOTE.
C	LEN1670630~633	2016/07/18	Vicky	Update Logo

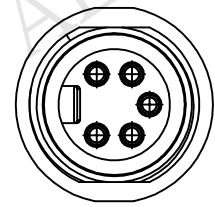


△ MN-05AMMM-SL8000  
Color:Black

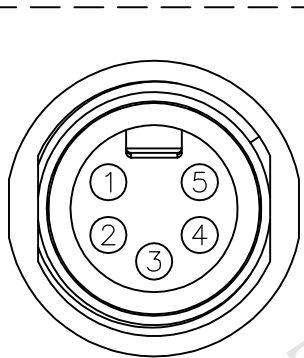
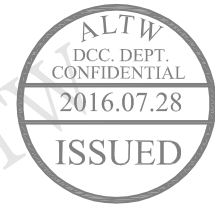
△ MN-05AMMM-SL8CXX

XX:01~99Meters  
01:01Meter  
02:02Meters  
:  
:  
99:99Meters

Cable Length(L):01~99Meters



Conn.



Pin Assignments  
Front View

Blue (18AWG)	藍	5
White (18AWG)	白	4
Black (16AWG)	黑	3
Red (16AWG)	紅	2
Drain	地線	1
Wire Color		Conn.
Pin Out		

Note:

- \* @C Important Dimension
- △ \* Waterproof Rate: IP68  
IP68: 1M Depth Of Water In 24hours
- \* Connector: PU, Black
- \* Male Pin: Copper Alloy, Gold Plated
- \* Nut: Zinc Alloy, Nickel Plated
- \* Cable:UL20276[(18#\*1P+Al)+(16#\*1P+Al)]+D+Al+B, PVC Jacket,UV Resistant,Black,OD= 10.0mm.
- △ \* Cable Length Tolerance: 01M:±40mm  
02M~05M:±60mm  
06M~10M:±100mm  
11M~30M:±200mm  
31M~99M:±500mm

UNIT:mm		TITLE	NMEA Mini M Conn M Pin For Cable		ITEM NO	DRAWN BY	DATE
TOLERANCE	±0.5 mm	SCALE	Free	SHEET 1 OF 1	DWG NO	CHECKED BY	DATE
REV.	C	SIZE	A4	@C :Inspection Item	CUSTOMER	APPROVED BY	DATE
1	2	3	4	5	6	7	8

**Amphenol LTW**  
安費諾亮泰企業股份有限公司

THIS DOCUMENT IS SUBJECT TO CHANGE WITHOUT NOTICE. IT IS CONFIDENTIAL AND A PROPERTY OF AMPHENOL LTW. DISCLOSURE TO THIRD PARTY HAS TO BE AUTHORIZED BY AMPHENOL LTW.