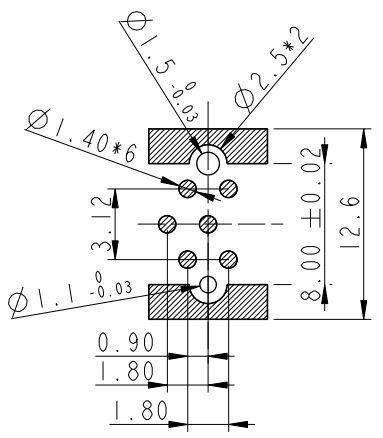
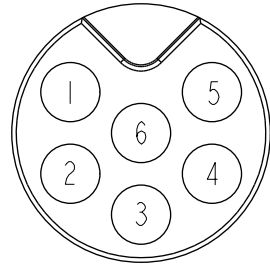
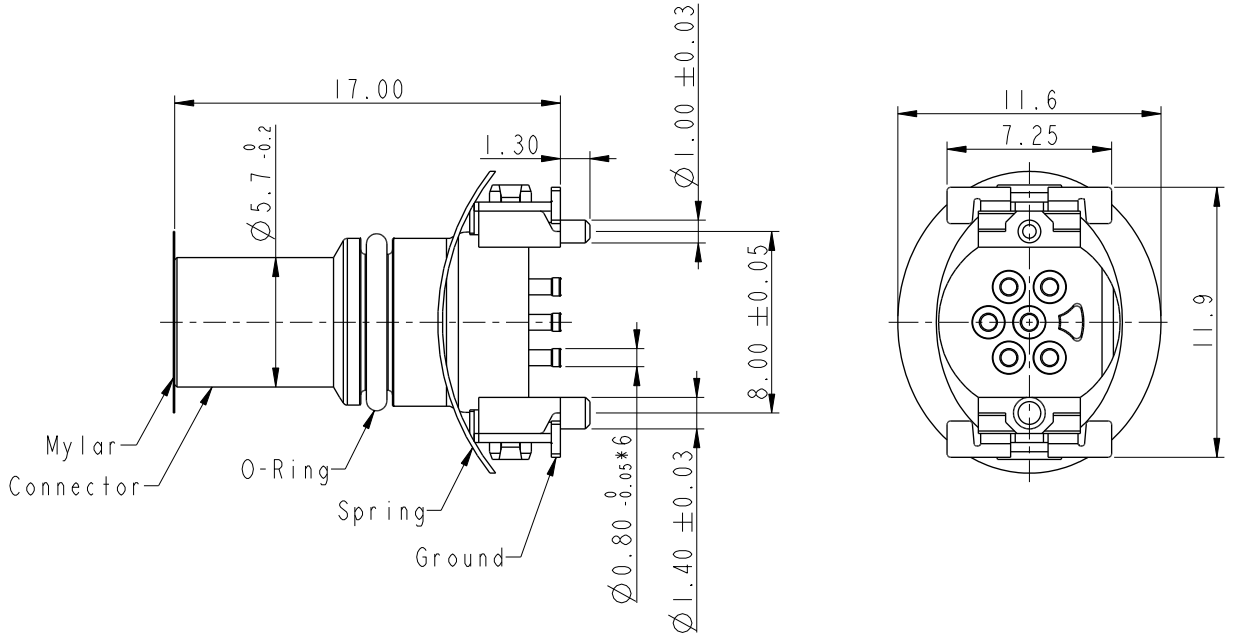
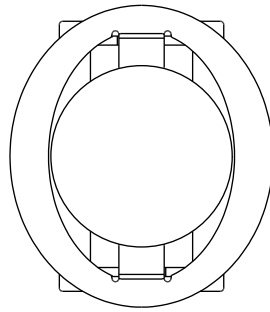


THIS DOCUMENT IS SUBJECT TO CHANGE WITHOUT NOTICE. IT IS CONFIDENTIAL AND A PROPERTY OF AMPHENOL LTW. DISCLOSURE TO THIRD PARTY HAS TO BE AUTHORIZED BY AMPHENOL LTW.

REV.	ECN NO.	DATE	SIGN	DESCRIPTION
A		2020/07/16	Allen Pan	Rev.01 To Rev.A
B	C210686	2021/05/11	Vicky	$\triangle B$ X5

M8AS-XXPFFT-EE0001

$\triangle B$  XX: No. Of Pin



- $\triangle B$  Note:
- \* RoHS Compliant
  - \*  $\text{\textcircled{C}}$  Important dimension
  - \* Waterproof rate: Non-Waterproof
  - \* Connector
  - Housing: Thermoplastic, Black
  - Pin: Copper alloy, Gold plated
  - O-Ring: Rubber, Gray
  - \* Spring: Metal
  - \* Ground: Metal
  - \* Mylar: PI, Amber

Pin Assignments Front View

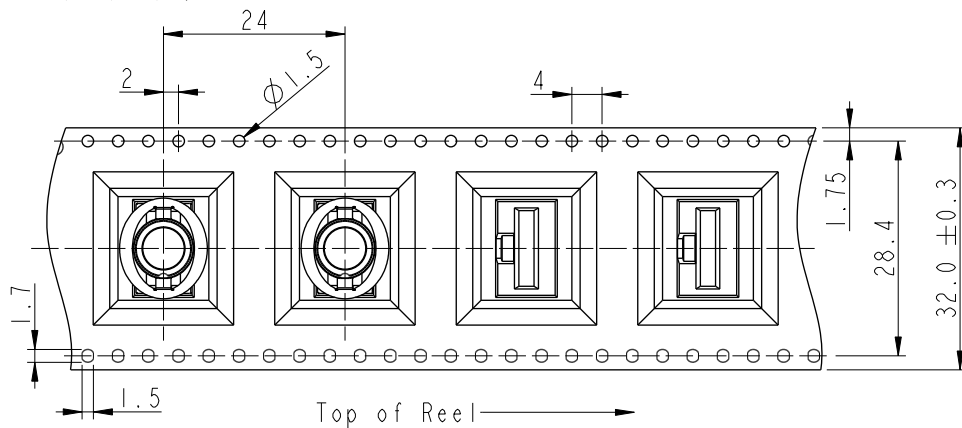
PCB Layout

UNIT:mm		TITLE	N SEN, M8W/KEY-SHLD, NONE RECEPTACLE, F, F, PCB SMT		$\triangle B$
TOLERANCE		SCALE	3:1	SIZE	A4
.X	±0.25	REV.	B	WC-REV.	A.1
.XX	±0.1	SHEET 1 OF 3		$\text{\textcircled{C}}$ : Inspection item	
.XXX	±0.05				
ANGLES	±1°				

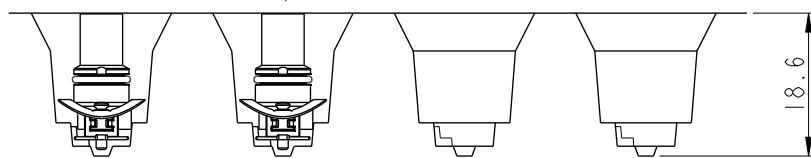
**Amphenol LTW**  
安費諾亮泰企業股份有限公司

ITEM NO	DRWN BY	DATE
	Allen Pan	2020-07-16
DWG NO	CHEKED BY	DATE
M8AS-XXPFFT-EE0001	Sam Ho	2020-07-16
CUSTOMER	APPROVED BY	DATE
ALTW	Fred Lee	2020-07-16

Tape & Reel Information:

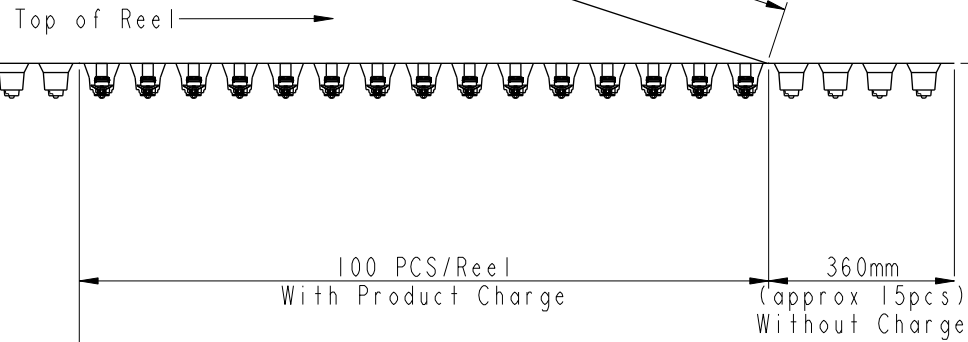
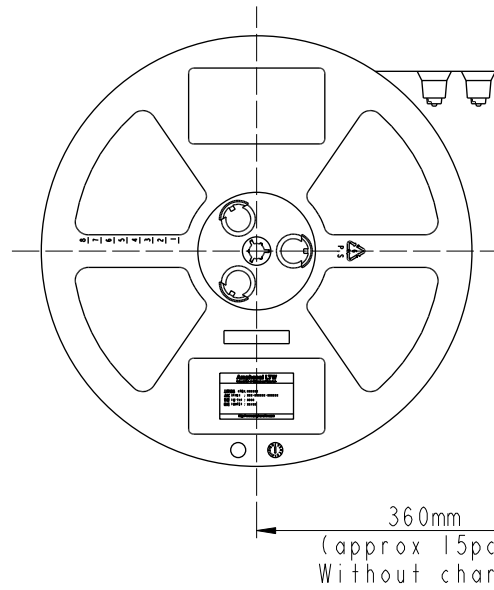
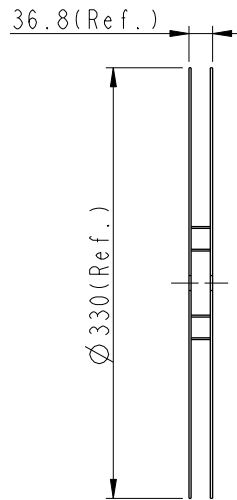


Note:  
 \* Connector Orientation Follow Drawing



Wide Cover Tape Around  
 Out Periphery 1 Turn

Peeling Strength 0.1~1.3N Max.  
 (300±10mm/min)  
 Peeling Angle  
 165~180°



UNIT: mm		
TOLERANCE	.X ±0.25	
	.XX ±0.1	
	.XXX ±0.05	
ANGLES	±1°	

TITLE N SEN, M8W/KEY-SHLD, NONE RECEPTACLE, F, F, PCB SMT			
SCALE Free	SIZE A4	SHEET 2 OF 3	
REV. B	WC-REV. A.1	Inspection item	

**Amphenol LTW**  
 安費諾亮泰企業股份有限公司

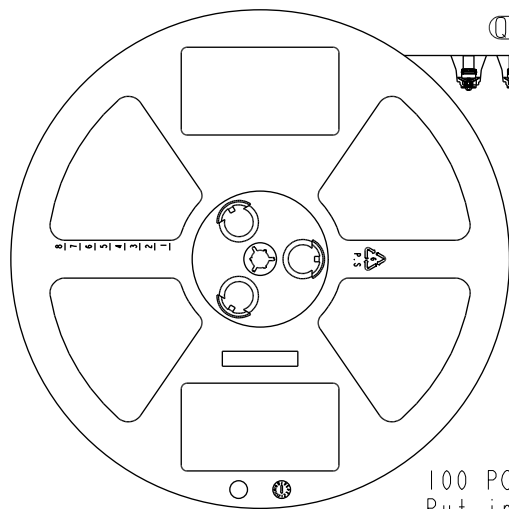
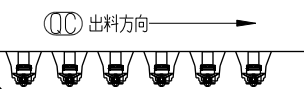
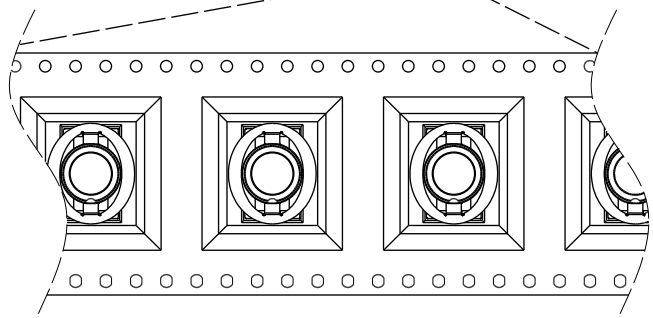
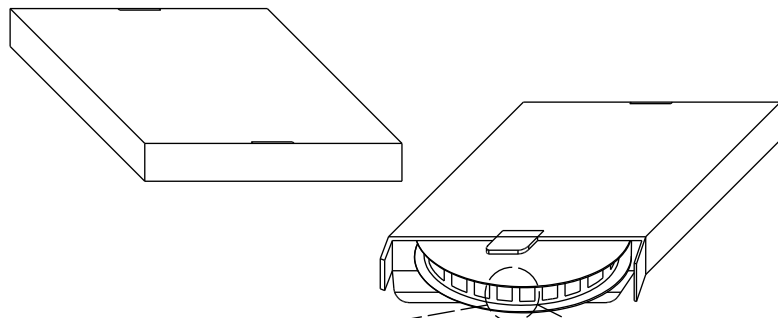
ITEM NO	DWG NO	CUSTOMER
	M8AS-XXPFFT-EE0001	ALTW

DRAWN BY Allen Pan	CHECKED BY Sam Ho	APPROVED BY Fred Lee
-----------------------	----------------------	-------------------------

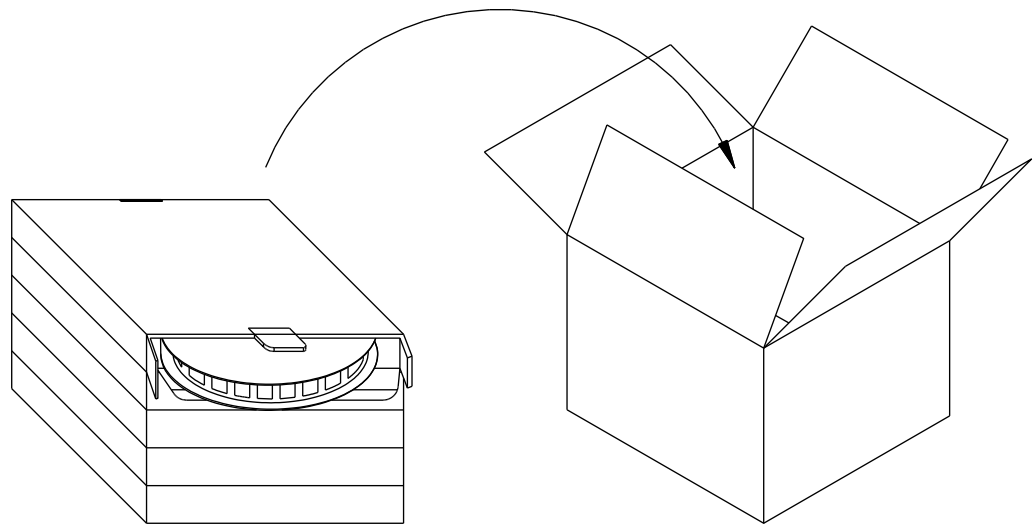
DATE 2020-07-16	DATE 2020-07-16	DATE 2020-07-16
--------------------	--------------------	--------------------

THIS DOCUMENT IS SUBJECT TO CHANGE WITHOUT NOTICE. IT IS CONFIDENTIAL AND A PROPERTY OF Amphenol LTW. DISCLOSURE TO THIRD PARTY HAS TO BE AUTHORIZED BY Amphenol LTW.

Package:



100 PCS(Connector)/Tape&Reel,  
Put in a Box



One Carton can put in the 5PCS(Max.) Box  
(500 PCS/Carton)

UNIT:mm		
TOLERANCE	.X ±0.25	
.XX ±0.1		
.XXX ±0.05		
ANGLES	±1°	

TITLE N SEN, M8W/KEY-SHLD, NONE RECEPTACLE, F, F, PCB SMT			
SCALE Free	SIZE A4	SHEET 3 OF 3	
REV. B	WC-REV. A.1	◎◎: Inspection item	

**Amphenol LTW**  
安費諾亮泰企業股份有限公司

ITEM NO	DWG NO M8AS-XXPFFT-EE0001
CUSTOMER ALTW	

DRAWN BY Allen Pan	CHECKED BY Sam Ho
APPROVED BY Fred Lee	

DATE 2020-07-16	DATE 2020-07-16
DATE 2020-07-16	