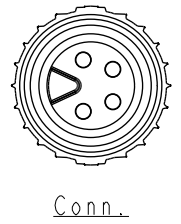
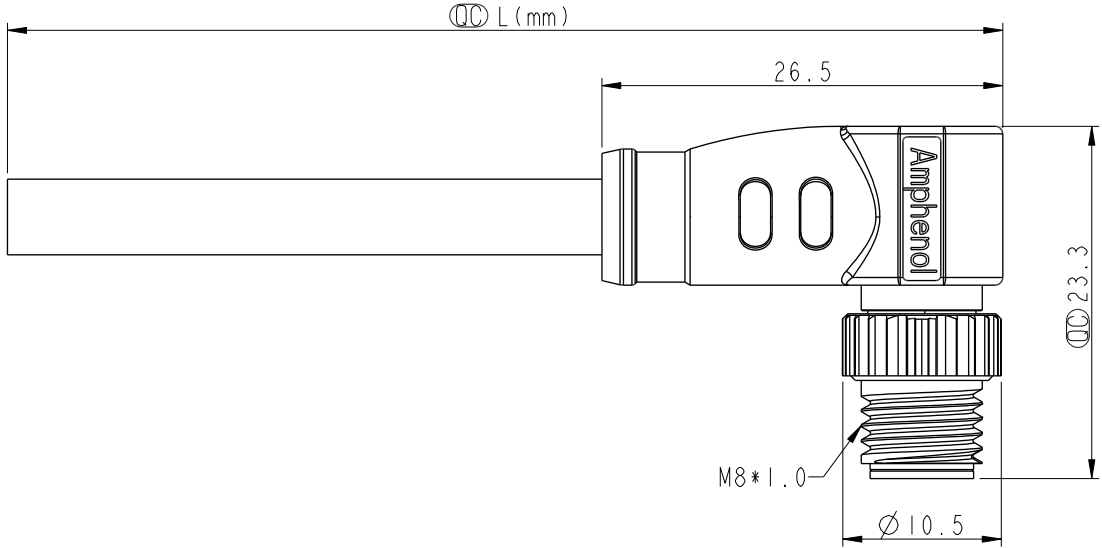


THIS DOCUMENT IS SUBJECT TO CHANGE WITHOUT NOTICE. IT IS CONFIDENTIAL AND A PROPERTY OF Amphenol LTW. DISCLOSURE TO THIRD PARTY HAS TO BE AUTHORIZED BY Amphenol LTW.

REV.	ECN NO.	DATE	SIGN	DESCRIPTION
B	C210007	2020/12/29	Ruru	$\triangle B$ X2
C	C210637	2021/05/05	Vicky	$\triangle C$ XI
D	C221882	2022/12/19	Vicky	$\triangle D$ XI



- $\triangle C$  Note:
- \* RoHS Compliant
  - \*  $\text{⌀}$  Important dimension
  - $\triangle D$  \* Waterproof rate: IP67, mated
  - \* Connector
  - Housing: Thermoplastic, Black
  - Pin: Copper alloy, Gold plated
  - $\triangle A$  Nut: Metal
  - Shield: Metal
  - Outer mold: Thermoplastic, Black
  - \* Cable: UL2517, PVC Jacket, Black
  - \* Cable length tolerance: 1M: +50/-0 mm
  - 3M < L ≤ 5M: +100/-0 mm
  - 5M < L ≤ 10M: ±100 mm
  - 10M < L ≤ 20M: ±200 mm
  - 20M < L ≤ 30M: ±300 mm
  - 30M < L ≤ 99M: ±500 mm

UNIT:mm		
TOLERANCE		
±0.5mm		

TITLE N SEN, M8W/KEY-SHLD, SCREW CABLE W/O SR, M, M, MOLDING		
SCALE 2:1	SIZE A4	SHEET 1 OF 2
REV. D	WC-REV. A.5	$\text{⌀}$ : Inspection item

**Amphenol LTW**  
安費諾亮泰企業股份有限公司

ITEM NO.	DRAWN BY Vicky	DATE 2020-04-29
DWG NO. M8AS-XXBMMM-SR7DXX	CHECKED BY Rita	DATE 2020-04-29
CUSTOMER ALTW	APPROVED BY Max	DATE 2020-04-29

