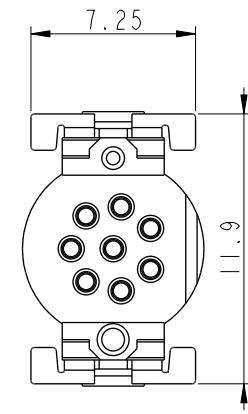
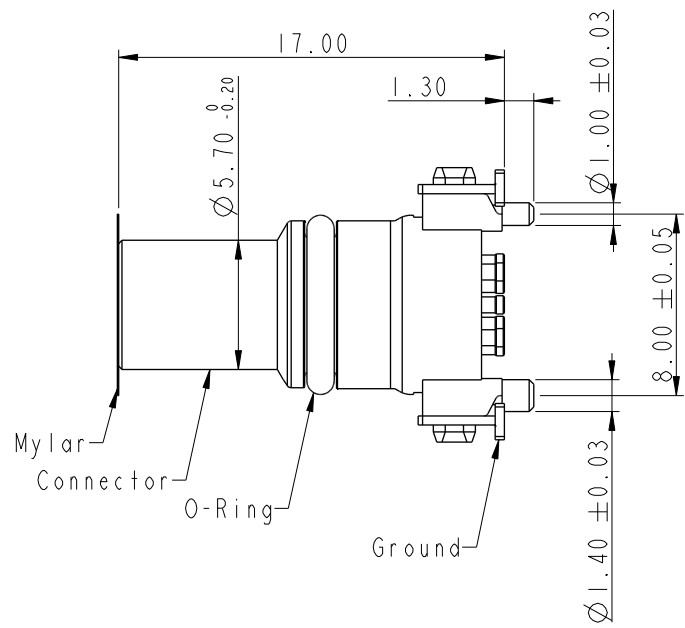


REV.	ECN NO.	DATE	SIGN	DESCRIPTION
C	C210005	2021/01/07	Roy	\triangle_C X2
D	C210686	2021/05/19	Vicky	\triangle_D X5
E	C211353	2021/08/30	Vicky	\triangle_E X1



$\triangle_D \triangle_E$ Note:
 * RoHS Compliant
 * Ⓞ Important dimension
 * Waterproof rate: Non-Waterproof
 * Connector
 Housing: Thermoplastic, Black
 Pin: Copper alloy, Gold plated
 O-Ring: Rubber, Gray
 * Ground: Metal
 * Mylar: PI, Amber

A	UNIT: mm	⊕	⌒	TITLE	N SEN, M8, NONE RECEPTACLE, F, F, PCB SMT			\triangle_D			
	TOLERANCE	.X	±0.25	SCALE	3:1	SIZE	A4	SHEET	1	OF	4
		.XX	±0.1	REV.	E	WC-REV.	A.1	Ⓞ	Inspection item		
		.XXX	±0.05	ANGLES	±1°						

Amphenol LTW
 安費諾亮泰企業股份有限公司

ITEM NO	DWG NO	CUSTOMER	DRAWN BY	CHECKED BY	APPROVED BY	DATE
	\triangle_B M8-XXPFFT-EE0001	ALTW	Feng_Li	Jerry	Max	2020-06-06

THIS DOCUMENT IS SUBJECT TO CHANGE WITHOUT NOTICE. IT IS CONFIDENTIAL AND A PROPERTY OF Amphenol LTW. DISCLOSURE TO THIRD PARTY HAS TO BE AUTHORIZED BY Amphenol LTW.

THIS DOCUMENT IS SUBJECT TO CHANGE WITHOUT NOTICE. IT IS CONFIDENTIAL AND A PROPERTY OF Amphenol LTW. DISCLOSURE TO THIRD PARTY HAS TO BE AUTHORIZED BY Amphenol LTW.

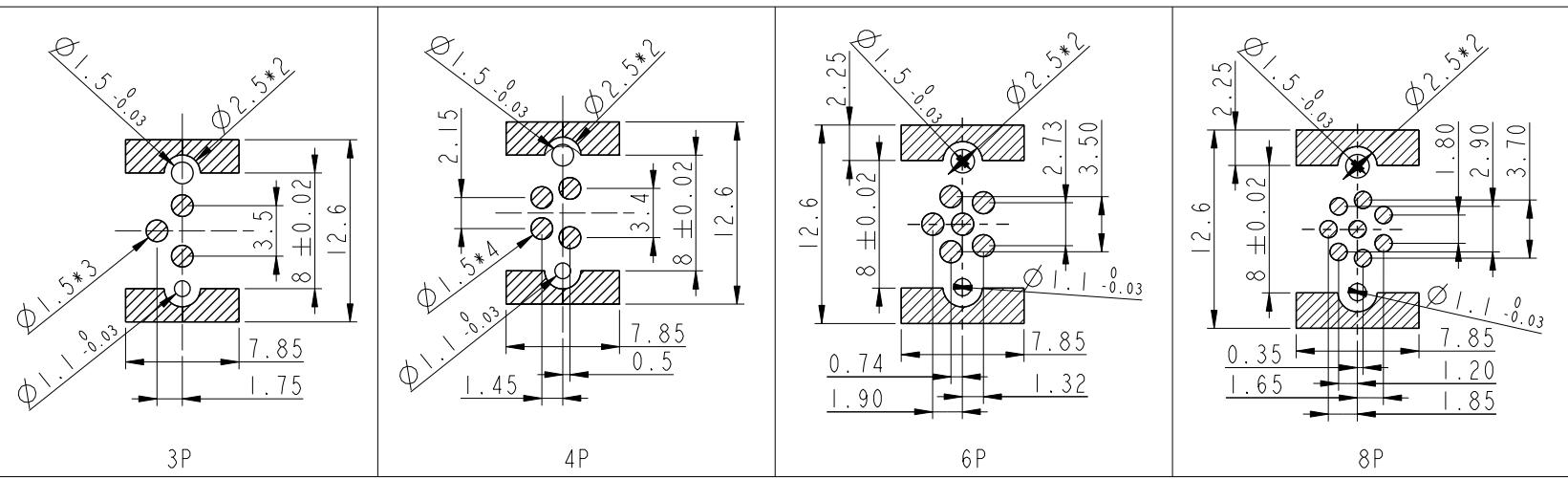
1 2 3 4 5 6 7 8

F
E
D
C
B
A

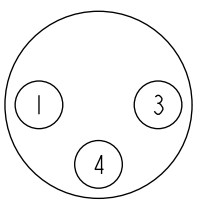


B M8-XXPFFT-EE0001

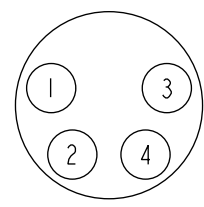
XX: No. Of Pin



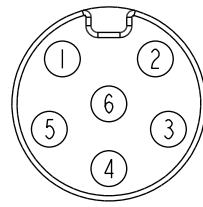
PCB Layout



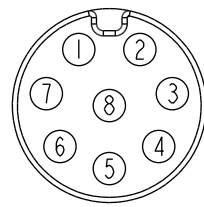
3P



4P



6P



8P

Pin Assignments Front View

UNIT: mm			
TOLERANCE			
.X	±0.25		
.XX	±0.1		
.XXX	±0.05		
ANGLES	±1°		

TITLE N SEN, M8, NONE RECEPTACLE, F, F, PCB SMT			
SCALE	SIZE	SHEET	OF
Free	A4	2	4
REV.	WC-REV.	QC: Inspection item	
E	A.1		

Amphenol LTW
安費諾亮泰企業股份有限公司

ITEM NO	DWG NO
	B M8-XXPFFT-EE0001
CUSTOMER	ALTW

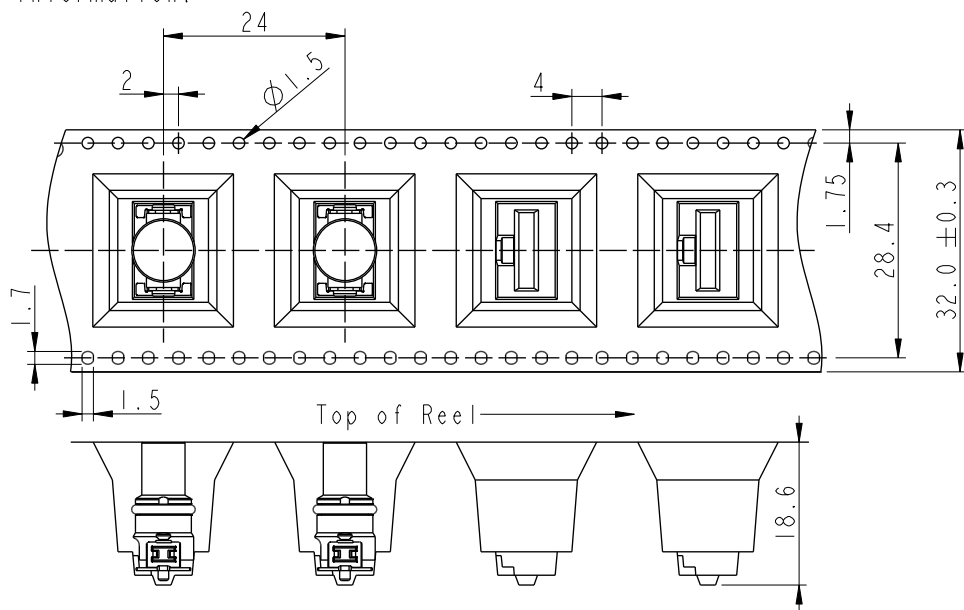
DRAWN BY	CHECKED BY
Feng_Li	Jerry
APPROVED BY	
Max	

DATE	DATE
2020-06-06	2020-06-06
DATE	DATE
2020-06-06	2020-06-06

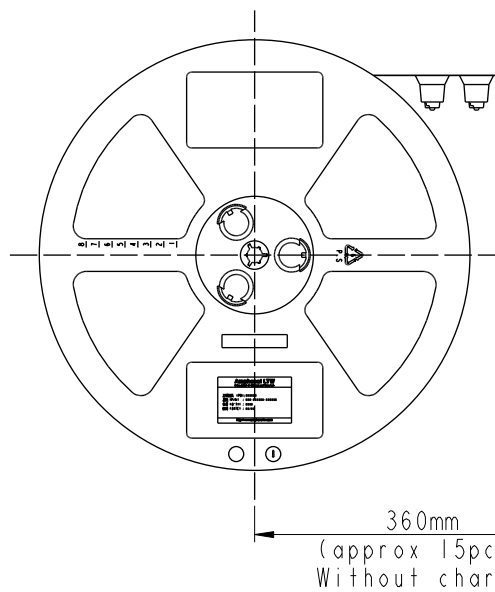
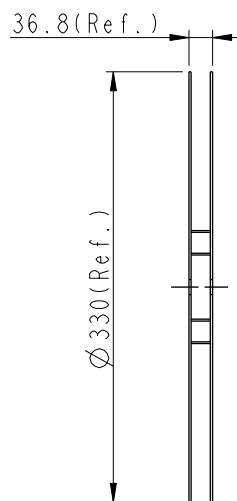
1 2 3 4 5 6 7 8 W10814-03-001A2

THIS DOCUMENT IS SUBJECT TO CHANGE WITHOUT NOTICE. IT IS CONFIDENTIAL AND A PROPERTY OF Amphenol LTW. DISCLOSURE TO THIRD PARTY HAS TO BE AUTHORIZED BY Amphenol LTW.

Tape & Reel Information:



Note:
 * Connector Orientation Follow Drawing



Wide Cover Tape Around
 Out Periphery 1 Turn

Peeling Strength 0.1~1.3N Max.
 (300±10mm/min)
 Peeling Angle
 165~180°

100 PCS/Reel
 With Product Charge

360mm
 (approx 15pcs)
 Without Charge

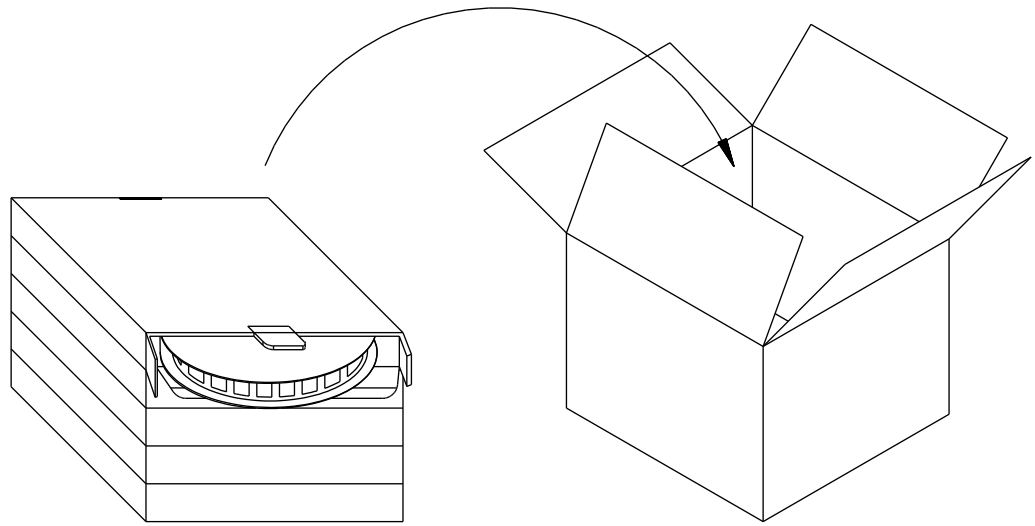
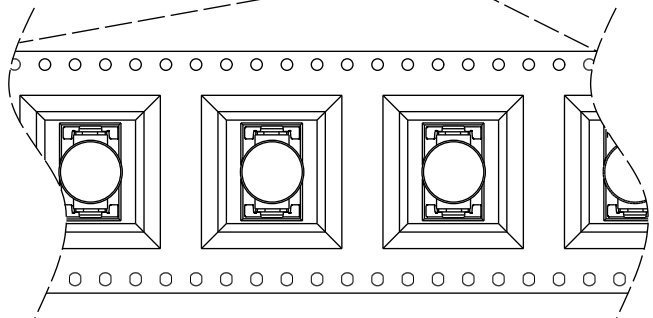
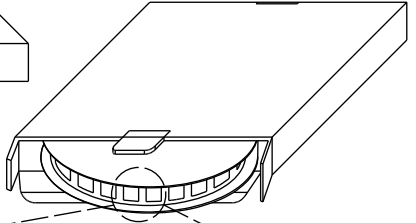
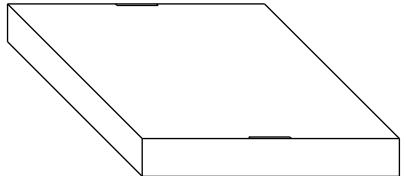
UNIT: mm	
TOLERANCE	
.X	±0.25
.XX	±0.1
.XXX	±0.05
ANGLES	±1°

TITLE N SEN, M8, NONE RECEPTACLE, F, F, PCB SMT			
SCALE Free	SIZE A4	SHEET 3 OF 4	
REV. E	WC-REV. A.1	Inspection item	

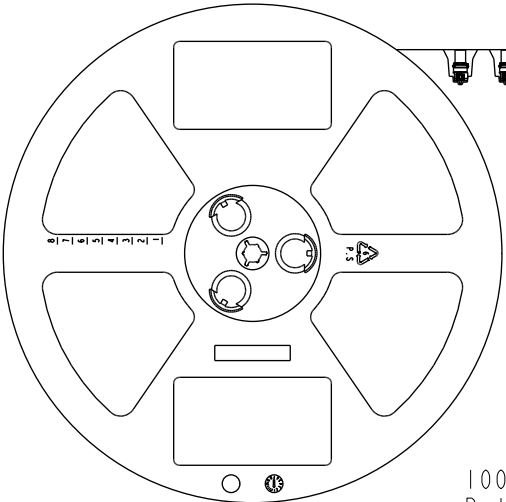
Amphenol LTW
 安費諾亮泰企業股份有限公司

ITEM NO	DRAWN BY Feng_Li	DATE 2020-06-06
DWG NO M8-XXPFFT-EE0001	CHECKED BY Jerry	DATE 2020-06-06
CUSTOMER ALTW	APPROVED BY Max	DATE 2020-06-06

THIS DOCUMENT IS SUBJECT TO CHANGE WITHOUT NOTICE. IT IS CONFIDENTIAL AND A PROPERTY OF Amphenol LTW. DISCLOSURE TO THIRD PARTY HAS TO BE AUTHORIZED BY Amphenol LTW.



One Carton can put in the 5PCS(Max.) Box
(500 PCS/Carton)



100 PCS(Connector)/Tape&Reel,
Put in a Box

UNIT:mm		
TOLERANCE	.X ±0.25	
	.XX ±0.1	
	.XXX ±0.05	
ANGLES	±1°	

TITLE N SEN, M8, NONE RECEPTACLE, F, F, PCB SMT			
SCALE Free	SIZE A4	SHEET 4 OF 4	
REV. E	WC-REV. A.1	QC: Inspection item	

Amphenol LTW
安費諾亮泰企業股份有限公司

ITEM NO	DWG NO
	M8-XXPFFT-EE0001
CUSTOMER	ALTW

DRAWN BY Feng_Li	CHECKED BY Jerry
APPROVED BY Max	

DATE 2020-06-06	DATE 2020-06-06
DATE 2020-06-06	