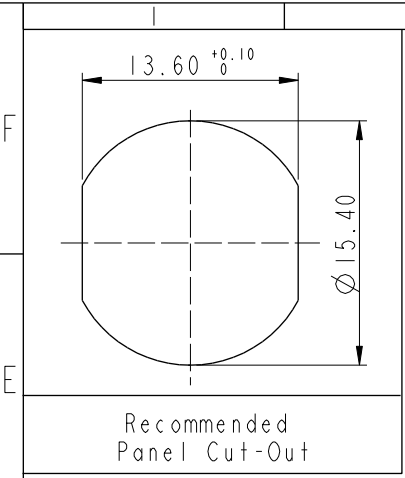
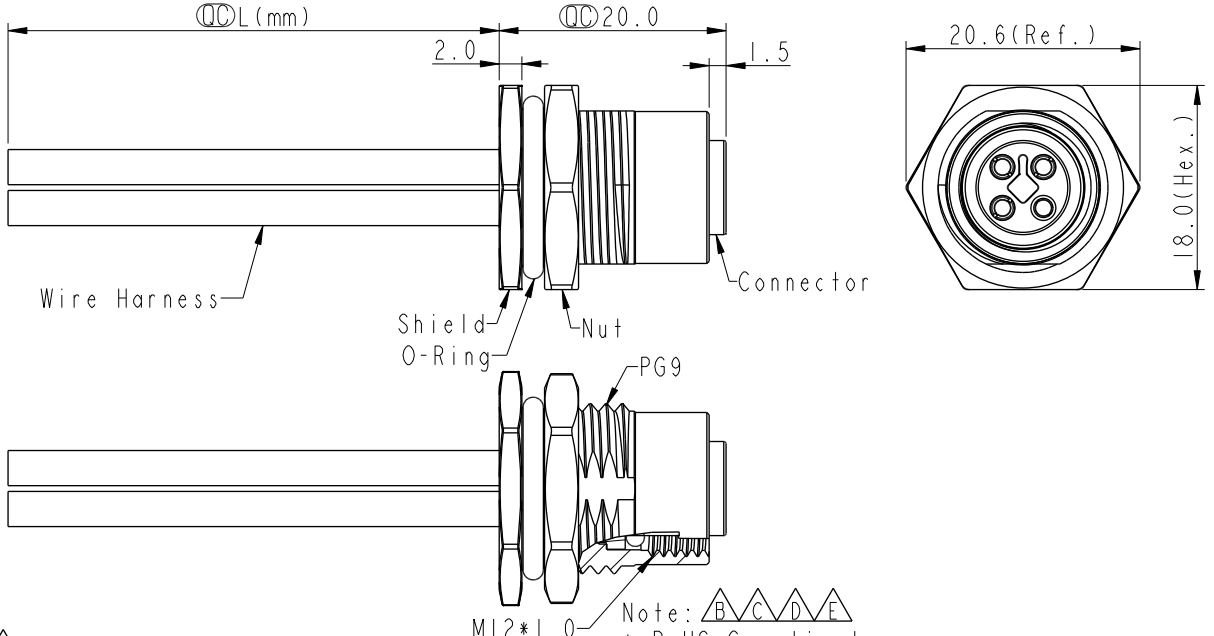
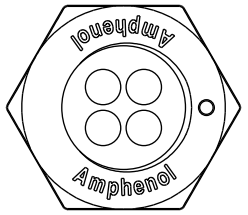


THIS DOCUMENT IS SUBJECT TO CHANGE WITHOUT NOTICE. IT IS CONFIDENTIAL AND A PROPERTY OF Amphenol LTW. DISCLOSURE TO THIRD PARTY HAS TO BE AUTHORIZED BY Amphenol LTW.

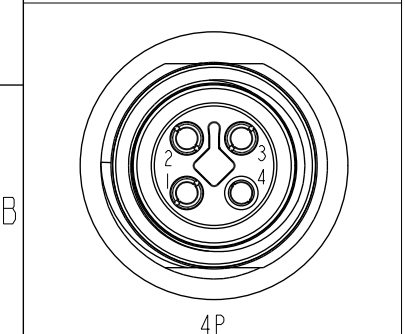
REV.	ECN NO.	DATE	SIGN	DESCRIPTION
E	C210593	2021/04/19	Ruru	△E X3
F	C221890	2022/12/29	Vicky	△F XI
G	C231037	2023/08/08	Vicky	△G XI



Recommended Panel Cut-Out



Pin #	Wire	Pin Out
4	Black	黑
3	Blue	藍
2	White	白
1	Brown	棕



Pin Assignments Front View

△B △C △E
 M12T-XXPFFS-SF8BXX
 XX: No. Of Pin

- 10: 100mm
- 15: 150mm
- 20: 200mm
- 95: 950mm
- Cable Pitch Unit: 50mm
- A0: 1000mm
- A5: 1500mm
- Cable Pitch Unit: 100mm
- Wire Length(L): 150~1500mm

- Note: △B △C △D △E
 * RoHS Compliant
 * (CC) Important dimension
 △F * Waterproof rate: IP68, unmated 1m/24h
 △G IP69K, mated
- * Connector
 - Housing: Thermoplastic, Black
 - Pin: Copper alloy, Gold plated
 - O-Ring: Rubber, Green
 - * Shield: Metal
 - * Nut: Metal
 - * O-Ring: Rubber, Black
 - * Wire harness: UL1015, 16AWG
 - * For panel thickness max: 4.5mm
 - * O-Ring and nut are assembled on connectors
 - * Wire harness tolerance: 100mm: ±10mm
 - 100mm < L ≤ 300mm: ±15mm
 - 300mm < L ≤ 1000mm: ±20mm
 - 1000mm < L ≤ 1500mm: ±50mm

UNIT: mm	
TOLERANCE	
.X	±0.25
.XX	±0.1
.XXX	±0.05
ANGLES	±1°

TITLE N SEN, M12 T, SCREW RECEPTACLE, F, F, SOLDER △C △E			
SCALE 2:1	SIZE A4	SHEET 1 OF 1	
REV. G	WC-REV. A.5	(CC): Inspection item	

Amphenol LTW
 安費諾亮泰企業股份有限公司

ITEM NO.	DRAWN BY Vicky	DATE 2019-09-19
DWG NO. △C M12T-XXPFFS-SF8BXX	CHECKED BY Rita	DATE 2019-09-19
CUSTOMER ALTW	APPROVED BY Max	DATE 2019-09-19