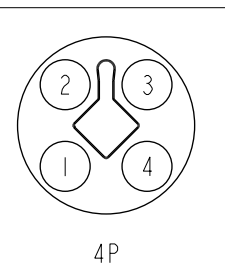
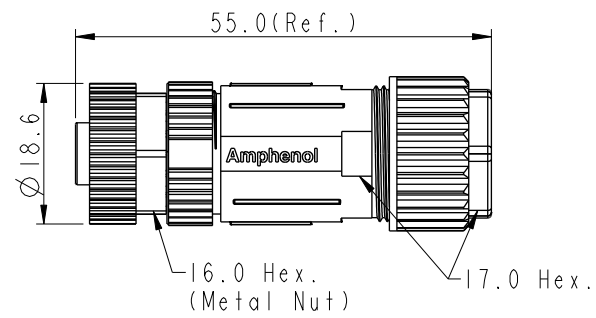
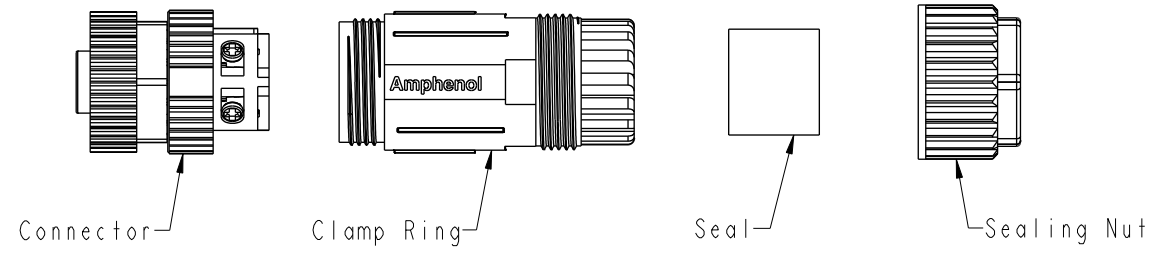


THIS DOCUMENT IS SUBJECT TO CHANGE WITHOUT NOTICE. IT IS CONFIDENTIAL AND A PROPERTY OF Amphenol LTW. DISCLOSURE TO THIRD PARTY HAS TO BE AUTHORIZED BY Amphenol LTW.

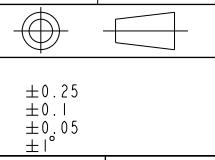
REV.	ECN NO.	DATE	SIGN	DESCRIPTION
D	C210025	2021/01/20	Vicky	$\triangle D$ X1
E	C210561	2021/04/19	Vicky	$\triangle E$ X2
F	C221890	2022/12/29	Vicky	$\triangle E$ X1

$\triangle C$ M12T-XXBFFB-SL7002
 XX: No. Of Pin



- $\triangle C \triangle E$
 Note:
 * RoHS Compliant
 * $\text{\textcircled{D}}$ Important Dimension
 $\triangle F$ * Waterproof rate: IP67, mated
 * Connector
 $\triangle B$ * Housing: Thermoplastic, Black
 * Pin: Copper alloy, Gold plated
 * Extension Nut: Thermoplastic, Black
 $\triangle D$ * Nut: Metal
 * O-Ring: Rubber, Gray
 * Clamp Ring: Thermoplastic, Black
 * Sealing Nut: Thermoplastic, Black
 * Seal: Rubber, Gray, OD: $\varnothing 8.0\text{mm} \sim \varnothing 10.0\text{mm}$
 * One set unassembled in one pe bag

UNIT:mm	$\text{\textcircled{+}}$	$\text{\textcircled{+}}$
TOLERANCE		
.X	± 0.25	
.XX	± 0.1	
.XXX	± 0.05	
ANGLES	$\pm 1^\circ$	



TITLE N SEN, M12 T, SCREW CABLE W/O SR, F, F, FI SCREW			
SCALE 1:1	SIZE A4	SHEET 1 OF 1	
REV. F	WC-REV. A.2	$\text{\textcircled{C}}$: Inspection item	

Amphenol LTW
 安費諾亮泰企業股份有限公司

ITEM NO	DWG NO $\triangle C$ M12T-XXBFFB-SL7002
CUSTOMER ALTW	

DRAWN BY Feng_Li	CHECKED BY Mafei
APPROVED BY Jerry	

DATE 2018-02-01	DATE 2018-02-01
DATE 2018-02-01	DATE 2018-02-01