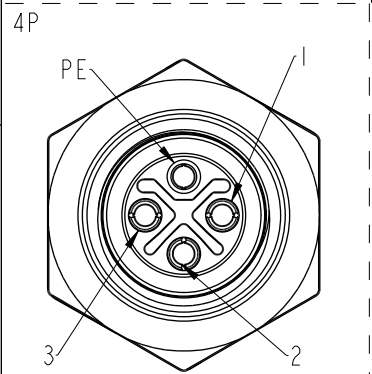
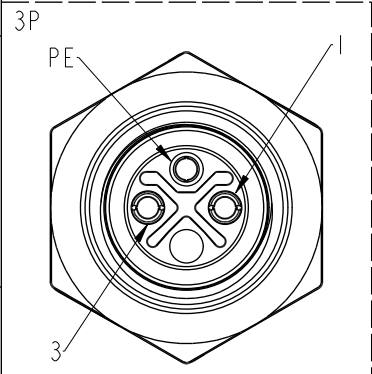
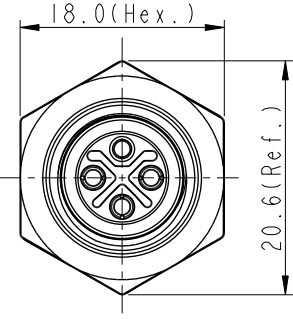
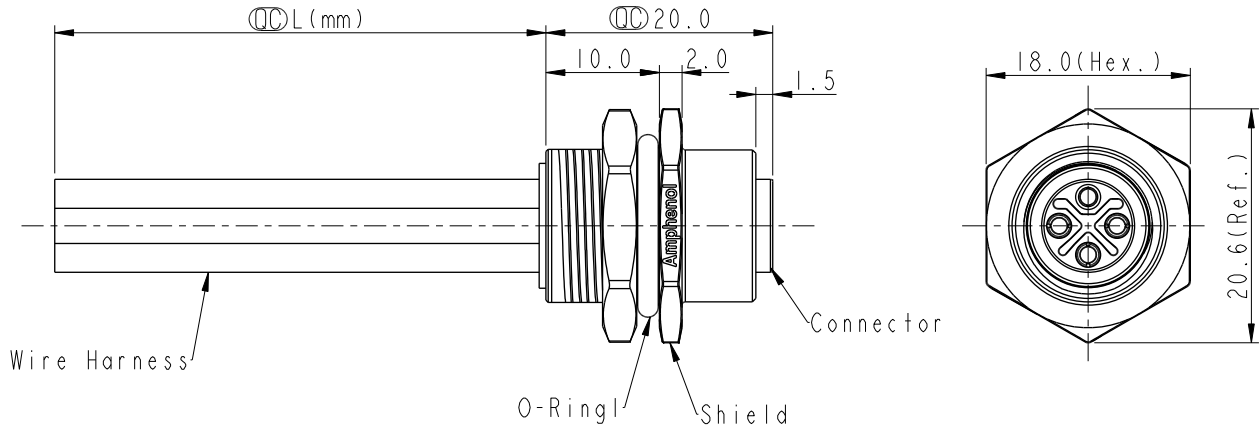


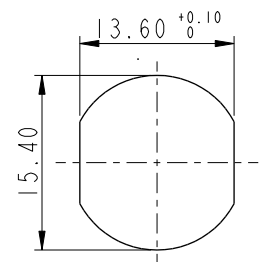
THIS DOCUMENT IS SUBJECT TO CHANGE WITHOUT NOTICE. IT IS CONFIDENTIAL AND A PROPERTY OF Amphenol LTW. DISCLOSURE TO THIRD PARTY HAS TO BE AUTHORIZED BY Amphenol LTW.

REV.	ECN NO.	DATE	SIGN	DESCRIPTION
E	C211579	2021/10/19	JC Chen	△ E X2
F	C230009	2023/01/03	Vicky	△ F X1
G	C231037	2023/08/08	Vicky	△ G X1

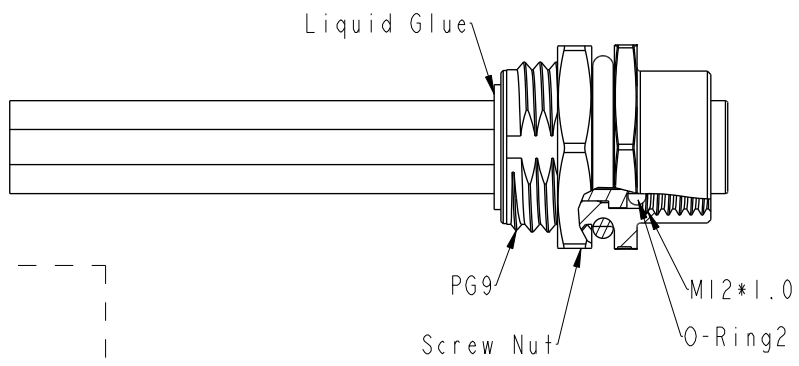


Pin Assignment Front View

△ E



Recommended Panel Cut-Out



Conn.	Wire Color	Conn.	Wire Color
3	Blue	3	Blue
2	White	2	
1	Brown	1	Brown
PE	Black	PE	Black
	黑		黑
	藍		藍
	白		
	棕		棕

Pin Out

UNIT: mm


TOLERANCE	
.X	±0.25
.XX	±0.1
.XXX	±0.05
ANGLES	±1°

TITLE N SEN, M12 S, SCREW RECEPTACLE, F, F, SOLDER △			
SCALE 2:1	SIZE A4	SHEET 1 OF 2	
REV. G	WC-REV. .0	QC: Inspection item	

Amphenol LTW
安費諾亮泰企業股份有限公司

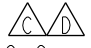
ITEM NO.	DRWN BY	DATE
DWG NO. M12S-XXPFFS-SH8BXX	Vicky	2019-09-19
CUSTOMER ALTW	CHECKED BY Rita	DATE 2019-09-19
	APPROVED BY Max	DATE 2019-09-19




DATE	2019-09-19
DATE	2019-09-19
DATE	2019-09-19


MI2S-XXPFFS-SH8BXX
 XX: No. Of Pin

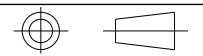
10: 100mm
 15: 150mm
 20: 200mm
 ↓
 95: 950mm
 Cable Pitch Unit: 50mm


A0: 1000mm
 ↓
 A5: 1500mm
 Cable Pitch Unit: 100mm
 Wire Length(L): 150~1500mm

Note: 

- * RoHS Compliant
- *  Important dimension
-  * Waterproof rate: IP68, unmated 1m/24h
 IP69K, mated
- * Connector
 Housing: Thermoplastic, Black
 Pin: Copper alloy, Gold plated
 O-Ring2: Rubber, Green
- * Shield: Metal
- * Nut: Metal
- * O-Ring1: Rubber, Black
- * Wire harness: UL1015, 16AWG
- * For panel thickness max: 4.5mm
- * O-Ring and nut are assembled on connectors
- * Wire harness tolerance: 100mm: ±10mm
 100mm < L ≤ 300mm: ±15mm
 300mm < L ≤ 1000mm: ±20mm
 1000mm < L ≤ 1500mm: ±50mm


UNIT: mm



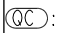
TITLE
N SEN, MI2 S, SCREW RECEPTACLE, F, F, SOLDER 

Amphenol LTW

安費諾亮泰企業股份有限公司

ITEM NO	DRAWN BY	DATE
DWG NO  MI2S-XXPFFS-SH8BXX	Vicky	2019-09-19
CUSTOMER	CHECKED BY	DATE
ALTW	Rita	2019-09-19
	APPROVED BY	DATE
	Max	2019-09-19

TOLERANCE	
.X	±0.25
.XX	±0.1
.XXX	±0.05
ANGLES	±1°

SCALE	SIZE	SHEET	OF	2	2
2:1	A4	2			
REV.	WC-REV.	 Inspection item			
G	.0				