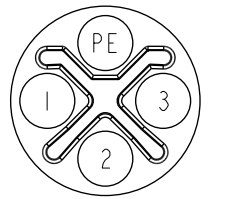
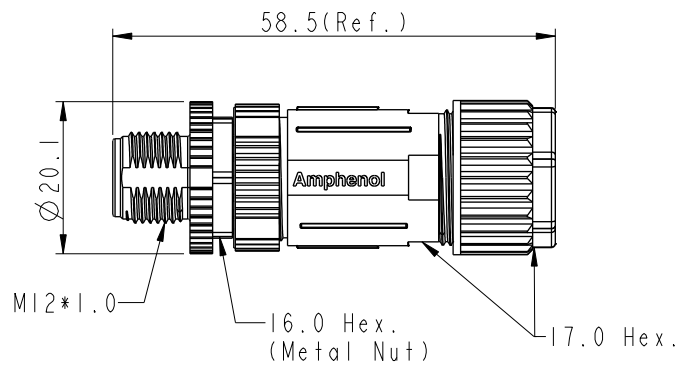
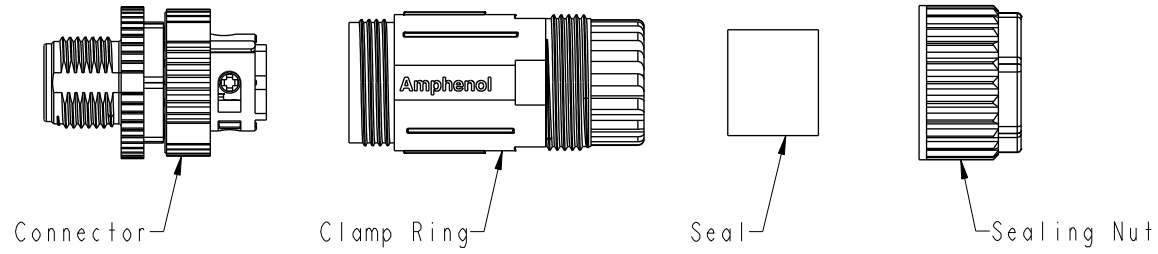


THIS DOCUMENT IS SUBJECT TO CHANGE WITHOUT NOTICE. IT IS CONFIDENTIAL AND A PROPERTY OF Amphenol LTW. DISCLOSURE TO THIRD PARTY HAS TO BE AUTHORIZED BY Amphenol LTW.

REV.	ECN NO.	DATE	SIGN	DESCRIPTION
B	C201469	2020/09/25	Ruru	$\triangle B$ X3
C	C210561	2021/04/19	Vicky	$\triangle C$ X2
D	C221877	2022/12/09	Ruru	$\triangle D$ X1

$\triangle B$
M12S-XXBMMB-SL7002

XX: No. Of Pin



Pin Assignments Front View

- $\triangle B$ $\triangle C$
Note:
- * RoHS Compliant
 - * \varnothing Important Dimension
 - $\triangle D$ * Waterproof rate: IP67, mated
 - * Connector
 - Housing: Thermoplastic, Black
 - Pin: Copper alloy, Gold plated
 - Extension Nut: Thermoplastic, Black
 - Nut: Metal
 - O-Ring: Rubber, Gray
 - * Clamp Ring: Thermoplastic, Black
 - * Sealing Nut: Thermoplastic, Black
 - * Seal: Rubber, Gray, OD: $\varnothing 8.0\text{mm} \sim \varnothing 10.0\text{mm}$
 - * One set unassembled in one pe bag

UNIT:mm		TITLE N SEN, M12 S, SCREW CABLE W/O SR, M, M, FI SCREW IN	$\triangle C$
TOLERANCE .X ± 0.25 .XX ± 0.1 .XXX ± 0.05 ANGLES $\pm 1^\circ$		SCALE 1:1 SIZE A4 SHEET 1 OF 1	
		REV. D WC-REV. A.1 \varnothing Inspection item	

Amphenol LTW
安費諾亮泰企業股份有限公司

ITEM NO	DRAWN BY Cary	DATE 2015-03-26
DWG NO $\triangle B$ M12S-XXBMMB-SL7002	CHECKED BY Lu Di	DATE 2015-03-26
CUSTOMER ALTW	APPROVED BY Jerry	DATE 2015-03-26