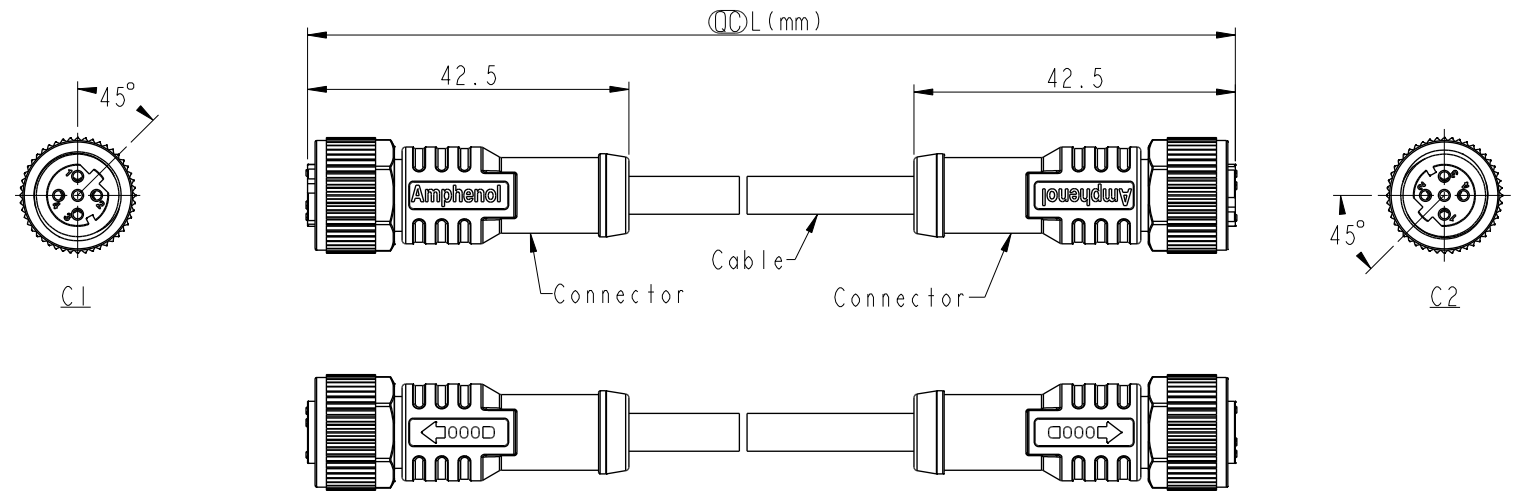


THIS DOCUMENT IS SUBJECT TO CHANGE WITHOUT NOTICE. IT IS CONFIDENTIAL AND A PROPERTY OF Amphenol LTW. DISCLOSURE TO THIRD PARTY HAS TO BE AUTHORIZED BY Amphenol LTW.

REV.	ECN NO.	DATE	SIGN	DESCRIPTION
B	C201784	2020/11/12	Ruru	\triangle_B X3
C	C210235	2021/03/25	Ruru	\triangle_C X2
D	C222002	2202/12/29	Ruru	\triangle_D X1



Pin Out	5 -- 4 Black 3 Blue 2 White 1 Brown	黑 藍 白 棕
	Pin #	Wire
C1 & C2		
	4P	

\triangle_B
MI2DXXFL-12DFL-SDXXX

XX: No. Of Pin

XXX: 0.5~99Meters
 A05: 0.5 Meter
 1: 01 Meter
 2: 02 Meters
 ...
 99: 99 Meters

- Note: $\triangle_B \triangle_C$
- * RoHS Compliant
 - * \varnothing Important dimension
 - \triangle_D * Waterproof rate: IP68, mated 1m/24h
IP69K, mated
 - * Connector:
 Housing: Thermoplastic, Black
 Pin: Copper alloy, Gold plated
 O-Ring: Rubber, Green
 Nut: Metal
 Outer mold: Thermoplastic, Black
 - * Cable: UL2517, 22#4C, OD=4.8mm, PVC Jacket, Black
 - * Cable length tolerance: 0.5M < L ≤ 1M: +60/-0 mm
 1M < L ≤ 3M: +120/-0 mm
 3M < L ≤ 5M: +160/-0 mm
 5M < L ≤ 10M: ±100 mm
 10M < L ≤ 20M: ±200 mm
 20M < L ≤ 30M: ±300 mm
 30M < L ≤ 99M: ±500 mm

Pin Assignments Front View

UNIT:mm	
TOLERANCE	± 0.5 mm

TITLE ACC, SEN, D Code, DB-ENDED FF \triangle_C			
SCALE 1:2	SIZE A4	SHEET 1 OF 1	
REV. D	WC-REV. A.5	\varnothing : Inspection item	

Amphenol LTW
安費諾亮泰企業股份有限公司

ITEM NO	DRAWN BY Ruru	DATE 2018-12-11
DWG NO \triangle_B MI2DXXFL-12DFL-SDXXX	CHECKED BY Rita	DATE 2018-12-11
CUSTOMER ALTW	APPROVED BY Max	DATE 2018-12-11