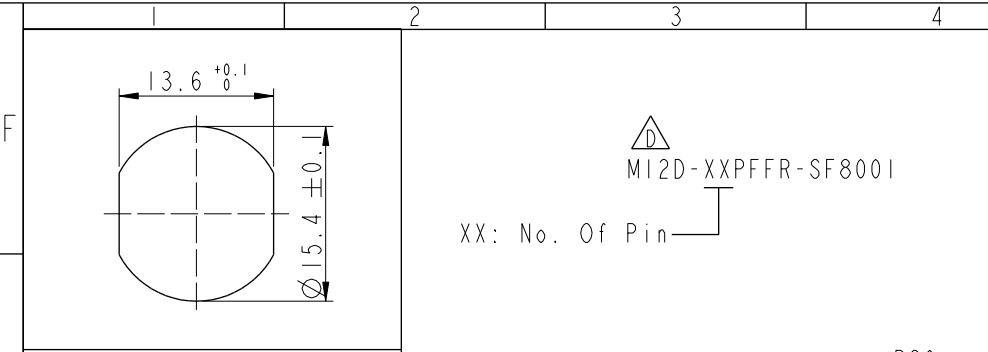
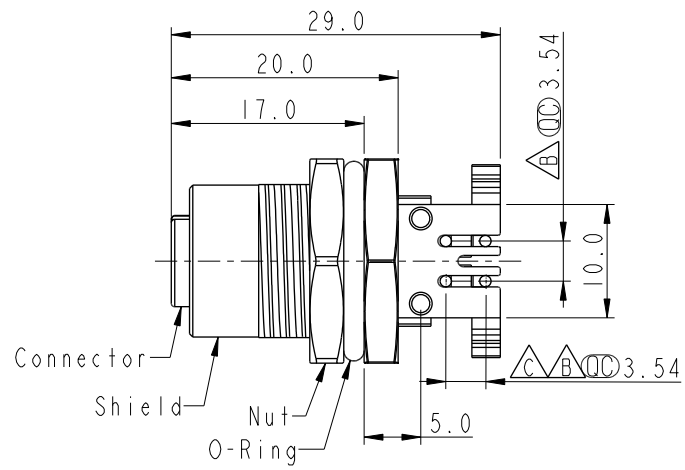
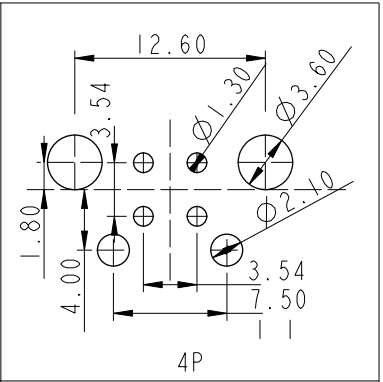
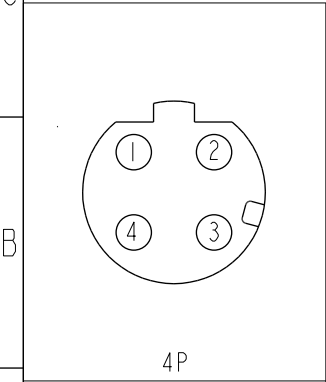
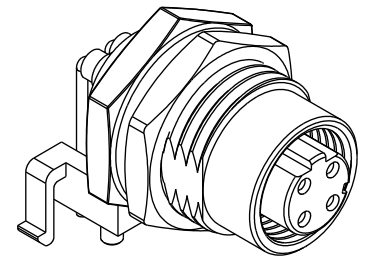
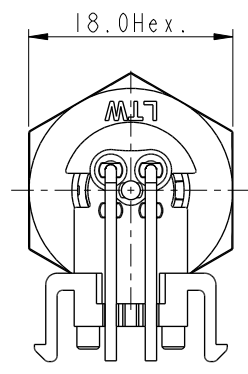
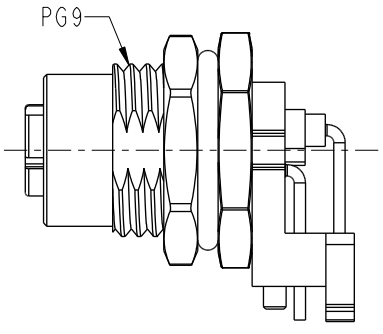
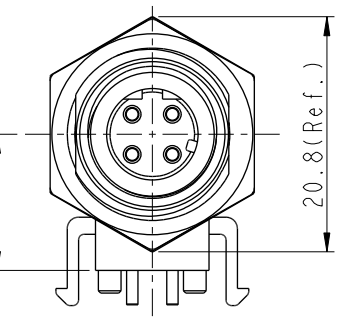


THIS DOCUMENT IS SUBJECT TO CHANGE WITHOUT NOTICE. IT IS CONFIDENTIAL AND A PROPERTY OF Amphenol LTW. DISCLOSURE TO THIRD PARTY HAS TO BE AUTHORIZED BY Amphenol LTW.

REV.	ECN NO.	DATE	SIGN	DESCRIPTION
E	C210309	2021/03/02	Ruru	△E X2
F	C221973	2022/12/26	Ruru	△F XI
G	C231034	2023/08/09	Ruru	△G XI



Recommended Panel Cut-Out



- △D△E Note:
- * RoHS Compliant
 - * Ⓞ Important dimension
 - * △F * Waterproof rate: IP68, unmated 1m/24h
 △G IP69K, mated
 - * Connector
 - Housing: Thermoplastic, Black
 - Pin: Copper alloy, Gold plated
 - O-Ring: Rubber, Gray
 - * Shield: Metal
 - * Nut: Metal
 - * O-Ring: Rubber, Black
 - * For panel thickness max: 4.5mm
 - * For pcb thickness max: 1.6mm
 - * Nut is packed separately in pe bag

UNIT:mm			TITLE N SEN, M12 D, SCREW RECEPTACLE, F, F, PCB R △D
TOLERANCE .X ±0.25 .XX ±0.1 .XXX ±0.05 ANGLES ±1°	SCALE 3:2	SIZE A4	SHEET 1 OF 1
REV. G	WC-REV. .0	Ⓞ Inspection item	

Amphenol LTW
安費諾亮泰企業股份有限公司

ITEM NO	DRAWN BY Gill Lai	DATE 2019/08/13
DWG NO △D M12D-XXPFFR-SF8001	CHECKED BY Sam Ho	DATE 2019/08/13
CUSTOMER ALTW	APPROVED BY Fred Lee	DATE 2019/08/13